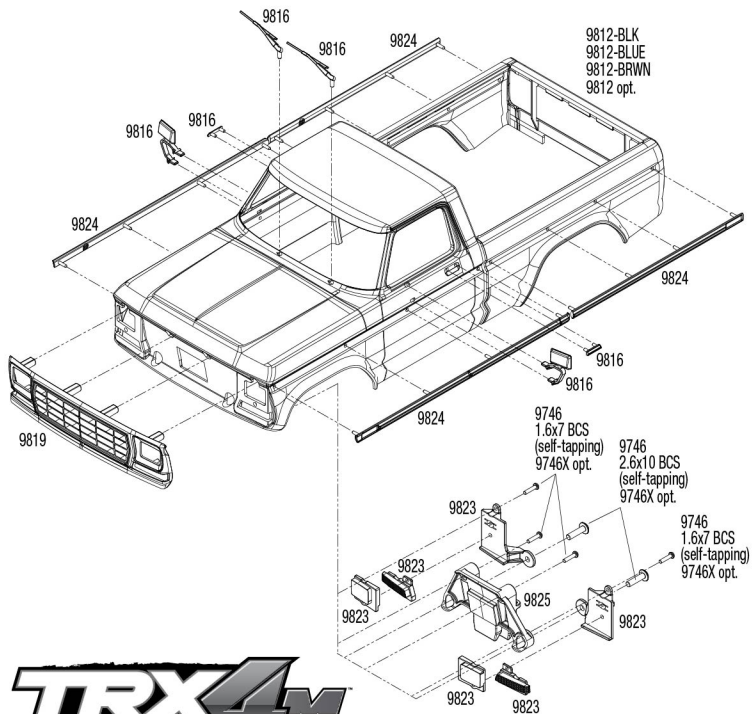
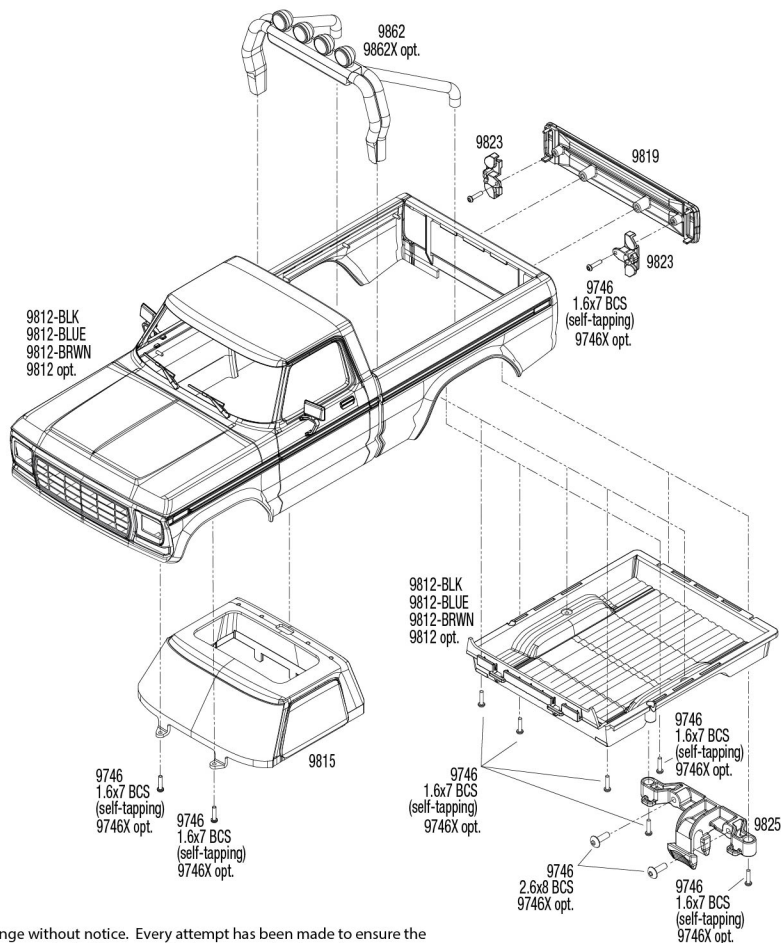


TRAXXAS



9812-BLK
9812-BLUE
9812-BRWN
9812 opt.



TRX4M Body Assembly

See Parts List for a complete listing of optional accessories.

Specifications on this page are subject to change without notice. Every attempt has been made to ensure the accuracy of this drawing; however, Traxxas cannot be held responsible for typographical or other errors.

