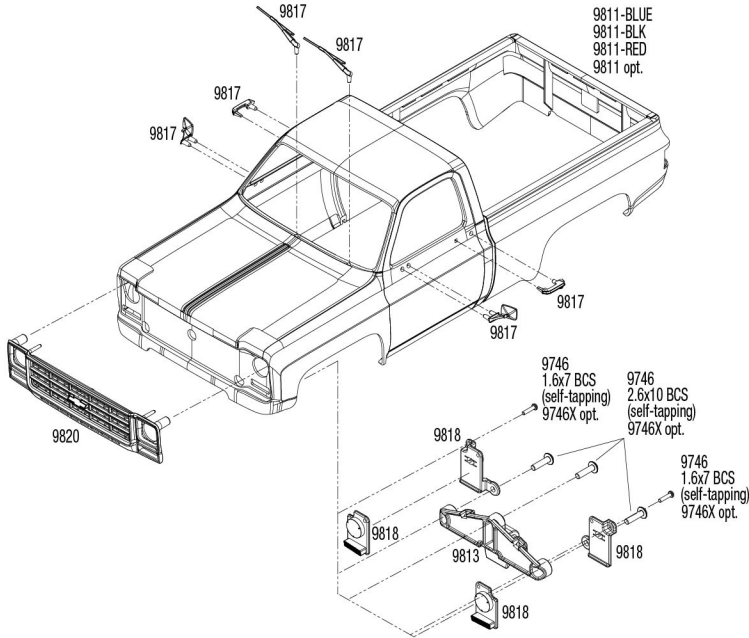
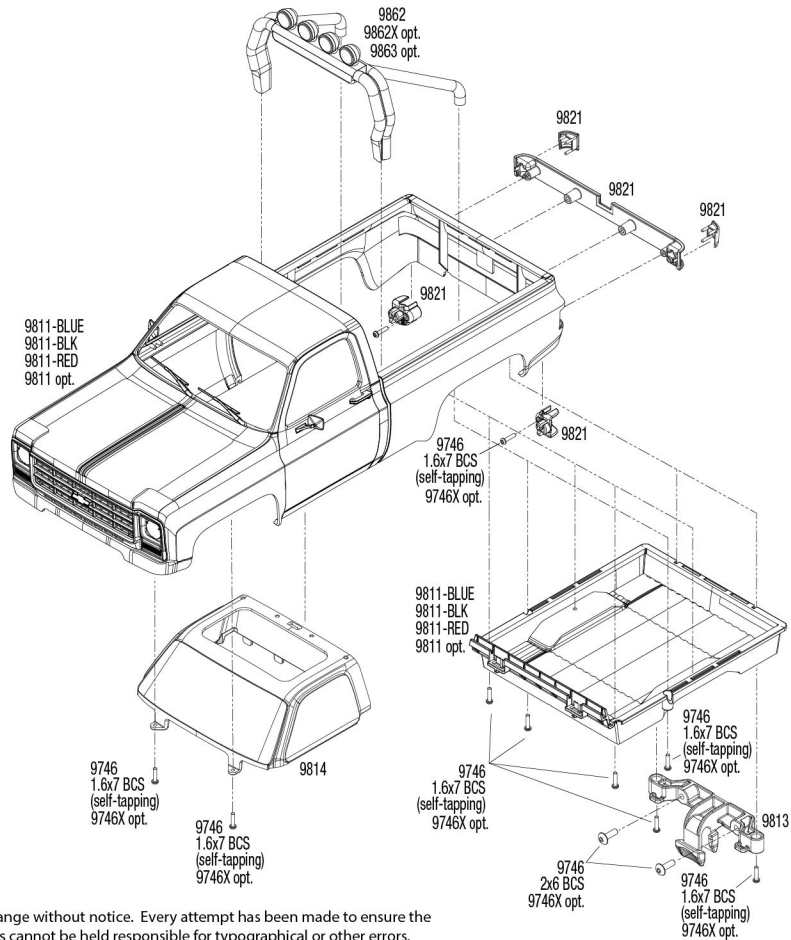


TRAXXAS



9811-BLUE
9811-BLK
9811-RED
9811 opt.



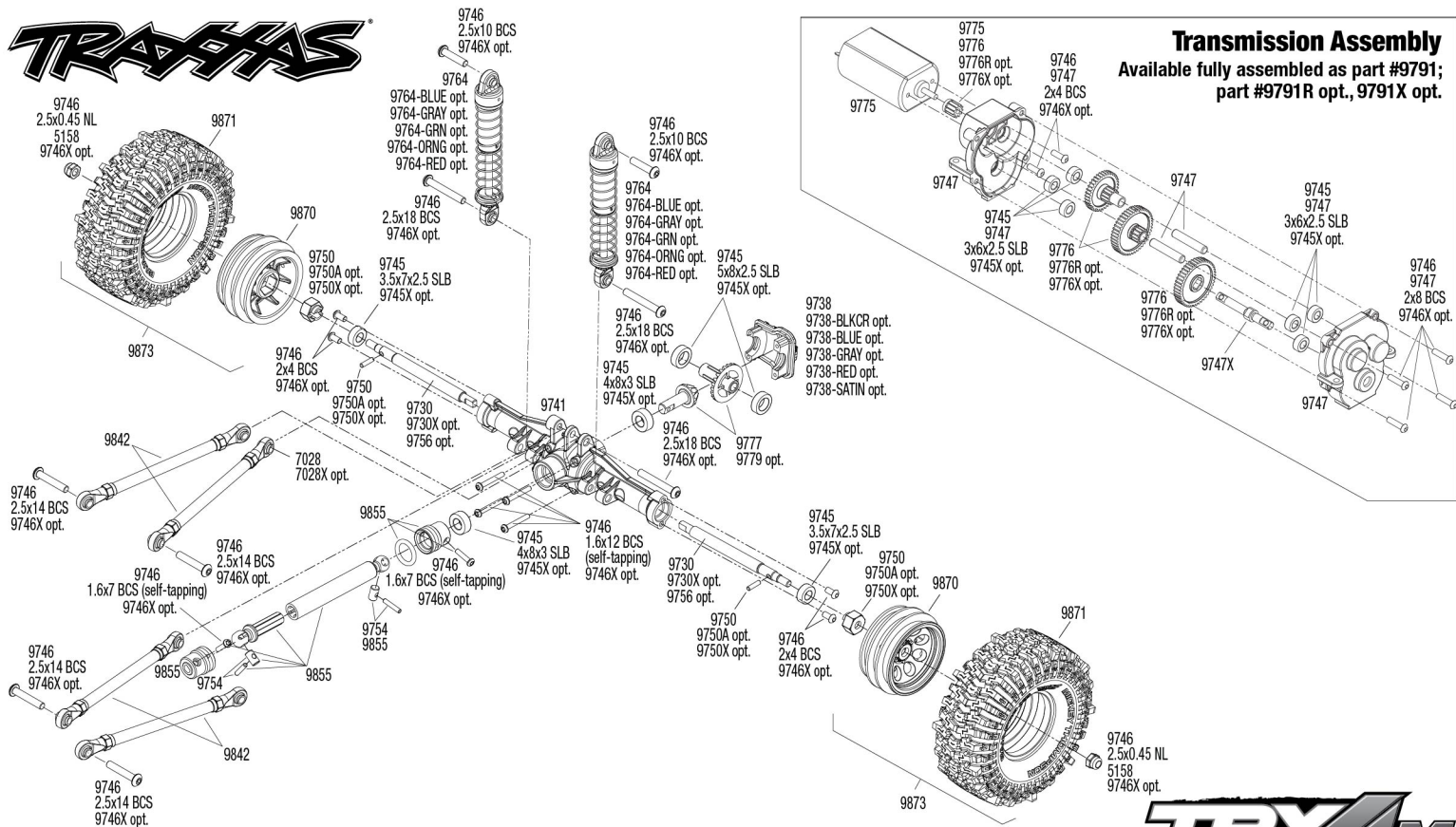
TRX4M

Body Assembly

REV 230907-R02
See Parts List for a complete
listing of optional accessories.

Specifications on this page are subject to change without notice. Every attempt has been made to ensure the accuracy of this drawing; however, Traxxas cannot be held responsible for typographical or other errors.

TRAXXAS



REV 230907-R02

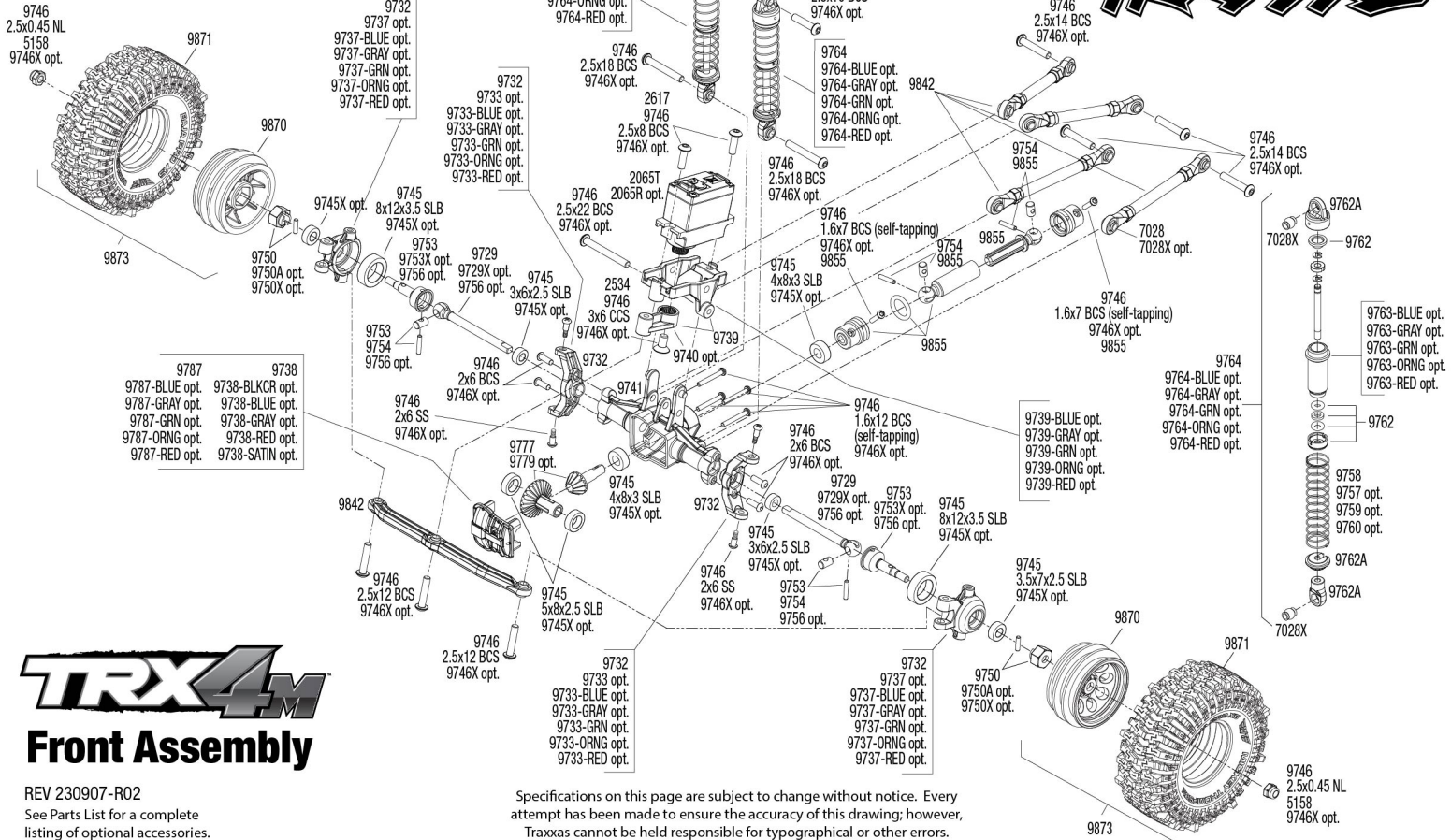
See Parts List for a complete listing of optional accessories.

Specifications on this page are subject to change without notice. Every attempt has been made to ensure the accuracy of this drawing; however, Traxxas cannot be held responsible for typographical or other errors.

TRX4M

Rear Assembly

TRAXXAS



TRX4M

Front Assembly

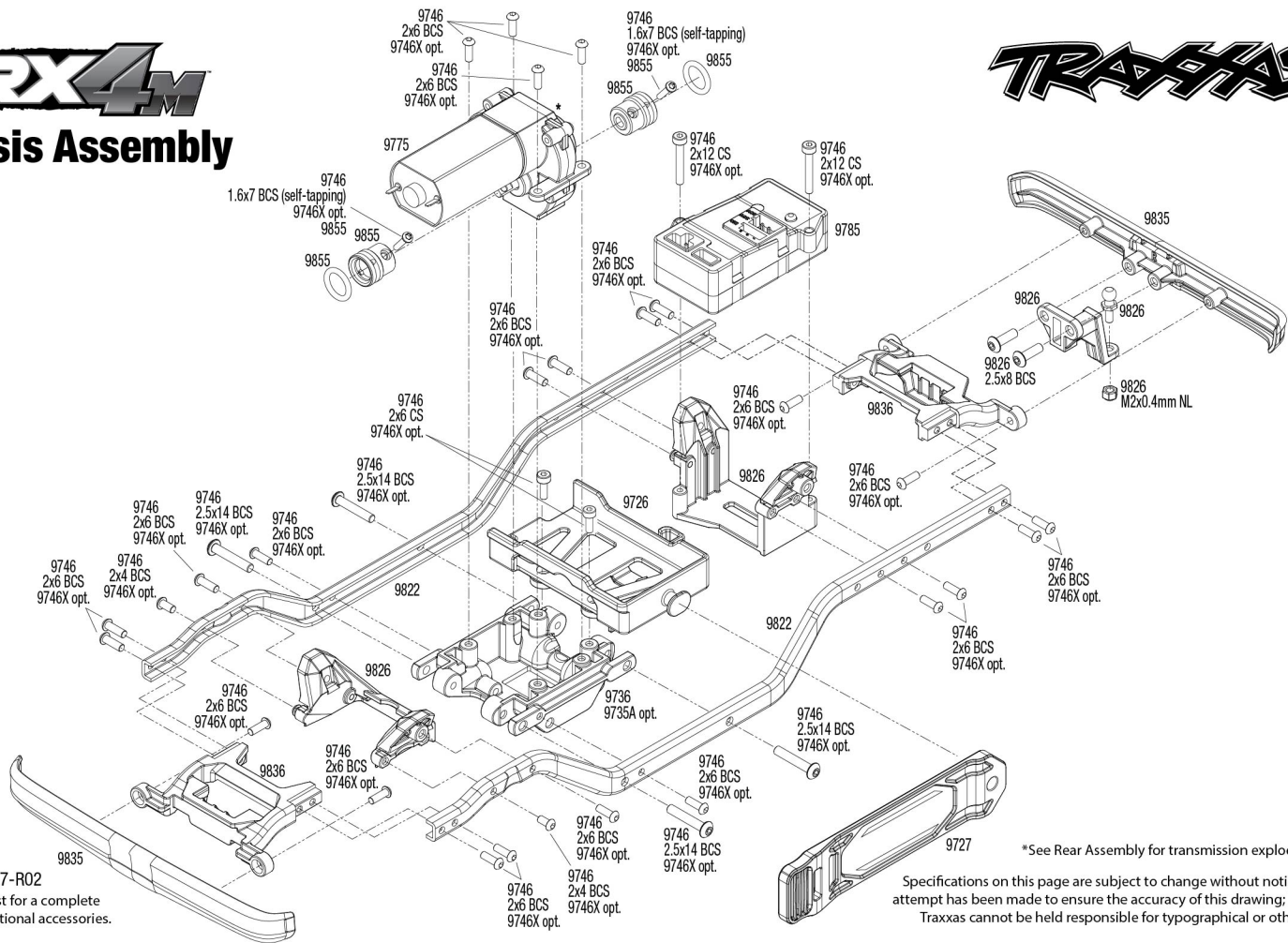
REV 230907-R02
See Parts List for a complete listing of optional accessories.

Specifications on this page are subject to change without notice. Every attempt has been made to ensure the accuracy of this drawing; however, Traxxas cannot be held responsible for typographical or other errors.

TRX4M

Chassis Assembly

TRAXXAS



REV 230907-R02

See Parts List for a complete listing of optional accessories.

*See Rear Assembly for transmission exploded view.

Specifications on this page are subject to change without notice. Every attempt has been made to ensure the accuracy of this drawing; however, Traxxas cannot be held responsible for typographical or other errors.

Page 2 TRX-4M™ 1/18 1979 Chevrolet® K10 High Trail Edition™ (Model 97064-1) Parts List

- 5029 Shock oil bottle (60cc) (for mixing shock oil)
- 5038X Shock oil set (includes 20 wt, 30 wt, 40 wt, 50 wt, 60 wt, 70 wt, & 80 wt premium shock oils with spinning carousel rack)
- 5038 Spinning carousel rack

Shocks

- 9763-BLUE Body, GTM shock, 6061-T6 aluminum (blue-anodized) (includes spring pre-load spacers) (2)
- 9763-GRAY Body, GTM shock, 6061-T6 aluminum (dark titanium-anodized) (includes spring pre-load spacers) (2)
- 9763-GRN Body, GTM shock, 6061-T6 aluminum (green-anodized) (includes spring pre-load spacers) (2)
- 9763-ORNG Body, GTM shock, 6061-T6 aluminum (orange-anodized) (includes spring pre-load spacers) (2)
- 9763-RED Body, GTM shock, 6061-T6 aluminum (red-anodized) (includes spring pre-load spacers) (2)
- 9761A Lower retainer, shock, brass (1 gram each) (4)
- 9762 Rebuild kit, GTM shock (o-rings, spacers, bladders, bottom caps) (renews 2 shocks)
- 9762A Shock cap (2)/ spring perch (2)/ rod end (2)/ spring preload spacer (4)
- 9764 Shocks, GTM (assembled w/o springs) (2)
- 9764-BLUE Shocks, GTM, 6061-T6 aluminum (blue-anodized) (fully assembled w/o springs) (4)
- 9764-GRAY Shocks, GTM, 6061-T6 aluminum (dark titanium-anodized) (fully assembled w/o springs) (4)
- 9764-GRN Shocks, GTM, 6061-T6 aluminum (green-anodized) (fully assembled w/o springs) (4)
- 9764-ORNG Shocks, GTM, 6061-T6 aluminum (orange-anodized) (fully assembled w/o springs) (4)
- 9764-RED Shocks, GTM, 6061-T6 aluminum (red-anodized) (fully assembled w/o springs) (4)
- 9757 Spring, shock (GTM) (0.072 rate) (1 pair)
- 9758 Spring, shock (GTM) (0.095 rate) (1 pair)
- 9759 Spring, shock (GTM) (0.123 rate) (1 pair)
- 9760 Spring, shock (GTM) (0.155 rate) (1 pair)

Springs

- 9757 Spring, shock (GTM) (0.072 rate) (1 pair)
- 9758 Spring, shock (GTM) (0.095 rate) (1 pair)
- 9759 Spring, shock (GTM) (0.123 rate) (1 pair)
- 9760 Spring, shock (GTM) (0.155 rate) (1 pair)

Steering Components

- 9733-BLUE Caster blocks, 6061-T6 aluminum (blue-anodized) (left & right)
- 9733-GRAY Caster blocks, 6061-T6 aluminum (dark titanium-anodized) (left & right)
- 9733-GRN Caster blocks, 6061-T6 aluminum (green-anodized) (left & right)
- 9733-ORNG Caster blocks, 6061-T6 aluminum (orange-anodized) (left & right)
- 9733-RED Caster blocks, 6061-T6 aluminum (red-anodized) (left & right)
- 9733 Caster blocks, brass (4 grams each) (left & right)
- 9737-BLUE Steering blocks, 6061-T6 aluminum (blue-anodized) (left & right)/ 2.5x12mm BCS (with threadlock) (2)/ 2x6mm SS (with threadlock) (4)
- 9737-GRAY Steering blocks, 6061-T6 aluminum (dark titanium-anodized) (left & right)/ 2.5x12mm BCS (with threadlock) (2)/ 2x6mm SS (with threadlock) (4)
- 9737-GRN Steering blocks, 6061-T6 aluminum (green-anodized) (left & right)/ 2.5x12mm BCS (with threadlock) (2)/ 2x6mm SS (with threadlock) (4)
- 9737-ORNG Steering blocks, 6061-T6 aluminum (orange-anodized) (left & right)/ 2.5x12mm BCS (with threadlock) (2)/ 2x6mm SS (with threadlock) (4)
- 9737-RED Steering blocks, 6061-T6 aluminum (red-anodized) (left & right)/ 2.5x12mm BCS (with threadlock) (2)/ 2x6mm SS (with threadlock) (4)
- 9737 Steering blocks, brass (7 grams each) (left & right)/ 2.5x12mm BCS (with threadlock) (2)/ 2x6mm SS (with threadlock) (4)
- 9732 Steering blocks, left & right/ caster blocks (c-hubs), left or right (2)
- 9748-BLUE Steering link, 6061-T6 aluminum (blue-anodized)/ servo horn, metal/ spacers (2)/ 3x6mm CCS (with threadlock) (1)/ 2.5x7mm SS (with threadlock) (1)
- 9748-GRAY Steering link, 6061-T6 aluminum (dark titanium-anodized)/ servo horn, metal/ spacers (2)/ 3x6mm CCS (with threadlock) (1)/ 2.5x7mm SS (with threadlock) (1)
- 9748-GRN Steering link, 6061-T6 aluminum (green-anodized)/ servo horn, metal/ spacers (2)/ 3x6mm CCS (with threadlock) (1)/ 2.5x7mm SS (with threadlock) (1)
- 9748-ORNG Steering link, 6061-T6 aluminum (orange-anodized)/ servo horn, metal/ spacers (2)/ 3x6mm CCS (with threadlock) (1)/ 2.5x7mm SS (with threadlock) (1)
- 9748-RED Steering link, 6061-T6 aluminum (red-anodized)/ servo horn, metal/ spacers (2)/ 3x6mm CCS (with threadlock) (1)/ 2.5x7mm SS (with threadlock) (1)

- 9842 Suspension link set, complete (front & rear) (includes steering link (1), front lower links (2), front upper links (2), rear links (4)) (assembled with hollow balls) (fits 1/18 scale vehicles with long wheelbase)

Suspension Linkage

- 7028 Hollow balls (20)
- 7028X Hollow balls, steel (machined) (22)
- 7059 Rod ends (8)/ hollow balls (8) (fits 1/16 and 1/18 accessory suspension links)
- 9842 Suspension link set, complete (front & rear) (includes steering link (1), front lower links (2), front upper links (2), rear links (4)) (assembled with hollow balls) (fits 1/18 scale vehicles with long wheelbase)

Team Traxxas Items

- 9916 Backpack, RC car carrier, 12" x 12" x 24" (fits TRX-4 & similar)
- 2514 Decal sheet, racing sponsors
- 9917 Duffel bag, medium, 30" x 12" x 12" (fits 1/10 Slash®, TRX-4®, & similar)
- 9950 Official Team Traxxas® racing decal set(flag logo/ 6-color)
- 9909 Traxxas® racing banner, red & black (3x7 feet)

Tires & Wheels

- 9774 Tires & wheels, assembled (black 1.0" wheels, BFGoodrich® Mud-Terrain™ T/A® KM3 2.2x1.0" tires) (2)
- 9773 Tires & wheels, assembled (black 1.0" wheels, Canyon Trail 2.2x1.0" tires) (2)
- 9873 Tires & wheels, assembled (chrome 1.0" wheels, Mickey Thompson® Baja Pro™ Xs 2.4x1.0" tires) (2)
- 9771 Tires, BFGoodrich® Mud-Terrain™ T/A® KM3 2.2x1.0" (2)
- 9769 Tires, Canyon Trail 2.2x1.0" (2)
- 9782 Tires, Mickey Thompson® Baja Pro™ X 2.2x1.0" (2)
- 9871 Tires, Mickey Thompson® Baja Pro™ Xs 2.4x1.0" (2)
- 9750 Wheel hubs, 7mm hex (4)/ axle pins (8)
- 9750A Wheel hubs, 7mm hex (steel) (4)/ axle pins (8)
- 9750X Wheel hubs, 7mm hex, brass (1 gram each) (4)/ axle pins (8)
- 9780 Wheel weights, brass (31 grams each) (2) (requires #9781 series wheels)
- 9768-BLKCR Wheels, 1.0" (black chrome) (2)
- 9770-BLKCR Wheels, 1.0" (black chrome) (2)
- 9770 Wheels, 1.0" (black) (2)
- 9768 Wheels, 1.0" (black) (2)
- 9870 Wheels, 1.0" (chrome) (2)
- 9768-SATIN Wheels, 1.0" (satin chrome) (2)
- 9770-SATIN Wheels, 1.0" (satin chrome) (2)
- 9781 Wheels, 1.0", Method Race Wheels® 105 Beadlock (black, beadlock) (2)
- 9781-BLKBL Wheels, 1.0", Method Race Wheels® 105 Beadlock (satin black chrome with blue beadlock) (2)
- 9781-SATIN Wheels, 1.0", Method Race Wheels® 105 Beadlock (satin chrome, beadlock) (2)

Transmission Components

- 9745R Ball bearing kit, transmission, black rubber sealed (contains 3x6x2.5mm bearings (6))
- 9776 Gear set, transmission, high range (trail) (16.6:1 reduction ratio)/ pinion gear, 11-tooth
- 9776R Gear set, transmission, low range (crawl) (40.3:1 reduction ratio)/ pinion gear, 11-tooth
- 9776X Gear set, transmission, speed (9.7:1 reduction ratio)/ pinion gear, 11-tooth
- 9747 Gearbox housing (front & rear)/ 2x4mm BCS (with threadlock) (2)/ 2x8mm BCS (4)/ 3x6x2.5mm bushings, self-lubricating (6)/ 3x16mm pins (2)
- 9747X Output shaft, transmission
- 9791 Transmission, complete (high range (trail) gearing) (16.6:1 reduction ratio) (assembled with ball bearings) (includes Titan® 87T motor)
- 9791R Transmission, complete (low range (crawl) gearing) (40.3:1 reduction ratio) (assembled with ball bearings) (includes Titan® 87T motor)
- 9791X Transmission, complete (speed gearing) (9.7:1 reduction ratio) (assembled with ball bearings) (includes Titan® 87T motor)

Traxxas Tools

- 3433X Body reamer (aluminum handle)
- 3433 Body reamer (plastic handle)
- 3436 Cap, body reamer
- 3432 Scissors, curved tip
- 3431 Scissors, straight tip
- 8712 Speed Bit Essentials Set, hex and nut driver, 7-piece, includes premium handle (medium), travel pouch, hex drivers (straight: 1.5mm, 2.0mm, 2.5mm) and nut drivers (5.0mm, 5.5mm, 7.0mm, and 8.0mm), 1/4" drive
- 8720 Speed bit handle, large (overmolded)
- 8721 Speed bit handle, medium (one piece)
- 8722 Speed bit handle, premium (rubber overmold)

Page 3 TRX-4M™ 1/18 1979 Chevrolet® K10 High Trail Edition™ (Model 97064-1) Parts List

- 8710 Speed Bit Master Set, hex and nut driver, 13-piece, includes premium handle (medium), travel pouch, hex drivers (straight: 1.5mm, 2.0mm, 2.5mm, 3.0mm), (ball-end: 2.0mm, 2.5mm, 3.0mm), and nut drivers (4.0mm, 4.5mm, 5.0mm, 5.5mm, 7.0mm, 8.0mm), 1/4" drive
- 8711 Speed Bit Master Set, hex driver, 7-piece straight and ball end, includes premium handle (medium), travel pouch, hex drivers (straight: 1.5mm, 2.0mm, 2.5mm, 3.0mm) (ball end: 2.0mm, 2.5mm, 3.0mm), 1/4" drive
- 8719 Speed Bit Master Set, nut driver, 6-piece, includes premium handle (medium), travel pouch, and nut drivers (4.0mm, 4.5mm, 5.0mm, 5.5mm, 7.0mm, 8.0mm), 1/4" drive
- 8716 Speed Bit Set, hex driver, 2-piece ball-end (2.0mm, 2.5mm), 1/4" drive
- 8716X Speed Bit Set, hex driver, 3-piece ball-end (2.0mm, 2.5mm, 3.0mm) 1/4" drive
- 8715 Speed Bit Set, hex driver, 3-piece straight (1.5mm, 2.0mm, 2.5mm), 1/4" drive
- 8715X Speed Bit Set, hex driver, 4-piece straight (1.5mm, 2.0mm, 2.5mm, 3.0mm), 1/4" drive
- 8714 Speed Bit Set, screwdriver, 3-piece straight (3mm slotted, #1 Phillips, and #2 Phillips bits), 1/4" drive
- 2748R Tool set (includes 1.5mm hex wrench / 2.0mm hex wrench / 2.5mm hex wrench/ 4-way wrench/ 8mm & 4mm wrench/ U-joint wrench)
- 3415 Tool set with pouch (includes 1.5mm, 2.0mm, 2.5mm, 3.0mm, 3.5mm, 4mm drivers/4mm, 5mm, 5.5mm, 7mm, and 8mm nut drivers/ 2mm, 3mm, and 4mm slotted screwdrivers/ #00 Phillips, #0 Phillips, and #1 Phillips screwdrivers/ 4mm and 8mm wrenches/ driver handle)

If you have questions or need technical assistance, call Traxxas at:

1-888-TRAXXAS

(1-888-872-9927) (U.S. residents only)

For orders, calls outside the U.S., and other information, call 972-549-3000,
or fax to 972-549-3011 e-mail Traxxas at support@Traxxas.com

TRAXXAS.COM