



# TRX-4® 1972 Chevrolet® Blazer® High Trail Edition™ (Model 92086-4) Parts List

Parts shown in bold are optional accessories. Part categories and individual part listings are arranged alphabetically.

## Axle Components

8241	Axle housing, front
8242	Axle housing, intermediate (TRX-6™) or rear (TRX-4®)
8227	Axle mount set (complete) (front & rear) (for suspension links)
8228	Axle shaft, front (left)/ drive pin/ cross pin
8229	Axle shaft, front (right)/ drive pin/ cross pin
<b>8060</b>	<b>Axle shaft, front, heavy duty (left &amp; right) (requires #8064 front portal drive input gear)</b>
<b>8062</b>	<b>Axle shaft, front, heavy duty (left &amp; right)/ portal drive input gear, front (machined) (2) (assembled)</b>
8230	Axle shaft, rear (left)
8231	Axle shaft, rear (right)
<b>8063</b>	<b>Axle shaft, rear, heavy duty (left &amp; right) (requires #8065 rear portal drive input gear)</b>
<b>8061</b>	<b>Axle shaft, rear, heavy duty (left &amp; right)/ portal drive input gear, rear (machined) (2) (assembled)</b>
8147	Cable, T-lock (medium) (for use with TRX-4® Long Arm Lift Kit)
8148	Cable, T-lock, extra long (193mm) (for use with TRX-4® Long Arm Lift Kit)
8233	Cross pin (2)/ drive pin (2) (to rebuild front axle shafts)
8256	Portal drive axle mount, rear (left & right)
<b>8256X</b>	<b>Portal drive axle mount, rear, 6061-T6 aluminum (blue-anodized) (left and right)/ 2.5x16 CS (4)</b>
<b>8256A</b>	<b>Portal drive axle mount, rear, 6061-T6 aluminum (charcoal gray-anodized) (left and right)/ 2.5x16 CS (4)</b>
<b>8256G</b>	<b>Portal drive axle mount, rear, 6061-T6 aluminum (green-anodized) (left and right)/ 2.5x16 CS (4)</b>
<b>8256R</b>	<b>Portal drive axle mount, rear, 6061-T6 aluminum (red-anodized) (left and right)/ 2.5x16 CS (4)</b>
8252	Portal drive housing, inner, front (left & right)/ 2.5x4 BCS (6)
8253	Portal drive housing, inner, rear (left or right) (2)
8251	Portal drive housing, outer (front or rear) (2)
<b>8064</b>	<b>Portal drive input gear, front (machined) (left or right) (requires #8060 front axle shaft)</b>
8257	Portal drive input gear, front/ drive pin/ cross pin
8259	Portal drive input gear, rear
<b>8065</b>	<b>Portal drive input gear, rear (machined) (left or right) (requires #8063 rear axle)</b>
8258	Portal drive output gear, front or rear
<b>8252X</b>	<b>Portal housings, inner (front), 6061-T6 aluminum (blue-anodized) (2)/ 3x12 BCS (2)</b>
<b>8252A</b>	<b>Portal housings, inner (front), 6061-T6 aluminum (charcoal gray-anodized) (2)/ 3x12 BCS (2)</b>
<b>8252G</b>	<b>Portal housings, inner (front), 6061-T6 aluminum (green-anodized) (2)/ 3x12 BCS (2)</b>
<b>8252R</b>	<b>Portal housings, inner (front), 6061-T6 aluminum (red-anodized) (2)/ 3x12 BCS (2)</b>
<b>8253X</b>	<b>Portal housings, inner (rear), 6061-T6 aluminum (blue-anodized) (2)/ 2.5x10 CS (2)</b>
<b>8253A</b>	<b>Portal housings, inner (rear), 6061-T6 aluminum (charcoal gray-anodized) (2)/ 2.5x10 CS (2)</b>
<b>8253G</b>	<b>Portal housings, inner (rear), 6061-T6 aluminum (green-anodized) (2)/ 2.5x10 CS (2)</b>
<b>8253R</b>	<b>Portal housings, inner (rear), 6061-T6 aluminum (red-anodized) (2)/ 2.5x10 CS (2)</b>
<b>8251X</b>	<b>Portal housings, outer, 6061-T6 aluminum (blue-anodized) (2)/ 2.5x10 CS (12)</b>
<b>8251A</b>	<b>Portal housings, outer, 6061-T6 aluminum (charcoal gray-anodized) (2)/ 2.5x10 CS (12)</b>
<b>8251G</b>	<b>Portal housings, outer, 6061-T6 aluminum (green-anodized) (2)/ 2.5x10 CS (12)</b>
<b>8251R</b>	<b>Portal housings, outer, 6061-T6 aluminum (red-anodized) (2)/ 2.5x10 CS (12)</b>
8255A	Stub axle, extended thread (portal drive) (2)
<b>8267</b>	<b>Weight, portal housing, brass (2) (34 grams)/ 2.5x8 CS (6) (requires #8251X, 8251R, 8251A, or 8251G outer portal housing)</b>

## Bearings & Bushings

<b>8214</b>	<b>Ball bearing kit, stainless steel, TRX-4® (complete)</b>
<b>8265</b>	<b>Ball bearing kit, TRX-4® (complete)</b>
5119A	Ball bearings, black rubber sealed (10x15x4mm) (2)
5120A	Ball bearings, black rubber sealed (12x18x4mm) (2)
5104A	Ball bearings, black rubber sealed (4x10x4mm) (2)
5115A	Ball bearings, black rubber sealed (5x10x4mm) (2)
5116A	Ball bearings, black rubber sealed (5x11x4mm) (2)

5114A	Ball bearings, black rubber sealed (5x8x2.5mm) (2)
5117A	Ball bearings, black rubber sealed (6x12x4mm) (2)
5180A	Ball bearings, black rubber sealed (6x13x5mm) (2)
5103A	Ball bearings, black rubber sealed (7x14x5mm) (2)

## Body (1969 Chevrolet® Blazer)

<b>9131</b>	<b>Body, Chevrolet Blazer (1969) (clear, requires painting)/ decals/ window masks (includes grille, side mirrors, door handles, windshield wipers, clipless mounting, hardware) (requires #8072X inner fenders)</b>
<b>9131-BLK</b>	<b>Body, Chevrolet Blazer (1969), complete, black (painted) (includes grille, side mirrors, door handles, windshield wipers, front &amp; rear bumpers, clipless mounting) (requires #8072X inner fenders)</b>
<b>9125</b>	<b>Bumper pads/ bumper guards (chrome)/ 2.5x12 BCS (4)/ 2.7mm drill bit (fits #9126 or #9127 front bumpers)</b>
<b>9127</b>	<b>Bumper, front (chrome)/ bumper mount/ 3x10 BCS (2)</b>
<b>9124</b>	<b>Bumper, rear (chrome)/ bumper mount/ 3x10 BCS (2)</b>
<b>9113</b>	<b>Decal sheets, Chevrolet Blazer (1969 - 1972)</b>
<b>6593</b>	<b>Distribution block, Pro Scale® Advanced Lighting Control System</b>
<b>9115</b>	<b>Door handles, left, right, and rear/ retainers (3)/ windshield wipers, left &amp; right/ retainer (1)/ fuel cap/ fuel flange/ fuel cap mount/ 1.6x5 BCS (self-tapping) (7)/ 2.6x8 BCS (1)</b>
<b>9123</b>	<b>Grille, Chevrolet Blazer (1969 - 1970)/ grille retainers (5)/ headlight housing (2)/ headlight lens (2)/ turn signal lens (2)/ hood emblem/ hood emblem mount/ 2.6x8 BCS (5)/ 2.5x6 BCS (4)/ 1.6x5 BCS (self-tapping) (2) (fits #9112 body)</b>
<b>8091</b>	<b>Installation kit, Pro Scale® Advanced Lighting Control System, TRX-4® Chevrolet Blazer (1969 &amp; 1972) (includes mount, reverse lights and turn signal harnesses, hardware)</b>
<b>9114-BLK</b>	<b>Interior, Chevrolet Blazer (1969 -1972) (black) (includes rollbar, gauge bezel, steering wheel and column, shifter, armrest, decals) (fits #9111, 9112, 9130, or 9131 series bodies) (#9111 or 9112 series bodies require #9128 body cage for installation)</b>
<b>9114-BLUE</b>	<b>Interior, Chevrolet Blazer (1969 -1972) (blue) (includes rollbar, gauge bezel, steering wheel and column, shifter, armrest, decals) (fits #9111, 9112, 9130, or 9131 series bodies) (#9111 or 9112 series bodies require #9128 body cage for installation)</b>
<b>9114</b>	<b>Interior, Chevrolet Blazer (1969 -1972) (clear, requires painting) (includes rollbar, gauge bezel, steering wheel and column, shifter, armrest, decals) (fits #9111, 9112, 9130, or 9131 series bodies) (#9111 or 9112 series bodies require #9128 body cage for installation)</b>
<b>8090</b>	<b>LED light set, complete with power supply (contains headlights, tail lights, side marker lights, &amp; distribution block) (fits #9111 or 9112 body)</b>
<b>9116</b>	<b>Marker light housing (4)/ marker light mount (4)/ marker light lens (red (2), amber (2))/ reverse lens (left &amp; right)/ 1.6x5 BCS (self-tapping) (8)</b>
<b>9121</b>	<b>Mirrors, side, chrome (left &amp; right)/ o-rings (4)/ body clips (4) (fits #9112 body)</b>
<b>6592</b>	<b>Power module, Pro Scale® Advanced Lighting Control System (includes mount, communication cables, hardware)</b>
<b>6591</b>	<b>Pro Scale® Advanced Lighting Control System (includes power module &amp; distribution block)</b>
<b>8090X</b>	<b>Pro Scale® LED light set, TRX-4® Chevrolet Blazer (1969 &amp; 1972), complete with power module (contains headlights, tail lights, side marker lights, &amp; distribution block) (fits #9111 or 9112 body)</b>
<b>6594</b>	<b>Receiver communication cable, Pro Scale® Advanced Lighting Control System</b>
<b>9122</b>	<b>Tail light housing, black (2)/ lens (2)/ retainers (left &amp; right)/ 2.6x8 BCS (self-tapping) (4)</b>

## Body (1972 Chevrolet® Blazer)

9128	Body cage/ body mounts (front & rear)/ body mount latch (2)/ 3x8mm BCS (15) (fits #9111 or 9112 bodies)
<b>9130</b>	<b>Body, Chevrolet Blazer (1972) (clear, requires painting)/ decals/ window masks (includes grille, side mirrors, door handles, windshield wipers, clipless mounting, hardware) (requires #8072X inner fenders)</b>
<b>9130-BLWT</b>	<b>Body, Chevrolet Blazer (1972), complete, blue &amp; white (painted) (includes grille, side mirrors, door handles, windshield wipers, front &amp; rear bumpers, clipless mounting) (requires #8072X inner fenders)</b>

- 9130-BLUE Body, Chevrolet Blazer (1972), complete, blue (painted) (includes grille, side mirrors, door handles, windshield wipers, front & rear bumpers, clipless mounting) (requires #8072X inner fenders)
- 9130-RED Body, Chevrolet Blazer (1972), complete, red (painted) (includes grille, side mirrors, door handles, windshield wipers, front & rear bumpers, clipless mounting) (requires #8072X inner fenders)
- 9125 Bumper pads/ bumper guards (chrome)/ 2.5x12 BCS (4)/ 2.7mm drill bit (fits #9126 or #9127 front bumpers)
- 9126 Bumper, front (chrome)/ bumper mount/ lens (left and right) (2)/ lens mount (left and right) (2)/ 3x10 BCS (2)/ 2.6x6 BCS (4)
- 9124 Bumper, rear (chrome)/ bumper mount/ 3x10 BCS (2)
- 9113 Decal sheets, Chevrolet Blazer (1969 - 1972)
- 6593 Distribution block, Pro Scale® Advanced Lighting Control System
- 9115 Door handles, left, right, and rear/ retainers (3)/ windshield wipers, left & right/ retainer (1)/ fuel cap/ fuel flange/ fuel cap mount/ 1.6x5 BCS (self-tapping) (7)/ 2.6x8 BCS (1)
- 9120 Grille, Chevrolet Blazer (1972)/ grille retainers (5)/ headlight housing (2)/ lens (2)/ 2.6x8 BCS (5)/ 2.5x6 BCS (4) (fits #9111 body)
- 8091 Installation kit, Pro Scale® Advanced Lighting Control System, TRX-4® Chevrolet Blazer (1969 & 1972) (includes mount, reverse lights and turn signal harnesses, hardware)
- 9114-BLK Interior, Chevrolet Blazer (1969 -1972) (black) (includes rollbar, gauge bezel, steering wheel and column, shifter, armrest, decals) (fits #9111, 9112, 9130, or 9131 series bodies) (#9111 or 9112 series bodies require #9128 body cage for installation)
- 9114-BLUE Interior, Chevrolet Blazer (1969 -1972) (blue) (includes rollbar, gauge bezel, steering wheel and column, shifter, armrest, decals) (fits #9111, 9112, 9130, or 9131 series bodies) (#9111 or 9112 series bodies require #9128 body cage for installation)
- 9114 Interior, Chevrolet Blazer (1969 -1972) (clear, requires painting) (includes rollbar, gauge bezel, steering wheel and column, shifter, armrest, decals) (fits #9111, 9112, 9130, or 9131 series bodies) (#9111 or 9112 series bodies require #9128 body cage for installation)
- 8090 LED light set, complete with power supply (contains headlights, tail lights, side marker lights, & distribution block) (fits #9111 or 9112 body)
- 9116 Marker light housing (4)/ marker light mount (4)/ marker light lens (red (2), amber (2))/ reverse lens (left & right)/ 1.6x5 BCS (self-tapping) (8)
- 9118 Mirrors, side, chrome (left & right)/ o-rings (4)/ body clips (4) (fits #9111 body)
- 6592 Power module, Pro Scale® Advanced Lighting Control System (includes mount, communication cables, hardware)
- 6591 Pro Scale® Advanced Lighting Control System (includes power module & distribution block)
- 8090X Pro Scale® LED light set, TRX-4® Chevrolet Blazer (1969 & 1972), complete with power module (contains headlights, tail lights, side marker lights, & distribution block) (fits #9111 or 9112 body)
- 6594 Receiver communication cable, Pro Scale® Advanced Lighting Control System
- 9117 Side trim, Chevrolet Blazer (1972), left & right/ rear trim, upper & lower/ retainers, left, right & rear/ 2.6x8 BCS (23)/ 1.6x5 BCS (self-tapping) (5) (fits #9111 body)
- 9119 Tail light housing, chrome (2)/ lens (2)/ retainers (left & right)/ 2.6x8 BCS (self-tapping) (4)

**Body (1979 Chevrolet® Blazer)**

- 8130T Body, Chevrolet Blazer (1979), complete (black) (includes grille, side mirrors, door handles, windshield wipers, front & rear bumpers, decals)
- 8130X Body, Chevrolet Blazer (1979), complete (orange) (includes grille, side mirrors, door handles, windshield wipers, front & rear bumpers, decals)
- 8130R Body, Chevrolet Blazer (1979), complete (red) (includes grille, side mirrors, door handles, windshield wipers, front & rear bumpers, decals)
- 8131 Decal sheet, Chevrolet Blazer (1979)
- 6593 Distribution block, Pro Scale® Advanced Lighting Control System
- 8132 Door handles, left, right & rear tailgate/ windshield wipers, left & right/ retainers (2)/ 1.6x5 BCS (self-tapping) (7) (fits #8130 series bodies)
- 8134 Grille, Chevrolet Blazer or K10 Truck (1979)/ grille retainers (4)/ headlight housing (2)/ lens (2)/ 2.6x8 BCS (4)/ 2.5x6 BCS (2) (fits #8130 or 9212 series bodies)
- 8082 Installation kit, Pro Scale® Advanced Lighting Control System, TRX-4® Chevrolet Blazer (1979) (includes mount, reverse lights harness, hardware)
- 8039 LED light set (contains headlights, tail lights, side marker lights, & distribution block) (fits #8130 series bodies, requires #8028 power supply)

- 8038 LED light set, complete with power supply (contains headlights, tail lights, side marker lights, & distribution block) (fits #8130 series bodies)
- 8133X Mirrors, side (folding) (fits #8130 series bodies)
- 8133 Mirrors, side, chrome (left & right)/ o-rings (4)/ body clips (4) (fits #8130 series bodies)
- 6592 Power module, Pro Scale® Advanced Lighting Control System (includes mount, communication cables, hardware)
- 6591 Pro Scale® Advanced Lighting Control System (includes power module & distribution block)
- 8038X Pro Scale® LED light set, TRX-4® Chevrolet Blazer or K10 Truck (1979), complete with power module (contains headlights, tail lights, side marker lights, & distribution block) (fits #8130 or 9212 series bodies)
- 6594 Receiver communication cable, Pro Scale® Advanced Lighting Control System
- 8135 Tail lights, left & right (assembled)/ tail light retainers, left & right/ side marker lights (assembled) (2)/ side marker retainers (2)/ mounting tape (2)/ 1.6x5 BCS (self-tapping) (4)/ 2.6x8 BCS (2) (fits #8130 or 9212 series bodies)

**Body (1979 Ford® Bronco®)**

- 8010X Body, Ford Bronco, complete (black) (includes front and rear bumpers, push bar, rear body mount, grille, side mirrors, door handles, windshield wipers, spare tire mount, red and sunset decals) (requires #8072 inner fenders)
- 8078R Decal sheet, Bronco, red (fits #8010 body)
- 6593 Distribution block, Pro Scale® Advanced Lighting Control System
- 8075 Door handles, left & right/ windshield wipers, left & right/ retainers (3)/ 1.6x5 BCS (self-tapping) (4) (fits #8010 or 9230 series bodies)
- 8070 Grille, Ford Bronco or F-150/ grille retainers (6)/ headlight housing (2)/ lens (2)/ 2.6x8 BCS (6)/ 2.5x6 BCS (2) (fits #8010 or 9230 series bodies)
- 8032 Installation kit, Pro Scale® Advanced Lighting Control System, TRX-4® Ford Bronco (1979) or Chevrolet K10 Truck (1979) (includes mount, reverse lights harness, hardware)
- 8037 LED lights, high/low switch (for #8035 or #8036 LED light kits)
- 8073 Mirrors, side, black (left & right)/ retainers (2)/ body clips (4) (fits #8010 or 9230 series bodies)
- 8073X Mirrors, side, chrome (left & right)/ retainers (2)/ body clips (4) (fits #8010 or 9230 series bodies)
- 6592 Power module, Pro Scale® Advanced Lighting Control System (includes mount, communication cables, hardware)
- 6591 Pro Scale® Advanced Lighting Control System (includes power module & distribution block)
- 8035R Pro Scale® LED light set, TRX-4® Ford Bronco (1979) or Ford F-150 (1979), complete with power module (contains headlights, tail lights, side marker lights, & distribution block) (fits #8010 or 9230 series bodies)
- 6594 Receiver communication cable, Pro Scale® Advanced Lighting Control System
- 8076 Side trim, left & right (chrome)/ retainers/ LED lens/ 2.6x8 BCS (24) (fits #8010 series bodies)
- 8074 Spare tire mount/ mounting bracket/ spare tire cover/ mounting hardware
- 8077 Tailgate panel insert (clear, requires painting)/ adhesive foam tape (2) (fits #8010 series bodies)
- 8071 Tailgate panel/ tail light lens (2) (left & right) (fits #8010 series bodies)

**Body (Mercedes-Benz® G 500®)**

- 8811 Body, Mercedes-Benz® G 500® (clear, requires painting)/ decals/ window masks (includes rear body post, grille, side mirrors, door handles, windshield wipers)
- 8812 Decals, Mercedes-Benz® G 500®
- 6593 Distribution block, Pro Scale® Advanced Lighting Control System
- 8813X Grille, Mercedes-Benz® G 500® 4x4<sup>2</sup>/grille mount & insert/lens, headlight (2 ea)/reflector (2)/bumperette & mounts, front (2 ea)/turn signal housing & lens (2 ea)/ hardware (fits #8811/8825 body)
- 8893 Installation kit, Pro Scale® Advanced Lighting Control System, TRX-4® Mercedes® G 500® & G 63® (includes mount, rear bumper lens, turn signal, reverse light, & fog light harnesses, hardware)
- 8899 LED light set (contains headlights, tail lights, roof lights, and distribution block) (fits #8811 body, requires #8028 power supply)
- 8898 LED light set, complete with power supply (contains headlights, tail lights, roof lights, & distribution block) (fits #8811 body)

8817	Mirrors, side, black (left & right)/ o-rings (4)/ windshield wipers, left, right, & rear/ wiper retainers (2)/ body clips (4)/ 1.6x5 BCS (self-tapping) (3)
6592	Power module, Pro Scale® Advanced Lighting Control System (includes mount, communication cables, hardware)
6591	Pro Scale® Advanced Lighting Control System (includes power module & distribution block)
8898X	Pro Scale® LED light set, TRX-4® Mercedes® G 500® & G 63®, complete with power module (contains headlights, tail lights, roof lights, & distribution block) (fits #8811 or 8825 body)
6594	Receiver communication cable, Pro Scale® Advanced Lighting Control System
8822	Roof visor/ visor retainer/ visor lens (2)/ 2.6x6 BCS (3)/ 3x4 GS (4)
8816X	Side marker light housing (2)/ mount (2)/ lens (2)/ 1.6x7 BCS (self-tapping) (2)
8814X	Tail light lens (2)/ tail light housing (2)/ tail light housing mount (2)/ reverse lens (2)/ 1.6x5 BCS (4) (left & right)

**Body (Tactical Unit)**

8211X	Body, Tactical Unit, night camo (painted)/ decals
8019	Fender brace, inner, front & rear
8017	Fender flares, front & rear (2 each) (fits #8011 or #8211 series bodies)
8018	Fenders, inner, front & rear (2 each)/ rock light covers (8)
8020	Mirrors, side (left & right)/ snorkel/ mounting hardware (fits #8011 series bodies)
8021	Spare tire mount/ mounting bracket/ screw pins (2)

**Body (TRX-4® Sport)**

8112	Body with camper, TRX-4® Sport (clear, trimmed, requires painting)/window masks/ decal sheet
8213	Body, TRX-4® Sport (clear, trimmed, die-cut for clipless mounting, requires painting)/ window masks/ decal sheet
8111R	Body, TRX-4® Sport (clear, trimmed, die-cut for LED light kit, requires painting)/ window masks/ decal sheet
8111	Body, TRX-4® Sport (clear, trimmed, requires painting)/ window masks/ decal sheet
8213-BLUE	Body, TRX-4® Sport, complete, blue (painted, decals applied) (includes grille, side mirrors, door handles, windshield wipers, expedition rack, & clipless mounting) (requires #8080X inner fenders)
8213-GRAY	Body, TRX-4® Sport, complete, gray (painted, decals applied) (includes grille, side mirrors, door handles, windshield wipers, expedition rack, & clipless mounting) (requires #8080X inner fenders)
8213-RED	Body, TRX-4® Sport, complete, red (painted, decals applied) (includes grille, side mirrors, door handles, windshield wipers, expedition rack, & clipless mounting) (requires #8080X inner fenders)
8113	Decal Sheet, TRX-4® Sport
6593	Distribution block, Pro Scale® Advanced Lighting Control System
8120X	Expedition rack, complete (includes traction boards, shovel, axe, jack, fire extinguisher, fuel cans, & mounting hardware) (fits #8111 or #8111R body)
8120R	Expedition rack, complete (includes traction boards, shovel, axe, jack, fire extinguisher, fuel cans, & mounting hardware) (fits #8111, 8111R, or 8213 series bodies)
8120	Expedition rack/ mounting hardware (fits #8111 or #8111R body)
8120A	Expedition rack/ mounting hardware (fits #8111, 8111R, or 8213 series bodies)
8422-BLK	Fire extinguisher, black (2)
8422	Fire extinguisher, red (2)
8022T	Fuel canisters (black) (2)/ screw pin
8022R	Fuel canisters (blue) (2)/ screw pin
8022-GRN	Fuel canisters (green) (2)/ screw pin
8022	Fuel canisters (red) (2)/ screw pin
8022X	Fuel canisters (white) (2)/ screw pin
8022A	Fuel canisters (yellow) (2)/ screw pin
8116	Grille/ grille retainers (2)/ grille mount/ lens (2)/ 2.5x8 BCS (6) (fits #8111 or #8112 body)
8083	Installation kit, Pro Scale® Advanced Lighting Control System, TRX-4® Sport (includes mount, rear lens, reverse lights and turn signal harnesses, hardware)
8086	LED expedition rack scene light kit (fits #8111 or 8213 series bodies, requires #8028 power supply)
8084	LED headlight/tail light kit (fits #8111 or #8112 body, requires #8028 power supply)
8088	LED light bar, front bumper (fits #8866 front bumper, requires #8028 power supply)
8087	LED light bar, roof lights (fits #8111 or 8213 series bodies, requires #8028 power supply)

8085	LED light set, complete with power supply (contains headlights, tail lights, & distribution block) (fits #8111 or #8112 body)
8119	Mirrors, side (left & right)/ snorkel/ mounting hardware (fits #8111 or #8112 body)
6592	Power module, Pro Scale® Advanced Lighting Control System (includes mount, communication cables, hardware)
6591	Pro Scale® Advanced Lighting Control System (includes power module & distribution block)
8085X	Pro Scale® LED light set, TRX-4® Sport, complete with power module (contains headlights, tail lights, & distribution block) (fits #8111 or #8112 body)
6594	Receiver communication cable, Pro Scale® Advanced Lighting Control System
8122-BLK	Shovel/ axe (black)/ accessory mount/ mounting hardware
8122	Shovel/ axe/ accessory mount/ mounting hardware
8118	Spare tire mount/ mounting hardware
8117	Tailgate panel/ tailgate retainers (2)/ tailgate mount/ tail light lens (2) (left & right)/ 2.5x8 BCS (4) (fits #8111 or #8112 body)
8121X	Traction boards, blue/ mounting hardware
8121G	Traction boards, green/ mounting hardware
8121A	Traction boards, yellow/ mounting hardware
8121	Traction boards/ mounting hardware

**Body Accessories**

1926	Antenna caps, vinyl (2)/ antenna spool
1726	Antenna, tube (1)/ vinyl antenna cap (1)/ wire retainer (1)
1834	Body Clips (12) (standard size)
1834A	Body clips, black (12) (standard size)
3934	Body clips, heavy duty (12)
3934A	Body clips, heavy duty (black) (12)
8215	Body mounts & posts, front & rear (complete set)
8115	Body posts, front & rear
4915	Body washers, foam adhesive (10)
2514	Decal sheet, racing sponsors
8081	Fender extensions (4)/ 3x8 flathead screws (24) (requires #8080 narrow inner fenders)
8080	Fenders, inner (narrow), front & rear (2 each)/ rock light covers (8)/ battery plate/ body mount/ 3x8 flat-head screws (4)/ 2.5x6 CS (10)
8080X	Fenders, inner (narrow), front & rear (2 each)/ rock light covers (8)/ battery plate/ body mount/ 3x8 flat-head screws (4)/ 2.5x6 CS (10) (for clipless body mounting)
8072X	Fenders, inner (wide), front & rear (2 each)/ rock light covers (8)/ battery plate/ 3x8 flat-head screws (4) (for clipless body mounting)
8072	Fenders, inner, front & rear (2 each)/ rock light covers (8)/ battery plate/ 3x8 flathead screws (4)
9288	Fenders, inner, front & rear (for clipless body mounting) (2 each)/ rock light covers (8)
9950	Official Team Traxxas® racing decal set(flag logo/ 6-color)

**Bumpers & Skidplates**

8234	Bumper D-Rings, grey (front or rear)/ 2.0x12 CS (4)
8234R	Bumper D-rings, red (front or rear)/ 2.0x12 CS (4)
8067	Bumper mounts, front & rear
8067X	Bumper mounts, front & rear/ bumper mount, rear (offset)
8237	Bumper mounts, front & rear/ screw pins (4)
8124	Bumper, front (178mm wide)/ winch/ 2.6x8 BCS (1)
8137	Bumper, front (chrome)/ bumper mount/ 3x10 BCS (2)
9126	Bumper, front (chrome)/ bumper mount/ lens (left and right) (2)/ lens mount (left and right) (2)/ 3x10 BCS (2)/ 2.6x6 BCS (4)
8235	Bumper, front/ winch/ 2.6x8 BCS (1)
8236	Bumper, rear
8125	Bumper, rear (176mm wide)
9124	Bumper, rear (chrome)/ bumper mount/ 3x10 BCS (2)
8136	Bumper, rear (chrome)/ bumper mount/ 3x10 BCS (2)
8238	Skidplate/ lower gear cover

**Chassis & Attachments**

8327	Battery hold-down/ battery clip/ hold-down post/screw pin (for 256mm wheelbase)
8215	Body mounts & posts, front & rear (complete set)
8224	Box, receiver (sealed)/ wire cover/ foam pads/ silicone grease/ 3x8 BCS (5)/ 2.5x8 CS (2)
8058	Chassis conversion kit, TRX-4® (long to short wheelbase) (includes rear upper & lower suspension links, front & rear inner fenders, short female half shaft, battery tray, 3x8mm FCS (4))
8057	Chassis conversion kit, TRX-4® (short to long wheelbase) (includes rear upper & lower suspension links, front & rear shock towers, long female half shaft)
8220	Chassis rails, 448mm (steel) (left & right)
8081	Fender extensions (4)/ 3x8 flathead screws (24) (requires #8080 narrow inner fenders)

8080	Fenders, inner (narrow), front & rear (2 each)/ rock light covers (8)/ battery plate/ body mount/ 3x8 flat-head screws (4)/ 2.5x6 CS (10)
8080X	Fenders, inner (narrow), front & rear (2 each)/ rock light covers (8)/ battery plate/ body mount/ 3x8 flat-head screws (4)/ 2.5x6 CS (10) (for clipless body mounting)
8072X	Fenders, inner (wide), front & rear (2 each)/ rock light covers (8)/ battery plate/ 3x8 flat-head screws (4) (for clipless body mounting)
8072	Fenders, inner, front & rear (2 each)/ rock light covers (8)/ battery plate/ 3x8 flathead screws (4)
8218	Floor pans, left & right
8224X	Receiver box cover (for use only with #8224 receiver box & #2260 BEC)/ foam pads/ seals/ silicone grease
8219	Rock sliders, left & right
8225	Seal kit, receiver box (includes o-ring, seals, and silicone grease)
8240X	Servo mount, 2-speed/ servo mount, T-Lock/ wire clips
8239	Servo mount, steering/ chassis crossmember
8216	Shock towers, front & rear (left & right)
8226	Tray, battery

### Differential Components

8281	Carrier, differential/ differential slider/ T-Lock fork
8280A	Differential cover, front or rear (black)
8280X	Differential cover, front or rear (chrome plated)
8280-GRN	Differential cover, front or rear (green)
8280	Differential cover, front or rear (grey)
8280R	Differential cover, front or rear (red)
8195	Differential, locking, front and rear (assembled) (includes T-Lock cables and servos)
8282	Gear set, differential (output gears (2), spider gears (4), spider gear shaft (2))
8295	Output drive, transmission or differential (pin retainer (1)/ drive cup (1)/ drive ball (1)/ drive pin (1)/ 3x10 screw pin (1)/ cross pin (black) (1) 3x6 BCS with threadlock (1))
8279	Ring gear, differential/ pinion gear, differential
8279R	Ring gear, differential/ pinion gear, differential (machined)
8287	Ring gear, differential/ pinion gear, differential (overdrive, machined)
8288	Ring gear, differential/ pinion gear, differential (underdrive, machined)
8297	Spool/ differential housing plug/ e-clip/ 2.5x8mm BCS (with threadlock) (4)

### Driveline Components

8150	Driveshaft extension kit, center (includes internal splined, x-long (2), internal splined, long (1) and internal splined, medium (1)) (for use with TRX-4® Long Arm Lift Kit)
8150X	Driveshaft extension kit, center (includes internal splined, x-long (2), internal splined, long (1), internal splined, medium (2) & internal splined, short (1)) (for use with TRX-4® Long Arm Lift Kit)
8139	Half shafts, center (external splined) (2)/ pin retainer (4) (plastic parts only)
8250	Half shafts, center (internal splined, front (2) & internal splined, rear (2)/ external splined (2)/ pin retainer (4)) (plastic parts only)
8255A	Stub axle, extended thread (portal drive) (2)
8269	Wheel hubs, 12mm hex (2)/ stub axle pins (2) (steel)
8269X	Wheel hubs, 12mm hex, 6061-T6 aluminum (blue-anodized) (4)/ 3x10 screw pin (4)
8269A	Wheel hubs, 12mm hex, 6061-T6 aluminum (charcoal gray-anodized) (4)/ 3x10 screw pin (4)
8269G	Wheel hubs, 12mm hex, 6061-T6 aluminum (green-anodized) (4)/ 3x10 screw pin (4)
8269R	Wheel hubs, 12mm hex, 6061-T6 aluminum (red-anodized) (4)/ 3x10 screw pin (4)

### Hardware

1552	3x8mm Hex Cap Screws (6)/ Washers (6)/ Wrench (1)
1834	Body Clips (12) (standard size)
1834A	Body clips, black (12) (standard size)
3934	Body clips, heavy duty (12)
3934A	Body clips, heavy duty (black) (12)
4859	CS 3x10 flathead (hex drive)
8167X	Hardware kit, stainless steel, beadlock rings (contains stainless steel hardware for 4 wheels)
8298	Hardware kit, stainless steel, TRX-4® (contains all stainless steel hardware used on TRX-4®)
8151	Hardware kit, stainless steel, TRX-4® High Lift Kit (contains all stainless steel hardware used on TRX-4® High Lift Kit)
8217	Hardware kit, TRX-4® (contains all hardware used on TRX-4®)
5476X	Hex wrenches; 1.5mm, 2mm, 2.5mm, 3mm, 2.5 ball
1747P	Nuts, 4mm flanged nylon locking (aluminum, pink anodized) (4)

3647	Nuts, 4mm flanged nylon locking (steel, serrated) (8)
8347	Nuts, 4mm flanged nylon locking, serrated (black) (10)
1747R	Nuts, aluminum, flanged, serrated (4mm) (blue-anodized) (4)
1747G	Nuts, aluminum, flanged, serrated (4mm) (green-anodized) (4)
1747T	Nuts, aluminum, flanged, serrated (4mm) (orange-anodized) (4)
1747A	Nuts, aluminum, flanged, serrated (4mm) (red-anodized) (4)
1985	PTFE-coated Washers, 5x8x0.5mm (20) (use with ball bearings)
8221	Screw pin, 3x10mm (6)
2523	Screws, 2.5x10 countersunk machine (hex drive) (6)
3229	Screws, 2.5x10mm cap-head machine (hex drive) (6)
3236	Screws, 2.5x12mm cap-head machine (6)
2618	Screws, 2.5x16mm cap-head machine (6)
3215	Screws, 2.5x6mm cap-head machine (hex drive) (6)
2524	Screws, 2.5x8 countersunk machine (hex drive) (6)
2617	Screws, 2.5x8mm button-head machine (hex drive) (6)
3965	Screws, 2.5x8mm cap-head machine (6)
8299	Screws, 2.6x12mm button-head, self-tapping (hex drive) (6)
8167	Screws, 2x10mm cap-head, self-tapping (hex drive) (10)
2564	Screws, 2x8mm cap-head machine (hex drive) (6)
2577	Screws, 3x10mm button-head machine (hex drive) (6)
2578	Screws, 3x12mm button-head machine (hex drive) (6)
2579	Screws, 3x15mm button-head machine (hex drive) (6)
2591	Screws, 3x23mm button-head machine (hex drive) (6)
2581	Screws, 3x25mm button-head machine (hex drive) (6)
2616	Screws, 3x27mm button-head machine (hex drive) (6)
2582	Screws, 3x30mm button-head machine (hex drive) (6)
2575	Screws, 3x6mm button-head machine (hex drive) (6)
3932	Screws, 3x6mm flat-head machine (hex drive) (6)
2576	Screws, 3x8mm button-head machine (hex drive) (6)
3931	Screws, 3x8mm flat-head machine (hex drive) (6)
3933	Screws, 4x16mm button-head machine (hex drive) (6)

### LED Light Accessories

8031	3-in-1 wire harness, LED light kit
8089	4-in-2 wire harness, LED light kit
6589	Distribution block, LED light set
6593	Distribution block, Pro Scale® Advanced Lighting Control System
8091	Installation kit, Pro Scale® Advanced Lighting Control System, TRX-4® Chevrolet Blazer (1969 & 1972) (includes mount, reverse lights and turn signal harnesses, hardware)
8082	Installation kit, Pro Scale® Advanced Lighting Control System, TRX-4® Chevrolet Blazer (1979) (includes mount, reverse lights harness, hardware)
8090	LED light set, complete with power supply (contains headlights, tail lights, side marker lights, & distribution block) (fits #9111 or 9112 body)
8028	LED lights, power supply (regulated, 3V, 0.5-amp)/ 3-in-1 wire harness
8026X	LED rock light kit, TRX-4®/TRX-6™ (requires #8028 power supply and #8018, #8072, or #8080 inner fenders)
6592	Power module, Pro Scale® Advanced Lighting Control System (includes mount, communication cables, hardware)
6591	Pro Scale® Advanced Lighting Control System (includes power module & distribution block)
8090X	Pro Scale® LED light set, TRX-4® Chevrolet Blazer (1969 & 1972), complete with power module (contains headlights, tail lights, side marker lights, & distribution block) (fits #9111 or 9112 body)
6594	Receiver communication cable, Pro Scale® Advanced Lighting Control System

### Long Arm Lift Kit

8162X	Body, GTS shock, long (aluminum, blue-anodized) (1) (for use #8140X TRX-4® Long Arm Lift Kit)
8162R	Body, GTS shock, long (aluminum, red-anodized) (1) (for use with #8140R TRX-4® Long Arm Lift Kit)
8162	Body, GTS shock, long (silver aluminum) (1) (for use with #8140 TRX-4® Long Arm Lift Kit)
8147	Cable, T-lock (medium) (for use with TRX-4® Long Arm Lift Kit)
8148	Cable, T-lock, extra long (193mm) (for use with TRX-4® Long Arm Lift Kit)
8150	Driveshaft extension kit, center (includes internal splined, x-long (2), internal splined, long (1) and internal splined, medium (1)) (for use with TRX-4® Long Arm Lift Kit)
8140	Long arm lift kit, TRX-4®, complete
8140X	Long arm lift kit, TRX-4®, complete (includes blue powder coated links, blue-anodized shocks)
8140-GRN	Long arm lift kit, TRX-4®, complete (includes green powder coated links, green-anodized shocks)
8140R	Long arm lift kit, TRX-4®, complete (includes red powder coated links, red-anodized shocks)

8149	Rod ends, extended (standard (4), angled (4))/ hollow balls (8) (for use with TRX-4® Long Arm Lift Kit)
8141	Servo mount, steering (for use with TRX-4® Long Arm Lift Kit)
8161	Shock shaft, 3x57mm (GTS) (2) (includes bump stops) (for use with TRX-4® Long Arm Lift Kit)
8160X	Shocks, GTS, aluminum (blue-anodized) (assembled without springs) (4) (for use with #8140X TRX-4® Long Arm Lift Kit)
8160-GRN	Shocks, GTS, aluminum (green-anodized) (assembled without springs) (4) (for use with #8140 TRX-4® Long Arm Lift Kit)
8160R	Shocks, GTS, aluminum (red-anodized) (assembled without springs) (4) (for use with #8140R TRX-4® Long Arm Lift Kit)
8160	Shocks, GTS, silver aluminum (assembled without springs) (4) (for use with #8140 TRX-4® Long Arm Lift Kit)
8153	Springs, shock, long (natural finish) (GTS) (0.29 rate, white stripe) (for use with TRX-4® Long Arm Lift Kit)
8154	Springs, shock, long (natural finish) (GTS) (0.39 rate, orange stripe) (for use with TRX-4® Long Arm Lift Kit)
8155	Springs, shock, long (natural finish) (GTS) (0.47 rate) (included with TRX-4® Long Arm Lift Kit)
8156	Springs, shock, long (natural finish) (GTS) (0.54 rate, green stripe) (for use with TRX-4® Long Arm Lift Kit)
8157	Springs, shock, long (natural finish) (GTS) (0.62 rate, blue stripe) (for use with TRX-4® Long Arm Lift Kit)
8146X	Steering link, 5x117mm (1)/ drag link, 5x60mm (1)/ panhard link, 5x63mm (blue powder coated steel) (assembled with hollow balls) (for use with #8140X TRX-4® Long Arm Lift Kit)
8146R	Steering link, 5x117mm (1)/ drag link, 5x60mm (1)/ panhard link, 5x63mm (red powder coated steel) (assembled with hollow balls) (for use with #8140R TRX-4® Long Arm Lift Kit)
8144X	Suspension link, front upper, 5x68mm (1) (blue powder coated steel) (assembled with hollow balls) (for use with #8140X TRX-4® Long Arm Lift Kit)
8144R	Suspension link, front upper, 5x68mm (1) (red powder coated steel) (assembled with hollow balls) (for use with #8140R TRX-4® Long Arm Lift Kit)
8144	Suspension link, front upper, 5x68mm (1) (steel) (assembled with hollow balls) (for use with #8140 TRX-4® Long Arm Lift Kit)
8143	Suspension links, front lower (2) (5x104mm, steel) (assembled with hollow balls) (for use with #8140 TRX-4® Long Arm Lift Kit)
8143X	Suspension links, front lower, blue (2) (5x104mm, powder coated steel) (assembled with hollow balls) (for use with #8140X TRX-4® Long Arm Lift Kit)
8143R	Suspension links, front lower, red (2) (5x104mm, powder coated steel) (assembled with hollow balls) (for use with #8140R TRX-4® Long Arm Lift Kit)
8145	Suspension links, rear lower (2) (5x115mm, steel) (assembled with hollow balls) (for use with #8140 TRX-4® Long Arm Lift Kit)
8145X	Suspension links, rear lower, blue (2) (5x115mm, powder coated steel) (assembled with hollow balls) (for use with #8140X TRX-4® Long Arm Lift Kit)
8145R	Suspension links, rear lower, red (2) (5x115mm, powder coated steel) (assembled with hollow balls) (for use with #8140R TRX-4® Long Arm Lift Kit)
8142	Suspension links, rear upper (2) (5x115mm, steel) (assembled with hollow balls) (for use with #8140 TRX-4® Long Arm Lift Kit)
8142R	Suspension links, rear upper, red (2) (5x115mm, powder coated steel) (assembled with hollow balls) (for use with #8140R TRX-4® Long Arm Lift Kit)
8172	Tires & wheels, assembled (Method Race Wheels® 105 Beadlock 2.2" black chrome beadlock wheels, Canyon Trail 5.3x2.2" tires, foam inserts) (1 left, 1 right)
8184	Tires & wheels, assembled, glued (2.2" classic chrome wheels, Canyon Trail 5.3x2.2" tires, foam inserts) (2)/ center caps (front (2), rear (2)) (requires #8255A extended thread stub axle)
8181-BLUE	Tires & wheels, assembled, glued (TRX-4® Sport 2.2" gray, blue beadlock style wheels, Canyon Trail 5.3x2.2" tires) (2)
8181-GRN	Tires & wheels, assembled, glued (TRX-4® Sport 2.2" gray, green beadlock style wheels, Canyon Trail 5.3x2.2" tires) (2)
8181-RED	Tires & wheels, assembled, glued (TRX-4® Sport 2.2" gray, red beadlock style wheels, Canyon Trail 5.3x2.2" tires) (2)
8181	Tires & wheels, assembled, glued (TRX-4® Sport 2.2" wheels, Canyon Trail 5.3x2.2" tires) (2)
8170	Tires, Canyon Trail 5.3x2.2" foam inserts (2)
8171	Wheels, 2.2", Method Race Wheels® 105 Beadlock (black chrome, beadlock) (beadlock rings sold separately)
8171A	Wheels, 2.2", Method Race Wheels® 105 Beadlock (charcoal gray, beadlock) (beadlock rings sold separately)
8180	Wheels, TRX-4® Sport 2.2 (2)
8180-BLUE	Wheels, TRX-4® Sport 2.2 (gray, blue beadlock style) (2)
8180-GRN	Wheels, TRX-4® Sport 2.2 (gray, green beadlock style) (2)
8180-RED	Wheels, TRX-4® Sport 2.2 (gray, red beadlock style) (2)

## Motors & Electronics

1926	Antenna caps, vinyl (2)/ antenna spool
1726	Antenna, tube (1)/ vinyl antenna cap (1)/ wire retainer (1)
2262	<b>BEC, complete (12.6 volts (3s LiPo) maximum input voltage) (includes receiver box cover and seals)</b>
2064A	Gear set (for 2065A waterproof sub-micro servo)
2064R	<b>Gear set, metal (for 2065R waterproof sub-micro servo)</b>
2072X	Gear set, metal (for 2070, 2075 servos)
2252	<b>Gear set, metal (for 2250, 2255 servos)</b>
2272	<b>Gear set, metal (for 2270 waterproof servo)</b>
2072R	<b>Gear set, metal, high-speed (for 2070, 2075 servos)</b>
8290X	<b>Motor mount plate, 6061-T6 aluminum (blue-anodized)</b>
8290A	<b>Motor mount plate, 6061-T6 aluminum (charcoal gray-anodized)</b>
8290G	<b>Motor mount plate, 6061-T6 aluminum (green-anodized)</b>
8290R	<b>Motor mount plate, 6061-T6 aluminum (red-anodized)</b>
3975R	Motor, Titan 550, reverse rotation (21-turns/ 14 volts) (1)
8290	Plate, motor/ upper spur gear cover
2254	<b>Servo case, aluminum (middle) (blue-anodized) (for 2250 servo)</b>
2253	<b>Servo case, aluminum (middle) (red-anodized) (for 2255 servo)</b>
2251	<b>Servo case, plastic (top, middle, bottom)/ gaskets/ hardware (for 2250, 2255 servos)</b>
2271	<b>Servo case/ gaskets (for 2270 waterproof servo)</b>
2063A	Servo case/gaskets (for 2065A waterproof sub-micro servo)
2063R	<b>Servo case/gaskets (for 2065R metal gear, waterproof, sub-micro servo)</b>
2063X	<b>Servo case/gaskets (for 2065X metal gear, waterproof, sub-micro servo)</b>
5669	Servo horn (with built-in spring and hardware) (for Summit locking differential)
2075R	<b>Servo, digital high-speed, metal gear (ball bearing), waterproof</b>
2250	<b>Servo, digital high-torque 330 coreless, metal gear (ball bearing), waterproof (#2262 external BEC and #8247X metal servo horn recommended for optimal performance)</b>
2255	<b>Servo, digital high-torque 400 brushless, metal gear (ball bearing), waterproof (#2262 external BEC and #8247X metal servo horn recommended for optimal performance)</b>
2270	<b>Servo, digital high-torque, metal gear (ball bearing), waterproof</b>
2075X	Servo, digital high-torque, metal gear (ball bearing), waterproof
2065A	Servo, sub-micro, waterproof
2065R	<b>Servo, sub-micro, waterproof, metal gear</b>
3025	XL-5HV 3s Electronic Speed Control, waterproof (low-voltage detection, fwd/rev/brake)
2261	<b>Y-harness, BEC</b>

## Pro Scale® Winch & Accessories

8867	<b>Bumper, front, winch, medium (includes bumper mount, D-Rings, fairlead, hardware) (fits TRX-4® 1979 Bronco and 1979 Blazer with 8855 winch) (217mm wide)</b>
8859	Fairlead, winch
8870X	Fairlead, winch, aluminum (blue-anodized) (use with front bumpers #8865, 8866, 8867, 8869, or 9224)
8870A	Fairlead, winch, aluminum (gray-anodized) (use with front bumpers #8865, 8866, 8867, 8869, or 9224)
8870G	Fairlead, winch, aluminum (green-anodized) (use with front bumpers #8865, 8866, 8867, 8869, or 9224)
8870T	Fairlead, winch, aluminum (orange-anodized) (use with front bumpers #8865, 8866, 8867, 8869, or 9224)
8870R	Fairlead, winch, aluminum (red-anodized) (use with front bumpers #8865, 8866, 8867, 8869, or 9224)
8862	Gearmotor, winch
8863	Hook, winch (steel)/ line retainer/ washer
8858	Housings (front & rear), winch/ decal
8864X	Line, winch (blue)
8864	Line, winch (gray)
8864R	Line, winch (red)
8860	Spool shaft assembly, winch
8861	Spool, winch
8855	Winch kit with wireless controller, TRX-4® and TRX-6®
8856	Winch, TRX-4® and TRX-6® (requires #8857 wireless remote)
8857	Wireless remote, winch, TRX-4® and TRX-6®

## Radio System, Batteries & Chargers

2823X	1400mah 11.1v 3-Cell 25C LiPo Battery
2820X	2200mah 7.4v 2-Cell 25C LiPo Battery
2849X	4000mah 11.1v 3-Cell 25C LiPo Battery
2872X	5000mah 11.1v 3-Cell 25C LiPo Battery
2842X	5000mah 7.4v 2-Cell 25C LiPo Battery
2843X	5800mah 7.4v 2-Cell 25C LiPo Battery
2869X	7600mah 7.4v 2-Cell 25C LiPo Battery

2914	AA 4PK
2976	AC to DC adapter
2938X	Adapter, Traxxas® iD® LiPo battery (adapts Traxxas® iD® batteries to separate balance ports)
1726	Antenna, tube (1)/ vinyl antenna cap (1)/ wire retainer (1)
2943	Battery charge indicators, green (4), grey (4), blue (4)
6548	Battery door, TQ 2.4 transmitter (replacement for #6516, 6517 transmitter)
8222	Battery strap (for use with 2200mAh 2-cell and 1400mAh 3-cell LiPo batteries)
2923X	Battery, Power Cell, 3000mAh (NiMH, 7-C flat, 8.4V)
2940X	Battery, Series 3 Power Cell, 3300mAh (NiMH, 7-C flat, 8.4V)
2950X	Battery, Series 4 Power Cell, 4200mAh (NiMH, 7-C flat, 8.4V)
2960X	Battery, Series 5 Power Cell, 5000mAh (NiMH, 7-C flat, 8.4V)
2983	Battery/charger completer pack (includes #2969 2-amp NiMH peak detecting AC charger (1), #2923X 3000mAh 8.4V 7-cell NiMH iD® battery (1))
2992	Battery/charger completer pack (includes #2970 iD® charger (1), #2843X 5800mAh 7.4V 2-cell 25C LiPo iD® battery (1))
2994	Battery/charger completer pack (includes #2970 iD® charger (1), #2849X 4000mAh 11.1v 3-Cell 25C LiPo iD® battery (1))
2991	Battery/charger completer pack (includes #2972 Dual iD charger (1), #2869X 7600mAh 7.4V 2-cell 25C LiPo iD® Battery (2))
2985-2S	Battery/charger completer pack (includes #2985 charger (1), #2827X 3000mAh 7.4V 2-cell 20C LiPo iD® Battery (1))
2262	BEC, complete (12.6 volts (3s LiPo) maximum input voltage) (includes receiver box cover and seals)
2975	Charger, D/C, 4 amp (6 - 7 cell, 7.2 - 8.4 volt, NiMH)
2972	Charger, EZ-Peak Dual, 100W, NiMH/LiPo with iD Auto Battery Identification
2973	Charger, EZ-Peak Live Dual, 200W, NiMH/LiPo with iD Auto Battery Identification
2970	Charger, EZ-Peak Plus, 4 amp, NiMH/LiPo with iD Auto Battery Identification
2981	Charger, EZ-Peak® Plus 4s, 8 amp, NiMH/LiPo with iD® Auto Battery Identification
2985	Charger, EZ-Peak®, USB-C, 40W, NiMH/LiPo with iD® Auto Battery Identification
6525	Communication link, telemetry expander
6512	Cover plate, Traxxas® Link Bluetooth® module
6565	Data link, telemetry expander (connects #6550X telemetry expander 2.0 to the #6590 high-voltage power amplifier)
2971	EZ-Peak Live 12-amp NiMH/LiPo Fast Charger with iD® Auto Battery Identification and Bluetooth®
2978	Fuse, D/C charger, 5A (2) (for #2974, 2975, 2977)
2064A	Gear set (for 2065A waterproof sub-micro servo)
2064R	Gear set, metal (for 2065R waterproof sub-micro servo)
2072X	Gear set, metal (for 2070, 2075 servos)
2252	Gear set, metal (for 2250, 2255 servos)
2272	Gear set, metal (for 2270 waterproof servo)
2072R	Gear set, metal, high-speed (for 2070, 2075 servos)
2968X	LiPo cell voltage checker/balancer (includes #2938X adapter for Traxxas® iD® batteries)
2968	LiPo cell voltage checker/balancer (requires #2938X adapter for Traxxas® iD® batteries)
6561	Mount, telemetry expander
6535	Mount, temperature sensor (electric motors)/ wire tie/ thermal pad
6533	Receiver, micro, TQi 2.4GHz with telemetry & TSM® (5-channel)
6552	Seal kit, expander box (includes o-ring, seals, and silicone grease)
6526	Sensor, auto-detectable, temperature
6527	Sensor, auto-detectable, voltage
6521	Sensor, temperature and voltage (long)
2254	Servo case, aluminum (middle) (blue-anodized) (for 2250 servo)
2253	Servo case, aluminum (middle) (red-anodized) (for 2255 servo)
2251	Servo case, plastic (top, middle, bottom)/ gaskets/ hardware (for 2250, 2255 servos)
2271	Servo case/ gaskets (for 2270 waterproof servo)
2063A	Servo case/gaskets (for 2065A waterproof sub-micro servo)
2063R	Servo case/gaskets (for 2065R metal gear, waterproof, sub-micro servo)
2063X	Servo case/gaskets (for 2065X metal gear, waterproof, sub-micro servo)
2075R	Servo, digital high-speed, metal gear (ball bearing), waterproof
2250	Servo, digital high-torque 330 coreless, metal gear (ball bearing), waterproof (#2262 external BEC and #8247X metal servo horn recommended for optimal performance)
2255	Servo, digital high-torque 400 brushless, metal gear (ball bearing), waterproof (#2262 external BEC and #8247X metal servo horn recommended for optimal performance)

2075X	Servo, digital high-torque, metal gear (ball bearing), waterproof
2270	Servo, digital high-torque, metal gear (ball bearing), waterproof
2065A	Servo, sub-micro, waterproof
2065R	Servo, sub-micro, waterproof, metal gear
6553X	Telemetry Expander 2.0 and GPS module 2.0, TQi radio system
6550X	Telemetry expander 2.0, TQi radio system (for use only with #6551X GPS module)
6551X	Telemetry GPS module 2.0, TQi radio system (for use only with #6550X telemetry expander)
6509R	TQi 2.4 GHz High Output radio system, 2-channel, Traxxas® Link enabled, TSM® (2-ch transmitter, 5-ch micro receiver)
6507R	TQi 2.4 GHz High Output radio system, 4-channel with Traxxas® Link Bluetooth® module, TSM® (4-ch transmitter, 5-ch micro receiver)
6530	Transmitter, TQi Traxxas® Link enabled, 2.4GHz high output, 4-channel (transmitter only)
6511	Traxxas® Link Bluetooth® module
2261	Y-harness, BEC

### Ready-To-Race Model

92086-4	TRX-4® High Trail Edition™ with 1972 Chevrolet® Blazer® Body: 4WD Electric Truck with TQi™ Traxxas Link™ Enabled 2.4GHz Radio System
---------	--

### Scale Details

8120X	Expedition rack, complete (includes traction boards, shovel, axe, jack, fire extinguisher, fuel cans, & mounting hardware) (fits #8111 or #8111R body)
8120R	Expedition rack, complete (includes traction boards, shovel, axe, jack, fire extinguisher, fuel cans, & mounting hardware) (fits #8111, 8111R, or 8213 series bodies)
8120A	Expedition rack/ mounting hardware (fits #8111, 8111R, or 8213 series bodies)
8422-BLK	Fire extinguisher, black (2)
8422	Fire extinguisher, red (2)
8022T	Fuel canisters (black) (2)/ screw pin
8022R	Fuel canisters (blue) (2)/ screw pin
8022-GRN	Fuel canisters (green) (2)/ screw pin
8022	Fuel canisters (red) (2)/ screw pin
8022X	Fuel canisters (white) (2)/ screw pin
8022A	Fuel canisters (yellow) (2)/ screw pin
8023	Jack (1)/ 2x8 BCS (1)
8023T	Jack (black) (1)/ 2x8 BCS (1)
8122-BLK	Shovel/ axe (black)/ accessory mount/ mounting hardware
8122	Shovel/ axe/ accessory mount/ mounting hardware
8121X	Traction boards, blue/ mounting hardware
8121G	Traction boards, green/ mounting hardware
8121A	Traction boards, yellow/ mounting hardware
8121	Traction boards/ mounting hardware

### Shock Oil

5031	Oil, shock (20 wt, 200 cSt, 60cc) (silicone)
5032	Oil, shock (30 wt, 350 cSt, 60cc) (silicone)
5033	Oil, shock (40 wt, 500 cSt, 60cc) (silicone)
5034	Oil, shock (50 wt, 600 cSt, 60cc) (silicone)
5035	Oil, shock (60 wt, 700 cSt, 60cc) (silicone)
5036	Oil, shock (70 wt, 900 cSt, 60cc) (silicone)
5037	Oil, shock (80 wt, 1,000 cSt, 60cc) (silicone)
5029	Shock oil bottle (60cc) (for mixing shock oil)
5038X	Shock oil set (includes 20 wt, 30 wt, 40 wt, 50 wt, 60 wt, 70 wt, & 80 wt premium shock oils with spinning carousel rack)
5038	Spinning carousel rack

### Shocks (GTS)

8266A	Body, GTS shock (aluminum, blue-anodized) (1)
8266G	Body, GTS shock (aluminum, green-anodized) (1)
8266R	Body, GTS shock (aluminum, red-anodized) (1)
8266	Body, GTS shock (aluminum, silver-anodized) (1)
8266X	Body, GTS shock (hard-anodized, PTFE-coated aluminum) (1)
8264	Caps & spring retainers, GTS shocks (upper cap (2)/ hollow balls (4)/ bottom cap (2)/ upper retainer (2)/ lower retainer (2))
8274	Hollow ball set, complete, TRX-4® (aluminum, PTFE-coated)
5475	Multi-tool (plastic)
8261	Piston, damper (red) (4)/ e-clips (8)
8262	Rebuild kit, TRX-4® shocks (x-rings, o-rings, pistons, bushings, e clips, rod ends, and travel limiters)
8263	Shock shaft, 3x47mm (GTS) (2)
8263T	Shock shaft, 3x47mm (GTS) (titanium nitride-coated) (2)
8260X	Shocks, GTS hard-anodized, PTFE-coated aluminum bodies with TiN shafts (assembled with spring retainers) (2)
8260A	Shocks, GTS, blue-anodized (assembled with spring retainers) (2)
8260G	Shocks, GTS, green-anodized (assembled with spring retainers) (2)

8260R	Shocks, GTS, red-anodized (assembled with spring retainers) (2)
8260	Shocks, GTS, silver aluminum (assembled with spring retainers) (2)

### Slipper Clutch Components

8292	Input shaft/ output shaft (transmission)
8286	Output shafts (transfer case), front & rear
8254	Rebuild kit, slipper clutch (steel disc (2)/ friction insert (2)/ 4.0mm NL (1)/ spring washers (2))
8249	Slipper eliminator plate

### Springs

8040	Springs, shock (GTS) (rear) (0.54 rate) (2)
8042	Springs, shock (natural finish) (GTS) (0.22 rate, yellow stripe) (2)
8043	Springs, shock (natural finish) (GTS) (0.30 rate, white stripe) (2)
8044	Springs, shock (natural finish) (GTS) (0.39 rate, orange stripe) (2)
8045	Springs, shock (natural finish) (GTS) (0.61 rate, blue stripe) (2)

### Spur Gears & Pinion Gears

6746	Gear, 10-T pinion (32-p) (steel) (fits 3mm shaft)/ set screw
6747	Gear, 11-T pinion (32-p) (steel) (fits 3mm shaft)/ set screw
3942X	Gear, 12-T pinion (32-p), heavy duty (machined, hardened steel) (fits 3mm shaft)/ set screw
3943X	Gear, 13-T pinion (32-p), heavy duty (machined, hardened steel) (fits 3mm shaft)/ set screw
3944X	Gear, 14-T pinion (32-p), heavy duty (machined, hardened steel) (fits 3mm shaft)/ set screw
3945X	Gear, 15-T pinion (32-p), heavy duty (machined, hardened steel) (fits 3mm shaft)/ set screw
3946X	Gear, 16-T pinion (32-p), heavy duty (machined, hardened steel) (fits 3mm shaft)/ set screw
3947X	Gear, 17-T pinion (32-p), heavy duty (machined, hardened steel) (fits 3mm shaft)/ set screw
3948X	Gear, 18-T pinion (32-p), heavy duty (machined, hardened steel) (fits 3mm shaft)/ set screw
3949X	Gear, 19-T pinion (32-p), heavy duty (machined, hardened steel) (fits 3mm shaft)/ set screw
3950X	Gear, 20-T pinion (32-p), heavy duty (machined, hardened steel) (fits 3mm shaft)/ set screw
3951X	Gear, 21-T pinion (32-p), heavy duty (machined, hardened steel) (fits 3mm shaft)/ set screw
3952X	Gear, 22-T pinion (32-p), heavy duty (machined, hardened steel) (fits 3mm shaft)/ set screw
6745	Gear, 9-T pinion (32-p) (steel) (fits 3mm shaft)/ set screw
8052	Spur gear, 39-tooth (32-pitch)
8053	Spur gear, 45-tooth (32-pitch)

### Steering Components

8232	Caster blocks (portal drive), left & right
8232X	Caster blocks, 6061-T6 aluminum (blue-anodized), left and right
8232A	Caster blocks, 6061-T6 aluminum (charcoal gray-anodized), left and right
8232G	Caster blocks, 6061-T6 aluminum (green-anodized), left and right
8232R	Caster blocks, 6061-T6 aluminum (red-anodized), left and right
2072X	Gear set, metal (for 2070, 2075 servos)
2072R	Gear set, metal, high-speed (for 2070, 2075 servos)
8274	Hollow ball set, complete, TRX-4® (aluminum, PTFE-coated)
5355	Hollow ball, tall centered (2)/ tall offset hollow ball (2)/ bump steer adjustment shims; 3.5mm (2), 1.17mm (2)
8275	Rod end set, complete (standard (10), angled 10-degrees (8), offset (4))
8276	Rod ends (10)
8277	Rod ends, angled 10-degrees (8)
2742	Rod ends, long (6)/ hollow ball connectors (6)
8278	Rod ends, offset (4)
8247X	Servo horn, steering, metal/ 3x14 BCS (1)
2075R	Servo, digital high-speed, metal gear (ball bearing), waterproof
2250	Servo, digital high-torque 330 coreless, metal gear (ball bearing), waterproof
2255	Servo, digital high-torque 400 brushless, metal gear (ball bearing), waterproof
2075X	Servo, digital high-torque, metal gear (ball bearing), waterproof
5529	Shim set, 3x7x1mm (2), 3x6x0.5mm (4), 3x7x2mm (2)/ hollow balls, captured (4)
8246	Steering link, 5x60mm (1)/ draglink, 5x117mm (1) (steel)
8243	Suspension link, front, 5x100mm (lower) (steel) (2)
8244	Suspension link, front, 5x63mm (upper) (steel) (2)
8245	Suspension link, rear, 5x121mm (upper or lower) (steel) (2)

### Suspension Linkage

8058	Chassis conversion kit, TRX-4® (long to short wheelbase) (includes rear upper & lower suspension links, front & rear inner fenders, short female half shaft, battery tray, 3x8mm FCS (4))
8057	Chassis conversion kit, TRX-4® (short to long wheelbase) (includes rear upper & lower suspension links, front & rear shock towers, long female half shaft)
8274	Hollow ball set, complete, TRX-4® (aluminum, PTFE-coated)
5355	Hollow ball, tall centered (2)/ tall offset hollow ball (2)/ bump steer adjustment shims; 3.5mm (2), 1.17mm (2)
8275	Rod end set, complete (standard (10), angled 10-degrees (8), offset (4))
8276	Rod ends (10)
8277	Rod ends, angled 10-degrees (8)
2742	Rod ends, long (6)/ hollow ball connectors (6)
8278	Rod ends, offset (4)
5529	Shim set, 3x7x1mm (2), 3x6x0.5mm (4), 3x7x2mm (2)/ hollow balls, captured (4)
8243	Suspension link, front, 5x100mm (lower) (steel) (2)
8244	Suspension link, front, 5x63mm (upper) (steel) (2)
8248	Suspension link, rear, 5x109mm (upper or lower) (steel) (2)
8245	Suspension link, rear, 5x121mm (upper or lower) (steel) (2)

### Team Traxxas Items

9916	Backpack, RC car carrier, 12" x 12" x 24" (fits TRX-4 & similar)
2514	Decal sheet, racing sponsors
9917	Duffel bag, medium, 30" x 12" x 12" (fits 1/10 Slash®, TRX-4®, & similar)
9950	Official Team Traxxas® racing decal set(flag logo/ 6-color)
9909	Traxxas® racing banner, red & black (3x7 feet)

### Tires & Wheels

8169T	Beadlock rings, black (1.9") (aluminum) (4)/ 2x10 CS (48)
8168T	Beadlock rings, black (2.2") (aluminum) (4)/ 2x10 CS (48)
8169X	Beadlock rings, blue (1.9") (aluminum) (4)/ 2x10 CS (48)
8168X	Beadlock rings, blue (2.2") (aluminum) (4)/ 2x10 CS (48)
8168G	Beadlock rings, green (2.2") (aluminum) (4)/ 2x10 CS (48)
8169R	Beadlock rings, red (1.9") (aluminum) (4)/ 2x10 CS (48)
8168R	Beadlock rings, red (2.2") (aluminum) (4)/ 2x10 CS (48)
8169	Beadlock rings, satin (1.9") (aluminum) (4)/ 2x10 CS (48)
8168	Beadlock rings, satin (2.2") (aluminum) (4)/ 2x10 CS (48)
8164	Center caps, wheel (chrome) (4)/ decal sheet (requires #8255A extended thread stub axle)
8176	Center caps, wheel (chrome) (4)/ decal sheet (requires #8255A extended thread stub axle)
8164X	Center caps, wheel (chrome) (front (2), rear (2)) (requires #8255A extended thread stub axle)
1747P	Nuts, 4mm flanged nylon locking (aluminum, pink anodized) (4)
1747R	Nuts, aluminum, flanged, serrated (4mm) (blue-anodized) (4)
1747G	Nuts, aluminum, flanged, serrated (4mm) (green-anodized) (4)
1747T	Nuts, aluminum, flanged, serrated (4mm) (orange-anodized) (4)
1747A	Nuts, aluminum, flanged, serrated (4mm) (red-anodized) (4)
8174	Tires & wheels, assembled (Method Race Wheels® 105 Beadlock 1.9" black chrome beadlock wheels, Canyon Trail 4.6x1.9" tires, foam inserts) (1 left, 1 right)
8182	Tires & wheels, assembled (Method Race Wheels® 105 Beadlock 1.9" satin black chrome, blue beadlock style wheels, Canyon Trail 4.6x1.9" tires, foam inserts) (1 left, 1 right)
8166	Tires & wheels, assembled, glued (1.9" chrome wheels, Canyon Trail 4.6x1.9" tires) (2)/ center caps (2)/ decal sheet (requires #8255A extended thread stub axle)
8177	Tires & wheels, assembled, glued (1.9" chrome wheels, Canyon Trail 4.6x1.9" tires) (2)/ center caps (2)/ decal sheet (requires #8255A extended thread stub axle)
8166X	Tires & wheels, assembled, glued (1.9" chrome wheels, Canyon Trail 4.6x1.9" tires) (4)/ center caps (4)/ decal sheet (requires #8255A extended thread stub axle)
8183X	Tires & wheels, assembled, glued (1.9" classic chrome wheels, Canyon Trail 4.6x1.9" tires) (4)/ center caps (4)/ decal sheet (requires #8255A extended thread stub axle)
8184	Tires & wheels, assembled, glued (2.2" classic chrome wheels, Canyon Trail 5.3x2.2" tires, foam inserts) (2)/ center caps (front (2), rear (2)) (requires #8255A extended thread stub axle)
8273	Tires & wheels, assembled, glued (Tactical 1.9" wheels, Canyon Trail 4.6x1.9" tires) (2)
8272X	Tires & wheels, assembled, glued (TRX-4® 1.9" satin beadlock wheels, Canyon Trail 4.6x1.9" tires) (2)
8272	Tires & wheels, assembled, glued (TRX-4® 1.9" wheels, Canyon Trail 4.6x1.9" tires) (2)
8179	Tires & wheels, assembled, glued (TRX-4® Sport 1.9" wheels, Canyon Trail 4.6x1.9" tires) (2)

8181-BLUE	Tires & wheels, assembled, glued (TRX-4® Sport 2.2" gray, blue beadlock style wheels, Canyon Trail 5.3x2.2" tires) (2)
8181-GRN	Tires & wheels, assembled, glued (TRX-4® Sport 2.2" gray, green beadlock style wheels, Canyon Trail 5.3x2.2" tires) (2)
8181-RED	Tires & wheels, assembled, glued (TRX-4® Sport 2.2" gray, red beadlock style wheels, Canyon Trail 5.3x2.2" tires) (2)
8172	Tires and wheels, assembled (Method 105 2.2™ black chrome beadlock wheels, Canyon Trail 5.3x2.2™ tires, foam inserts) (1 left, 1 right) (for use with TRX-4 Long Arm Lift Kit)
8181	Tires and wheels, assembled, glued (TRX-4® Sport 2.2™ wheels, Canyon Trail 5.3x2.2™ tires) (2) (for use with TRX-4 Long Arm Lift Kit)
8170	Tires, Canyon Trail 5.3x2.2"/ foam inserts (2)
8269	Wheel hubs, 12mm hex (2)/ stub axle pins (2) (steel)
8269X	Wheel hubs, 12mm hex, 6061-T6 aluminum (blue-anodized) (4)/ 3x10 screw pin (4)
8269A	Wheel hubs, 12mm hex, 6061-T6 aluminum (charcoal gray-anodized) (4)/ 3x10 screw pin (4)
8269G	Wheel hubs, 12mm hex, 6061-T6 aluminum (green-anodized) (4)/ 3x10 screw pin (4)
8269R	Wheel hubs, 12mm hex, 6061-T6 aluminum (red-anodized) (4)/ 3x10 screw pin (4)
8165	Wheels, 1.9", chrome (2)/ center caps (2)/ decal sheet (requires #8255A extended thread stub axle)
8175	Wheels, 1.9", chrome (2)/ center caps (2)/ decal sheet (requires #8255A extended thread stub axle)
8173	Wheels, 1.9", Method Race Wheels® 105 Beadlock (black chrome, beadlock) (beadlock rings sold separately)
8173A	Wheels, 1.9", Method Race Wheels® 105 Beadlock (charcoal gray, beadlock) (beadlock rings sold separately)
8171	Wheels, Method 105 2.2" (black chrome, beadlock) (beadlock rings sold separately) (for use with TRX-4 Long Arm Lift Kit)
8171A	Wheels, Method 105 2.2" (charcoal gray, beadlock) (beadlock rings sold separately) (for use with TRX-4 Long Arm Lift Kit)
8180	Wheels, TRX-4 Sport 2.2 (2) (for use with TRX-4 Long Arm Lift Kit)
8271	Wheels, TRX-4® 1.9 (2)
8271X	Wheels, TRX-4® 1.9 (satin beadlock) (2)
8178	Wheels, TRX-4® Sport 1.9 (2)
8180-BLUE	Wheels, TRX-4® Sport 2.2 (gray, blue beadlock style) (2)
8180-GRN	Wheels, TRX-4® Sport 2.2 (gray, green beadlock style) (2)
8180-RED	Wheels, TRX-4® Sport 2.2 (gray, red beadlock style) (2)
8268	Wheels, TRX-4® Tactical 1.9 (2)

**Transmission Components**

8283	Cable, T-lock (front)
8284	Cable, T-lock (rear)
8195	Differential, locking, front and rear (assembled) (includes T-Lock cables and servos)
8289	Drive hub, 2-speed/ shift dog/ shift fork/ 2-speed linkage
8293X	Gear set, transmission, metal (includes 18T, 30T input gears, 36T output gear, 2x9.8 pins (5))
8291	Gearbox housing (includes main housing, front housing, & cover)
8285	Gears, transfer case (3)
5041	Grease, premium high performance (20cc)
8292	Input shaft/ output shaft (transmission)
8290X	Motor mount plate, 6061-T6 aluminum (blue-anodized)
8290A	Motor mount plate, 6061-T6 aluminum (charcoal gray-anodized)
8290G	Motor mount plate, 6061-T6 aluminum (green-anodized)
8290R	Motor mount plate, 6061-T6 aluminum (red-anodized)
8295	Output drive, transmission or differential (pin retainer (1)/ drive cup (1)/ drive ball (1)/ drive pin (1)/ 3x10 screw pin (1)/ cross pin (black) (1) 3x6 BCS with threadlock (1))
8294	Output gear, high range, 24T (metal)
8286	Output shafts (transfer case), front & rear
8290	Plate, motor/ upper spur gear cover
8249	Slipper eliminator plate
8296	Transmission gears, single speed, metal
8196	Two speed conversion kit

**Traxxas Tools**

3433X	Body reamer (aluminum handle)
3433	Body reamer (plastic handle)
3436	Cap, body reamer
3432	Scissors, curved tip
3431	Scissors, straight tip
8712	Speed Bit Essentials Set, hex and nut driver, 7-piece, includes premium handle (medium), travel pouch, hex drivers (straight: 1.5mm, 2.0mm, 2.5mm) and nut drivers (5.0mm, 5.5mm, 7.0mm, and 8.0mm), 1/4" drive
8720	Speed bit handle, large (overmolded)
8721	Speed bit handle, medium (one piece)

8722	Speed bit handle, premium (rubber overmold)
8710	Speed Bit Master Set, hex and nut driver, 13-piece, includes premium handle (medium), travel pouch, hex drivers (straight: 1.5mm, 2.0mm, 2.5mm, 3.0mm), (ball-end: 2.0mm, 2.5mm, 3.0mm), and nut drivers (4.0mm, 4.5mm, 5.0mm, 5.5mm, 7.0mm, 8.0mm), 1/4" drive
8711	Speed Bit Master Set, hex driver, 7-piece straight and ball end, includes premium handle (medium), travel pouch, hex drivers (straight: 1.5mm, 2.0mm, 2.5mm, 3.0mm) (ball end: 2.0mm, 2.5mm, 3.0mm), 1/4" drive
8719	Speed Bit Master Set, nut driver, 6-piece, includes premium handle (medium), travel pouch, and nut drivers (4.0mm, 4.5mm, 5.0mm, 5.5mm, 7.0mm, 8.0mm), 1/4" drive
8716	Speed Bit Set, hex driver, 2-piece ball-end (2.0mm, 2.5mm), 1/4" drive
8716X	Speed Bit Set, hex driver, 3-piece ball-end (2.0mm, 2.5mm, 3.0mm) 1/4" drive
8715	Speed Bit Set, hex driver, 3-piece straight (1.5mm, 2.0mm, 2.5mm), 1/4" drive
8715X	Speed Bit Set, hex driver, 4-piece straight (1.5mm, 2.0mm, 2.5mm, 3.0mm), 1/4" drive
8714	Speed Bit Set, screwdriver, 3-piece straight (3mm slotted, #1 Phillips, and #2 Phillips bits), 1/4" drive
2748R	Tool set (includes 1.5mm hex wrench / 2.0mm hex wrench / 2.5mm hex wrench/ 4-way wrench/ 8mm & 4mm wrench/ U-joint wrench)
3415	Tool set with pouch (includes 1.5mm, 2.0mm, 2.5mm, 3.0mm, 3.5mm, 4mm drivers/4mm, 5mm, 5.5mm, 7mm, and 8mm nut drivers/ 2mm, 3mm, and 4mm slotted screwdrivers/ #00 Phillips, #0 Phillips, and #1 Phillips screwdrivers/ 4mm and 8mm wrenches/ driver handle)

**TRX-4® Traxx®**

8889	Bearing retainers, inner (2)/ outer (2)
8890	Drive wheel (1)
8885	Shock mounts (frame, left (2), frame, right (2))/ portal mounts (1 each, front (left & right), rear (left & right))
8888	Spring (4)
8887	Stub axle (1)
8886	Stub axle nut (4)
8891	Tension wheels (6)/ road wheels (4)
8881	Traxx®, front, left (assembled) (requires #8887 stub axle, #7061 GTR shock, & #8895 rubber track)
8882	Traxx®, front, right (assembled) (requires #8887 stub axle, #7061 GTR shock, & #8895 rubber track)
8883	Traxx®, rear, left (assembled) (requires #8887 stub axle, #7061 GTR shock, & #8896 rubber track)
8884	Traxx®, rear, right (assembled) (requires #8887 stub axle, #7061 GTR shock, & #8896 rubber track)
8880	Traxx®, TRX-4® (4) (complete set, front & rear)
8895	Treads, All-Terrain, TRX-4® Traxx® (front, left or right) (rubber) (1)
8896	Treads, All-Terrain, TRX-4® Traxx® (rear, left or right) (rubber) (1)

If you have questions or need technical assistance, call Traxxas at:

**1-888-TRAXXAS**

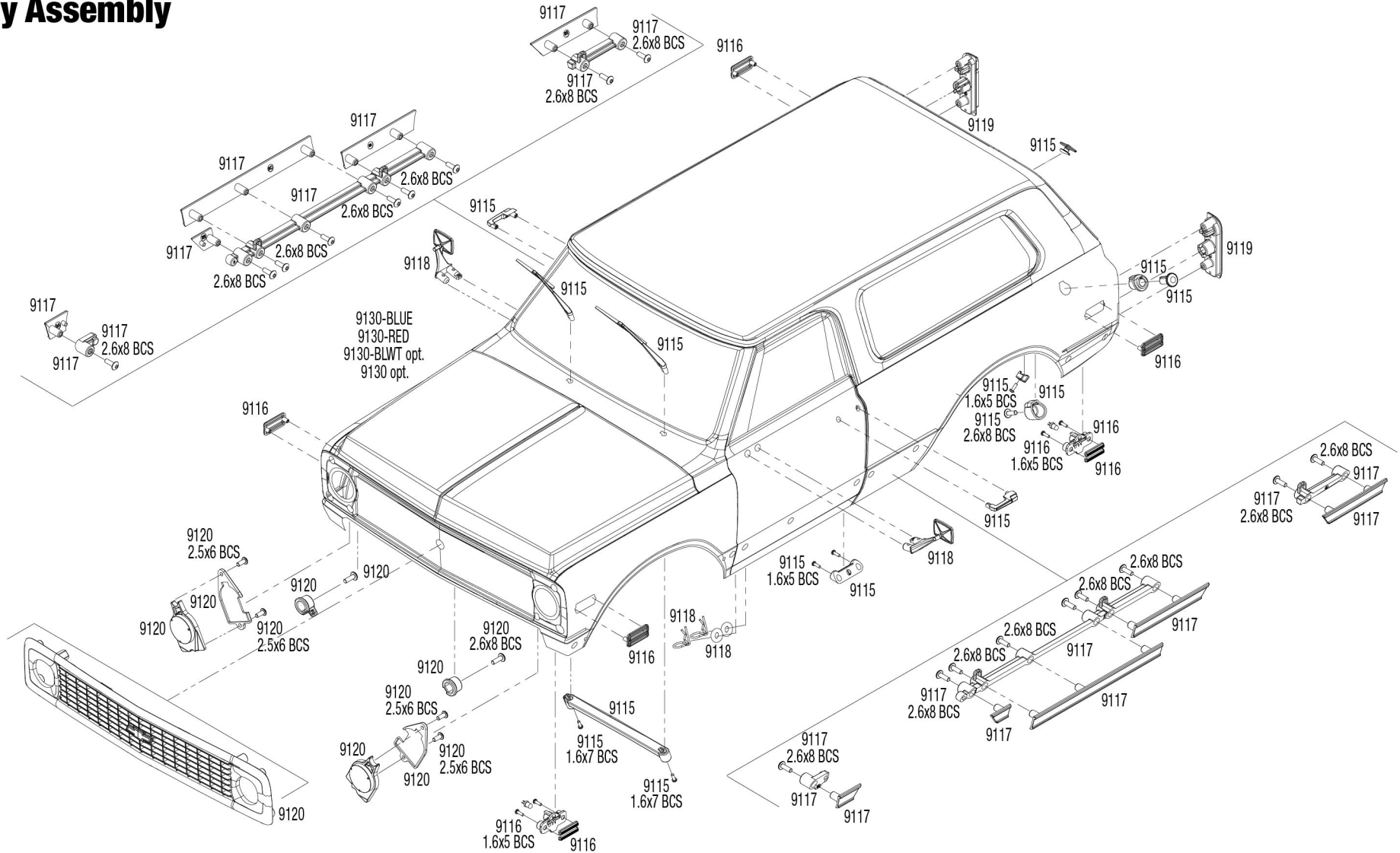
(1-888-872-9927) (U.S. residents only)

For orders, calls outside the U.S., and other information, call 972-549-3000, or fax to 972-549-3011 e-mail Traxxas at support@Traxxas.com

**TRAXXAS.COM**

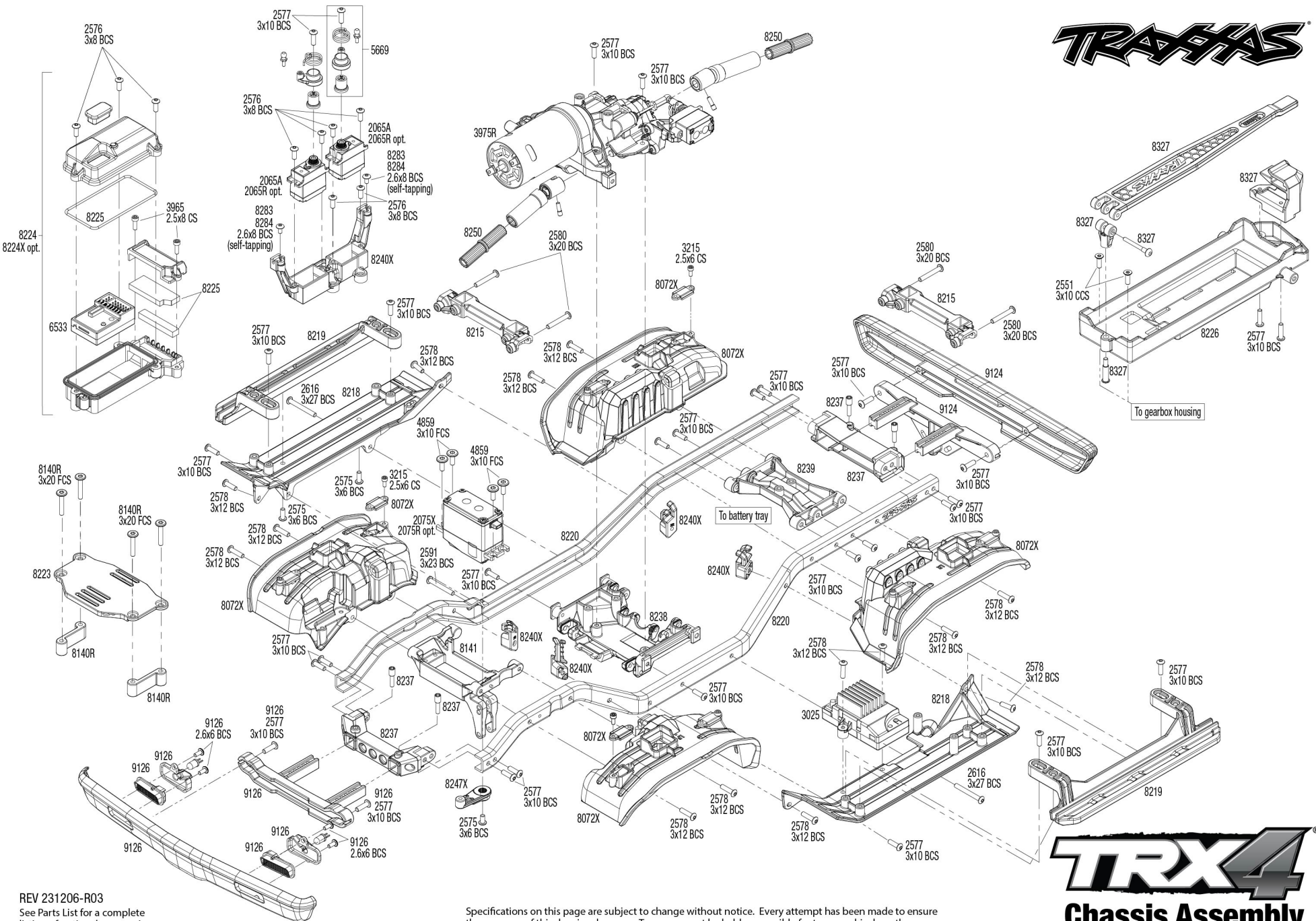


## Body Assembly





# TRAXXAS



REV 231206-R03  
See Parts List for a complete listing of optional accessories.

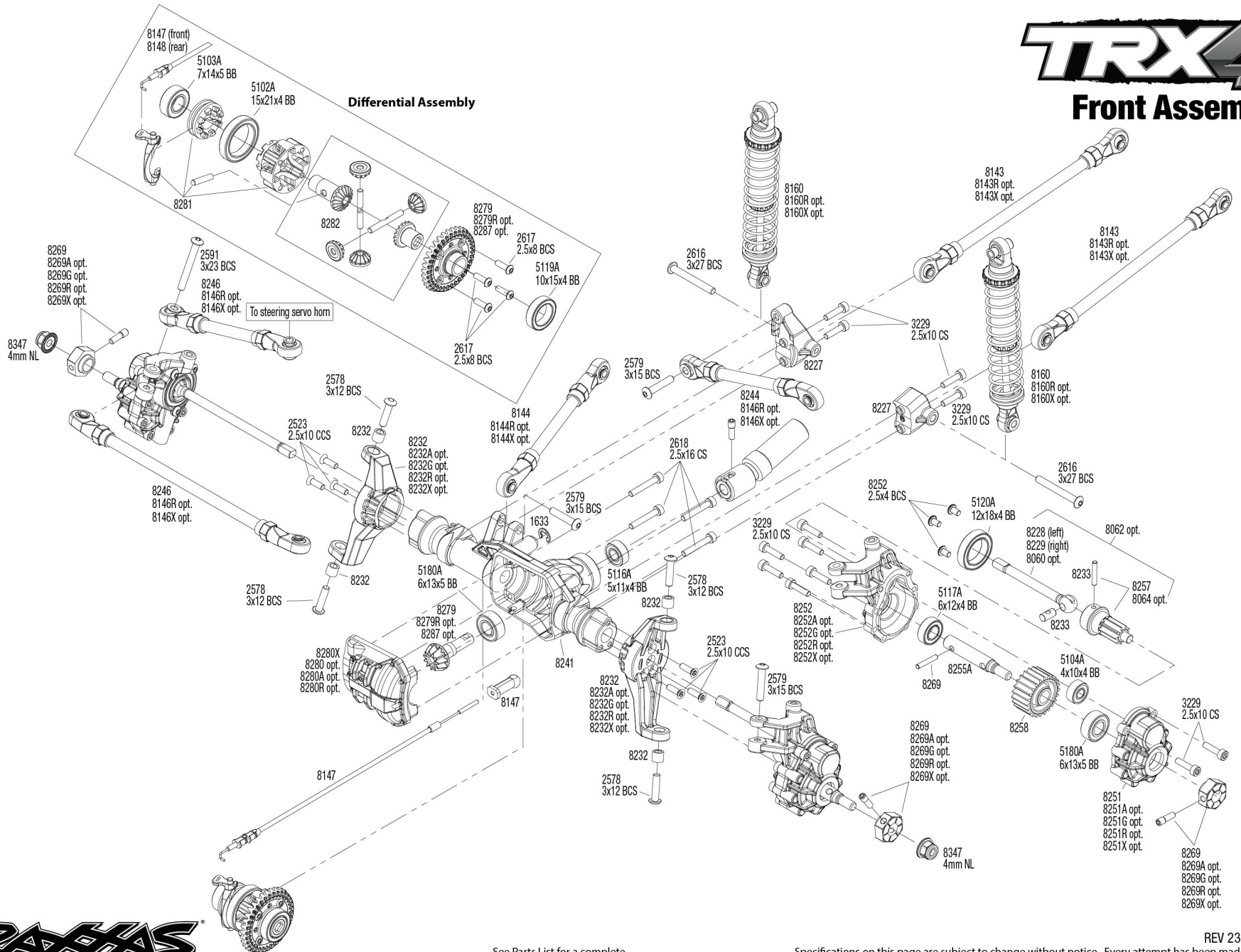
Specifications on this page are subject to change without notice. Every attempt has been made to ensure the accuracy of this drawing; however, Traxxas cannot be held responsible for typographical or other errors.

# TRX4

## Chassis Assembly

# TRX4<sup>®</sup>

## Front Assembly

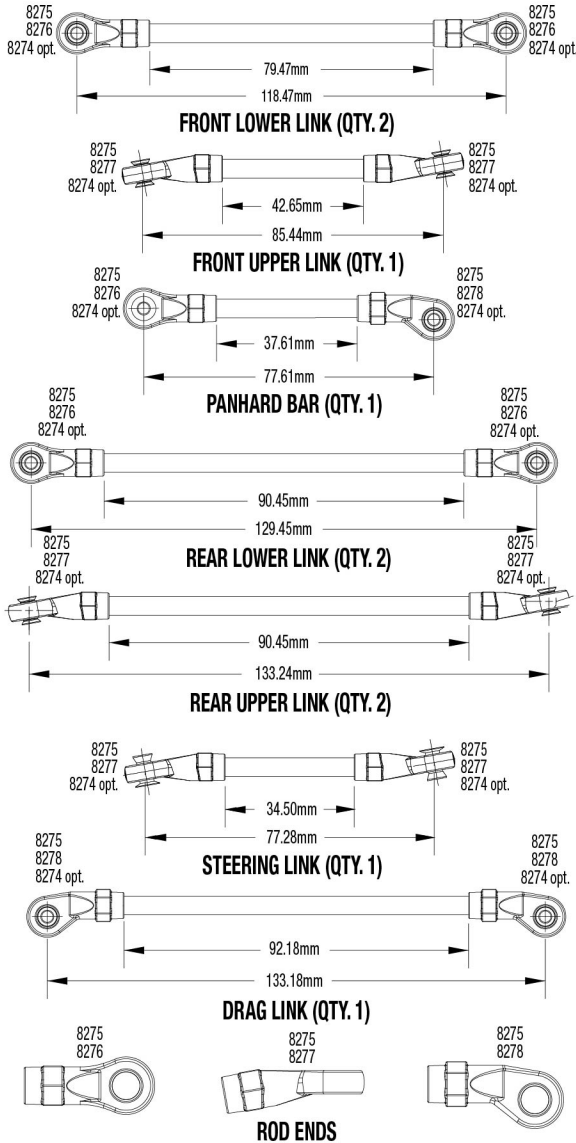


See Parts List for a complete listing of optional accessories.

Specifications on this page are subject to change without notice. Every attempt has been made to ensure the accuracy of this drawing; however, Traxxas cannot be held responsible for typographical or other errors.

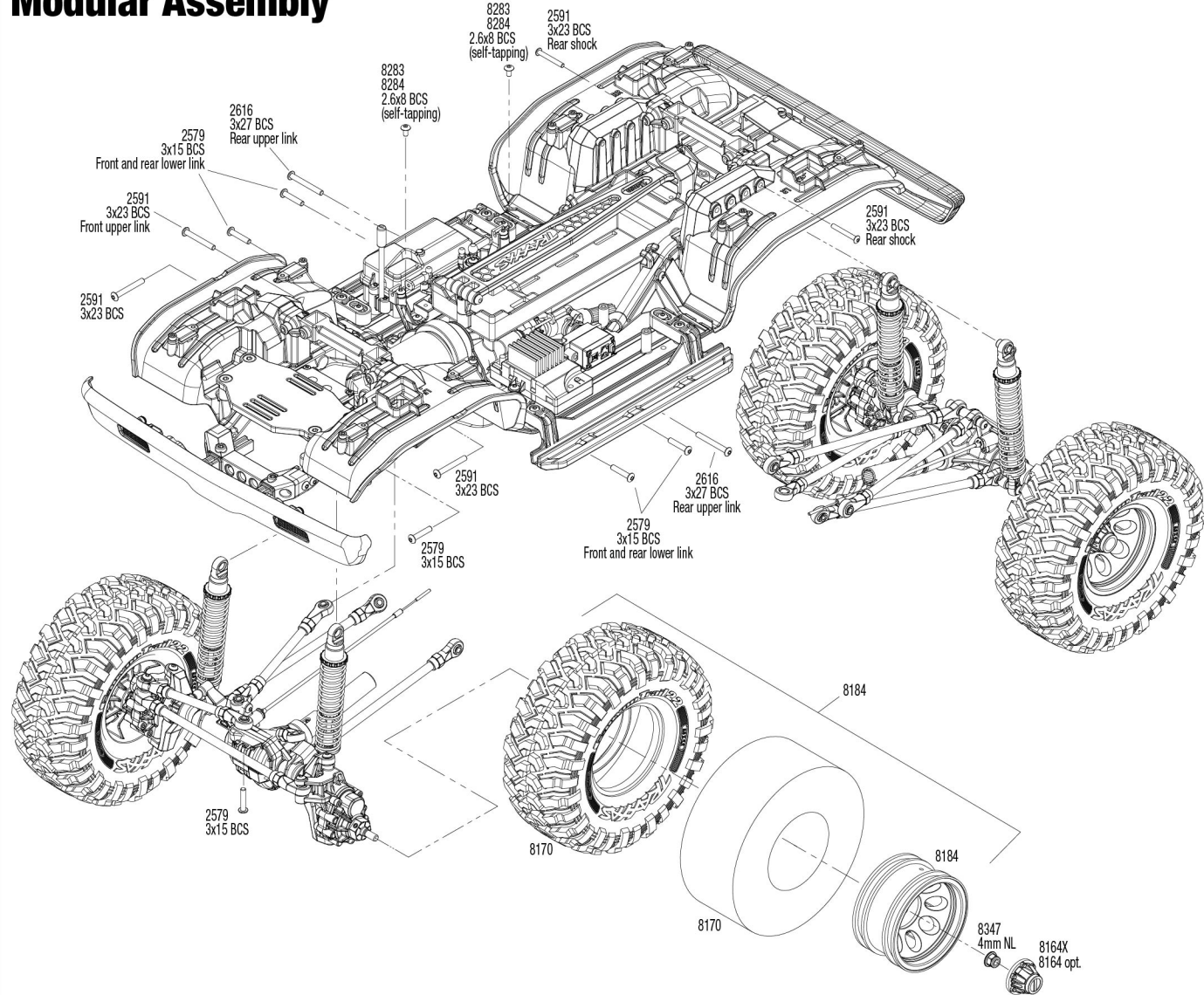
REV 231206-R03

## Link Dimensions



For standard hollow ball replacement, use part #5349.

## Modular Assembly

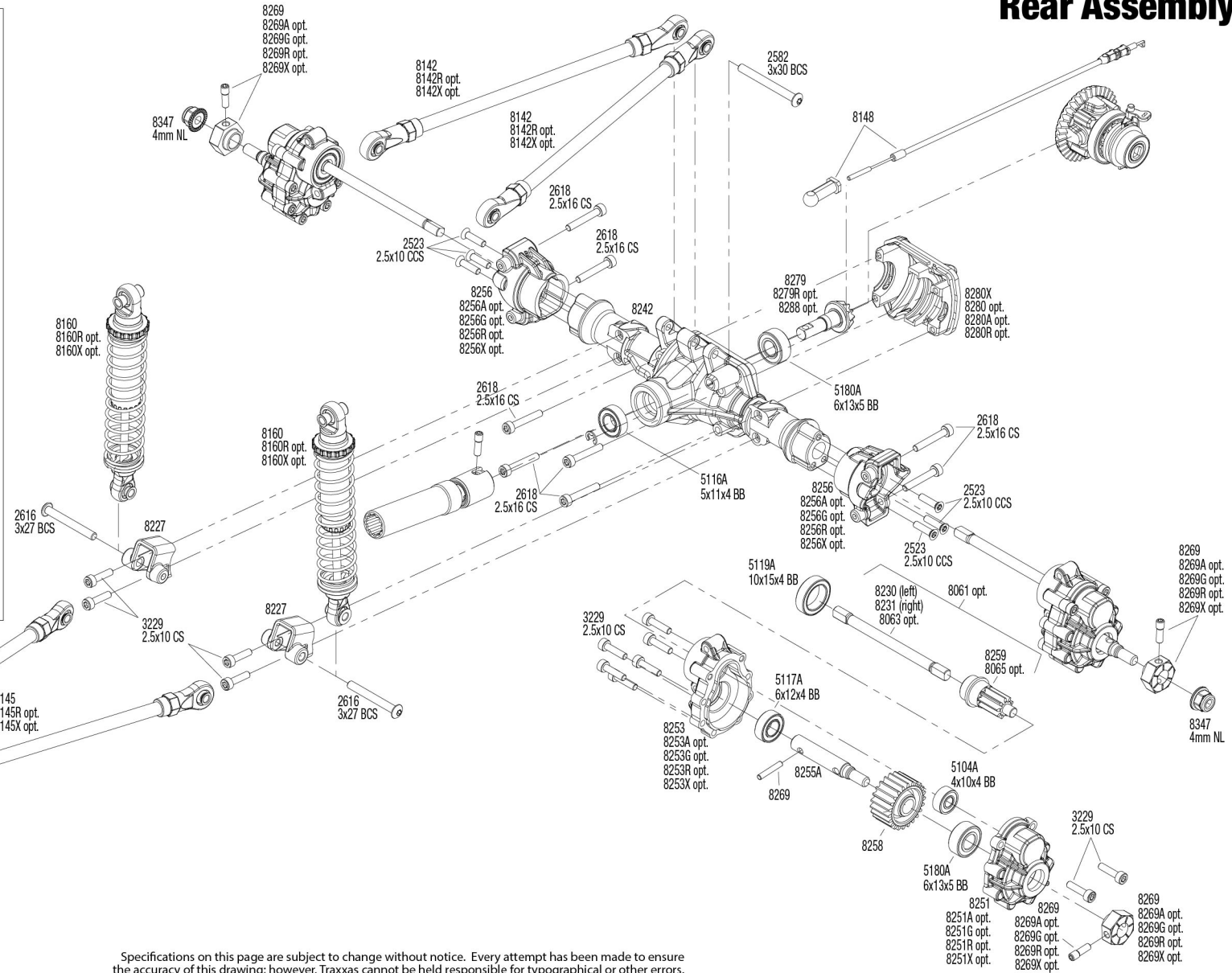
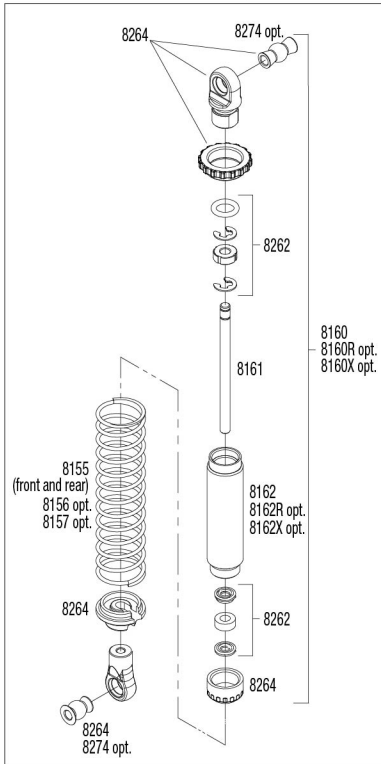


REV 231206-R03

See Parts List for a complete listing of optional accessories.

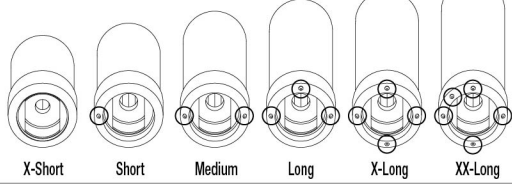
Specifications on this page are subject to change without notice. Every attempt has been made to ensure the accuracy of this drawing; however, Traxxas cannot be held responsible for typographical or other errors.

### Shock Assembly

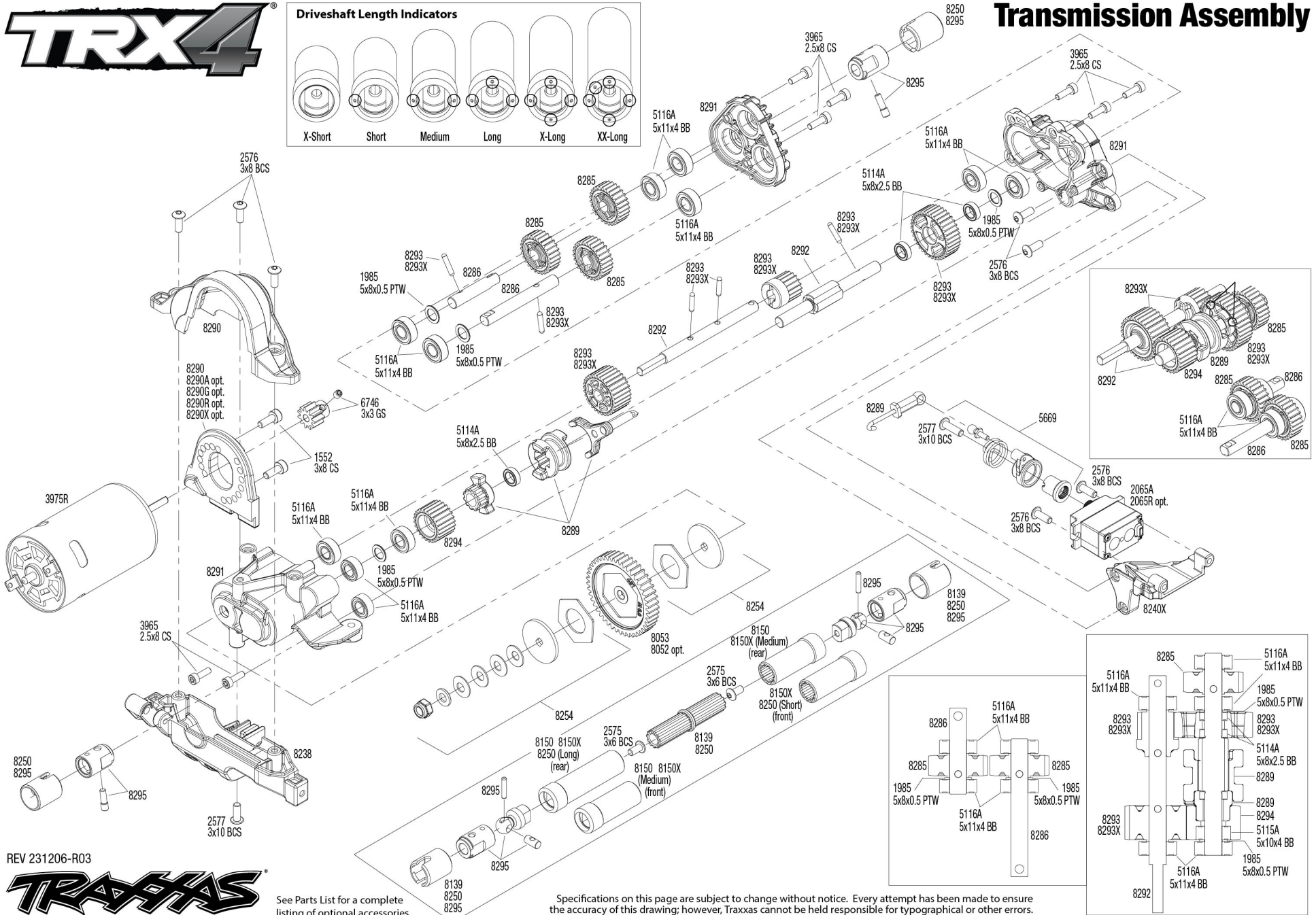




### Driveshaft Length Indicators



# Transmission Assembly



REV 231206-R03



See Parts List for a complete listing of optional accessories.

Specifications on this page are subject to change without notice. Every attempt has been made to ensure the accuracy of this drawing; however, Traxxas cannot be held responsible for typographical or other errors.