



# TRX-4® Sport (Model 82024-4) Parts List

Parts shown in bold are optional accessories. Part categories and individual part listings are arranged alphabetically.

## Axle Components

- 8241 Axle housing, front
- 8242 Axle housing, intermediate (TRX-6™) or rear (TRX-4®)
- 8227 Axle mount set (complete) (front & rear) (for suspension links)
- 8228 Axle shaft, front (left)/ drive pin/ cross pin
- 8229 Axle shaft, front (right)/ drive pin/ cross pin
- 8060 Axle shaft, front, heavy duty (left & right) (requires #8064 front portal drive input gear)**
- 8062 Axle shaft, front, heavy duty (left & right)/ portal drive input gear, front (machined) (2) (assembled)**
- 8230 Axle shaft, rear (left)
- 8231 Axle shaft, rear (right)
- 8063 Axle shaft, rear, heavy duty (left & right) (requires #8065 rear portal drive input gear)**
- 8061 Axle shaft, rear, heavy duty (left & right)/ portal drive input gear, rear (machined) (2) (assembled)**
- 8233 Cross pin (2)/ drive pin (2) (to rebuild front axle shafts)
- 8256 Portal drive axle mount, rear (left & right)
- 8256X Portal drive axle mount, rear, 6061-T6 aluminum (blue-anodized) (left and right)/ 2.5x16 CS (4)**
- 8256A Portal drive axle mount, rear, 6061-T6 aluminum (charcoal gray-anodized) (left and right)/ 2.5x16 CS (4)**
- 8256G Portal drive axle mount, rear, 6061-T6 aluminum (green-anodized) (left and right)/ 2.5x16 CS (4)**
- 8256R Portal drive axle mount, rear, 6061-T6 aluminum (red-anodized) (left and right)/ 2.5x16 CS (4)**
- 8252 Portal drive housing, inner, front (left & right)/ 2.5x4 BCS (6)
- 8253 Portal drive housing, inner, rear (left or right) (2)
- 8251 Portal drive housing, outer (front or rear) (2)
- 8064 Portal drive input gear, front (machined) (left or right) (requires #8060 front axle shaft)**
- 8257 Portal drive input gear, front/ drive pin/ cross pin
- 8259 Portal drive input gear, rear
- 8065 Portal drive input gear, rear (machined) (left or right) (requires #8063 rear axle)**
- 8258 Portal drive output gear, front or rear
- 8252X Portal housings, inner (front), 6061-T6 aluminum (blue-anodized) (2)/ 3x12 BCS (2)**
- 8252A Portal housings, inner (front), 6061-T6 aluminum (charcoal gray-anodized) (2)/ 3x12 BCS (2)**
- 8252G Portal housings, inner (front), 6061-T6 aluminum (green-anodized) (2)/ 3x12 BCS (2)**
- 8252R Portal housings, inner (front), 6061-T6 aluminum (red-anodized) (2)/ 3x12 BCS (2)**
- 8253X Portal housings, inner (rear), 6061-T6 aluminum (blue-anodized) (2)/ 2.5x10 CS (2)**
- 8253A Portal housings, inner (rear), 6061-T6 aluminum (charcoal gray-anodized) (2)/ 2.5x10 CS (2)**
- 8253G Portal housings, inner (rear), 6061-T6 aluminum (green-anodized) (2)/ 2.5x10 CS (2)**
- 8253R Portal housings, inner (rear), 6061-T6 aluminum (red-anodized) (2)/ 2.5x10 CS (2)**
- 8251X Portal housings, outer, 6061-T6 aluminum (blue-anodized) (2)/ 2.5x10 CS (12)**
- 8251A Portal housings, outer, 6061-T6 aluminum (charcoal gray-anodized) (2)/ 2.5x10 CS (12)**
- 8251G Portal housings, outer, 6061-T6 aluminum (green-anodized) (2)/ 2.5x10 CS (12)**
- 8251R Portal housings, outer, 6061-T6 aluminum (red-anodized) (2)/ 2.5x10 CS (12)**
- 8255 Stub axle (portal drive) (2)
- 8255A Stub axle, extended thread (portal drive) (2)**
- 8267 Weight, portal housing, brass (2) (34 grams)/ 2.5x8 CS (6) (requires #8251X, 8251R, 8251A, or 8251G outer portal housing)**

## Bearings & Bushings

- 8214 Ball bearing kit, stainless steel, TRX-4® (complete)**
- 8265 Ball bearing kit, TRX-4® (complete)**
- 5119A Ball bearings, black rubber sealed (10x15x4mm) (2)
- 5120A Ball bearings, black rubber sealed (12x18x4mm) (2)
- 5102A Ball bearings, black rubber sealed (15x21x4mm) (2)**
- 5104A Ball bearings, black rubber sealed (4x10x4mm) (2)
- 5115A Ball bearings, black rubber sealed (5x10x4mm) (2)
- 5116A Ball bearings, black rubber sealed (5x11x4mm) (2)
- 5114A Ball bearings, black rubber sealed (5x8x2.5mm) (2)
- 5117A Ball bearings, black rubber sealed (6x12x4mm) (2)

- 5180A Ball bearings, black rubber sealed (6x13x5mm) (2)
- 5103A Ball bearings, black rubber sealed (7x14x5mm) (2)

## Body (1969 Chevrolet® Blazer)

- 9112 Body, Chevrolet Blazer (1969 - 1970) (clear, requires painting) (includes grille, side mirrors, door handles, windshield wipers, decals, window masks)**
- 9131 Body, Chevrolet Blazer (1969) (clear, requires painting)/ decals/ window masks (includes grille, side mirrors, door handles, windshield wipers, clipless mounting, hardware) (requires #8072X inner fenders)**
- 9131-BLK Body, Chevrolet Blazer (1969), complete, black (painted) (includes grille, side mirrors, door handles, windshield wipers, front & rear bumpers, clipless mounting) (requires #8072X inner fenders)**
- 9112X Body, Chevrolet Blazer (1969), complete, black (painted) (includes grille, side mirrors, door handles, windshield wipers, front & rear bumpers, decals)**
- 9125 Bumper pads/ bumper guards (chrome)/ 2.5x12 BCS (4)/ 2.7mm drill bit (fits #9126 or #9127 front bumpers)**
- 9127 Bumper, front (chrome)/ bumper mount/ 3x10 BCS (2)**
- 9124 Bumper, rear (chrome)/ bumper mount/ 3x10 BCS (2)**
- 9113 Decal sheets, Chevrolet Blazer (1969 - 1972)**
- 6593 Distribution block, Pro Scale® Advanced Lighting Control System**
- 9115 Door handles, left, right, and rear/ retainers (3)/ windshield wipers, left & right/ retainer (1)/ fuel cap/ fuel flange/ fuel cap mount/ 1.6x5 BCS (self-tapping) (7)/ 2.6x8 BCS (1)**
- 9123 Grille, Chevrolet Blazer (1969 - 1970)/ grille retainers (5)/ headlight housing (2)/ headlight lens (2)/ turn signal lens (2)/ hood emblem/ hood emblem mount/ 2.6x8 BCS (5)/ 2.5x6 BCS (4)/ 1.6x5 BCS (self-tapping) (2) (fits #9112 body)**
- 8091 Installation kit, Pro Scale® Advanced Lighting Control System, TRX-4® Chevrolet Blazer (1969 & 1972) (includes mount, reverse lights and turn signal harnesses, hardware)**
- 9114-BLK Interior, Chevrolet Blazer (1969 -1972) (black) (includes rollbar, gauge bezel, steering wheel and column, shifter, armrest, decals) (fits #9111, 9112, 9130, or 9131 series bodies) (#9111 or 9112 series bodies require #9128 body cage for installation)**
- 9114-BLUE Interior, Chevrolet Blazer (1969 -1972) (blue) (includes rollbar, gauge bezel, steering wheel and column, shifter, armrest, decals) (fits #9111, 9112, 9130, or 9131 series bodies) (#9111 or 9112 series bodies require #9128 body cage for installation)**
- 9114 Interior, Chevrolet Blazer (1969 -1972) (clear, requires painting) (includes rollbar, gauge bezel, steering wheel and column, shifter, armrest, decals) (fits #9111, 9112, 9130, or 9131 series bodies) (#9111 or 9112 series bodies require #9128 body cage for installation)**
- 9116 Marker light housing (4)/ marker light mount (4)/ marker light lens (red (2), amber (2))/ reverse lens (left & right)/ 1.6x5 BCS (self-tapping) (8)**
- 9121 Mirrors, side, chrome (left & right)/ o-rings (4)/ body clips (4) (fits #9112 body)**
- 6592 Power module, Pro Scale® Advanced Lighting Control System (includes mount, communication cables, hardware)**
- 6591 Pro Scale® Advanced Lighting Control System (includes power module & distribution block)**
- 6594 Receiver communication cable, Pro Scale® Advanced Lighting Control System**
- 9122 Tail light housing, black (2)/ lens (2)/ retainers (left & right)/ 2.6x8 BCS (self-tapping) (4)**

## Body (1972 Chevrolet® Blazer)

- 9111 Body, Chevrolet Blazer (1972) (clear, requires painting) (includes grille, side mirrors, side trim, door handles, windshield wipers, decals, window masks)**
- 9130-BLWT Body, Chevrolet Blazer (1972), complete, blue & white (painted) (includes grille, side mirrors, door handles, windshield wipers, front & rear bumpers, clipless mounting) (requires #8072X inner fenders)**
- 9130-BLUE Body, Chevrolet Blazer (1972), complete, blue (painted) (includes grille, side mirrors, door handles, windshield wipers, front & rear bumpers, clipless mounting) (requires #8072X inner fenders)**
- 9111X Body, Chevrolet Blazer (1972), complete, blue (painted) (includes grille, side mirrors, door handles, windshield wipers, front & rear bumpers, decals)**
- 9130-RED Body, Chevrolet Blazer (1972), complete, red (painted) (includes grille, side mirrors, door handles, windshield wipers, front & rear bumpers, clipless mounting) (requires #8072X inner fenders)**

**Page 2 TRX-4® Sport: TQ™ 2.4 GHz Radio (Model 82024-4) Parts List**

9125	Bumper pads/ bumper guards (chrome)/ 2.5x12 BCS (4)/ 2.7mm drill bit (fits #9126 or #9127 front bumpers)	8038X	Pro Scale® LED light set, TRX-4® Chevrolet Blazer or K10 Truck (1979), complete with power module (contains headlights, tail lights, side marker lights, & distribution block) (fits #8130 or 9212 series bodies)
9126	Bumper, front (chrome)/ bumper mount/ lens (left and right) (2)/ lens mount (left and right) (2)/ 3x10 BCS (2)/ 2.6x6 BCS (4)	6594	Receiver communication cable, Pro Scale® Advanced Lighting Control System
9124	Bumper, rear (chrome)/ bumper mount/ 3x10 BCS (2)	8135	Tail lights, left & right (assembled)/ tail light retainers, left & right/ side marker lights (assembled) (2)/ side marker retainers (2)/ mounting tape (2)/ 1.6x5 BCS (self-tapping) (4)/ 2.6x8 BCS (2) (fits #8130 or 9212 series bodies)
9113	Decal sheets, Chevrolet Blazer (1969 - 1972)		
6593	Distribution block, Pro Scale® Advanced Lighting Control System		
9115	Door handles, left, right, and rear/ retainers (3)/ windshield wipers, left & right/ retainer (1)/ fuel cap/ fuel flange/ fuel cap mount/ 1.6x5 BCS (self-tapping) (7)/ 2.6x8 BCS (1)		
9120	Grille, Chevrolet Blazer (1972)/ grille retainers (5)/ headlight housing (2)/ lens (2)/ 2.6x8 BCS (5)/ 2.5x6 BCS (4) (fits #9111 body)		
8091	Installation kit, Pro Scale® Advanced Lighting Control System, TRX-4® Chevrolet Blazer (1969 & 1972) (includes mount, reverse lights and turn signal harnesses, hardware)		
9114-BLK	Interior, Chevrolet Blazer (1969 -1972) (black) (includes rollbar, gauge bezel, steering wheel and column, shifter, armrest, decals) (fits #9111, 9112, 9130, or 9131 series bodies) (#9111 or 9112 series bodies require #9128 body cage for installation)		
9114-BLUE	Interior, Chevrolet Blazer (1969 -1972) (blue) (includes rollbar, gauge bezel, steering wheel and column, shifter, armrest, decals) (fits #9111, 9112, 9130, or 9131 series bodies) (#9111 or 9112 series bodies require #9128 body cage for installation)		
9114	Interior, Chevrolet Blazer (1969 -1972) (clear, requires painting) (includes rollbar, gauge bezel, steering wheel and column, shifter, armrest, decals) (fits #9111, 9112, 9130, or 9131 series bodies) (#9111 or 9112 series bodies require #9128 body cage for installation)		
9116	Marker light housing (4)/ marker light mount (4)/ marker light lens (red (2), amber (2))/ reverse lens (left & right)/ 1.6x5 BCS (self-tapping) (8)		
9118	Mirrors, side, chrome (left & right)/ o-rings (4)/ body clips (4) (fits #9111 body)		
6592	Power module, Pro Scale® Advanced Lighting Control System (includes mount, communication cables, hardware)		
6591	Pro Scale® Advanced Lighting Control System (includes power module & distribution block)		
6594	Receiver communication cable, Pro Scale® Advanced Lighting Control System		
9117	Side trim, Chevrolet Blazer (1972), left & right/ rear trim, upper & lower/ retainers, left, right & rear/ 2.6x8 BCS (23)/ 1.6x5 BCS (self-tapping) (5) (fits #9111 body)		
9119	Tail light housing, chrome (2)/ lens (2)/ retainers (left & right)/ 2.6x8 BCS (self-tapping) (4)		

**Body (1979 Chevrolet® Blazer)**

8130T	Body, Chevrolet Blazer (1979), complete (black) (includes grille, side mirrors, door handles, windshield wipers, front & rear bumpers, decals)
8130P	Body, Chevrolet Blazer (1979), complete (clear, requires painting) (includes grille, side mirrors, side trim, door handles, windshield wipers, decals, window masks)
8130X	Body, Chevrolet Blazer (1979), complete (orange) (includes grille, side mirrors, door handles, windshield wipers, front & rear bumpers, decals)
8130R	Body, Chevrolet Blazer (1979), complete (red) (includes grille, side mirrors, door handles, windshield wipers, front & rear bumpers, decals)
8131	Decal sheet, Chevrolet Blazer (1979)
6593	Distribution block, Pro Scale® Advanced Lighting Control System
8132	Door handles, left, right & rear tailgate/ windshield wipers, left & right/ retainers (2)/ 1.6x5 BCS (self-tapping) (7) (fits #8130 series bodies)
8134	Grille, Chevrolet Blazer or K10 Truck (1979)/ grille retainers (4)/ headlight housing (2)/ lens (2)/ 2.6x8 BCS (4)/ 2.5x6 BCS (2) (fits #8130 or 9212 series bodies)
8082	Installation kit, Pro Scale® Advanced Lighting Control System, TRX-4® Chevrolet Blazer (1979) (includes mount, reverse lights harness, hardware)
8039	LED light set (contains headlights, tail lights, side marker lights, & distribution block) (fits #8130 series bodies, requires #8028 power supply)
8038	LED light set, complete with power supply (contains headlights, tail lights, side marker lights, & distribution block) (fits #8130 series bodies)
8133X	Mirrors, side (folding) (fits #8130 series bodies)
8133	Mirrors, side, chrome (left & right)/ o-rings (4)/ body clips (4) (fits #8130 series bodies)
6592	Power module, Pro Scale® Advanced Lighting Control System (includes mount, communication cables, hardware)
6591	Pro Scale® Advanced Lighting Control System (includes power module & distribution block)

**Body (1979 Ford® Bronco)**

8010X	Body, Ford Bronco, complete (black) (includes front and rear bumpers, push bar, rear body mount, grille, side mirrors, door handles, windshield wipers, spare tire mount, red and sunset decals) (requires #8072 inner fenders)
8078R	Decal sheet, Bronco, red (fits #8010 body)
6593	Distribution block, Pro Scale® Advanced Lighting Control System
8075	Door handles, left & right/ windshield wipers, left & right/ retainers (3)/ 1.6x5 BCS (self-tapping) (4) (fits #8010 or 9230 series bodies)
8070	Grille, Ford Bronco or F-150/ grille retainers (6)/ headlight housing (2)/ lens (2)/ 2.6x8 BCS (6)/ 2.5x6 BCS (2) (fits #8010 or 9230 series bodies)
8032R	Installation kit, Pro Scale® Advanced Lighting Control System, TRX-4® Ford Bronco (1979), Ford F-150 (1979), or Chevrolet K10 Truck (1979) (includes mount, reverse lights harness, hardware)
8036R	LED light set (contains headlights, tail lights, side marker lights, and distribution block) (fits #8010 or 9230 series bodies, requires #8028 power supply)
8035A	LED light set, complete with power supply (contains headlights, tail lights, side marker lights, & distribution block) (fits #8010 or 9230 series bodies)
8037	LED lights, high/low switch (for #8035 or #8036 LED light kits)
8073	Mirrors, side, black (left & right)/ retainers (2)/ body clips (4) (fits #8010 or 9230 series bodies)
8073X	Mirrors, side, chrome (left & right)/ retainers (2)/ body clips (4) (fits #8010 or 9230 series bodies)
6592	Power module, Pro Scale® Advanced Lighting Control System (includes mount, communication cables, hardware)
6591	Pro Scale® Advanced Lighting Control System (includes power module & distribution block)
8035R	Pro Scale® LED light set, TRX-4® Ford Bronco (1979) or Ford F-150 (1979), complete with power module (contains headlights, tail lights, side marker lights, & distribution block) (fits #8010 or 9230 series bodies)
6594	Receiver communication cable, Pro Scale® Advanced Lighting Control System
8076	Side trim, left & right (chrome)/ retainers/ LED lens/ 2.6x8 BCS (24) (fits #8010 series bodies)
8074	Spare tire mount/ mounting bracket/ spare tire cover/ mounting hardware
8077	Tailgate panel insert (clear, requires painting)/ adhesive foam tape (2) (fits #8010 series bodies)
8071	Tailgate panel/ tail light lens (2) (left & right) (fits #8010 series bodies)

**Body (Mercedes-Benz® G 500®)**

8811	Body, Mercedes-Benz® G 500® (clear, requires painting)/ decals/ window masks (includes rear body post, grille, side mirrors, door handles, windshield wipers)
8812	Decals, Mercedes-Benz® G 500®
6593	Distribution block, Pro Scale® Advanced Lighting Control System
8813X	Grille, Mercedes-Benz® G 500® 4x4 <sup>2</sup> /grille mount & insert/lens, headlight (2 ea)/reflector (2)/bumperette & mounts, front (2 ea)/turn signal housing & lens (2 ea)/ hardware (fits #8811/8825 body)
8893	Installation kit, Pro Scale® Advanced Lighting Control System, TRX-4® Mercedes® G 500® & G 63® (includes mount, rear bumper lens, turn signal, reverse light, & fog light harnesses, hardware)
8899	LED light set (contains headlights, tail lights, roof lights, and distribution block) (fits #8811 body, requires #8028 power supply)
8898	LED light set, complete with power supply (contains headlights, tail lights, roof lights, & distribution block) (fits #8811 body)
8817	Mirrors, side, black (left & right)/ o-rings (4)/ windshield wipers, left, right, & rear/ wiper retainers (2)/ body clips (4)/ 1.6x5 BCS (self-tapping) (3)
6592	Power module, Pro Scale® Advanced Lighting Control System (includes mount, communication cables, hardware)
6591	Pro Scale® Advanced Lighting Control System (includes power module & distribution block)

**Page 3 TRX-4® Sport: TQ™ 2.4 GHz Radio (Model 82024-4) Parts List**

- 8898X Pro Scale® LED light set, TRX-4® Mercedes® G 500® & G 63®, complete with power module (contains headlights, tail lights, roof lights, & distribution block) (fits #8811 or 8825 body)
- 6594 Receiver communication cable, Pro Scale® Advanced Lighting Control System
- 8822 Roof visor/ visor retainer/ visor lens (2)/ 2.6x6 BCS (3)/ 3x4 GS (4)
- 8816X Side marker light housing (2)/ mount (2)/ lens (2)/ 1.6x7 BCS (self-tapping) (2)
- 8814X Tail light lens (2)/ tail light housing (2)/ tail light housing mount (2)/ reverse lens (2)/ 1.6x5 BCS (4) (left & right)

**Body (Tactical Unit)**

- 8211X Body, Tactical Unit, night camo (painted)/ decals
- 8019 Fender brace, inner, front & rear
- 8017 Fender flares, front & rear (2 each) (fits #8011 or #8211 series bodies)
- 8018 Fenders, inner, front & rear (2 each)/ rock light covers (8)
- 8020 Mirrors, side (left & right)/ snorkel/ mounting hardware (fits #8011 series bodies)
- 8021 Spare tire mount/ mounting bracket/ screw pins (2)

**Body (TRX-4® Sport)**

- 8112 Body with camper, TRX-4® Sport (clear, trimmed, requires painting)/window masks/ decal sheet
- 8213 Body, TRX-4® Sport (clear, trimmed, die-cut for clipless mounting, requires painting)/ window masks/ decal sheet
- 8111R Body, TRX-4® Sport (clear, trimmed, die-cut for LED light kit, requires painting)/ window masks/ decal sheet
- 8111 Body, TRX-4® Sport (clear, trimmed, requires painting)/ window masks/ decal sheet
- 8213-BLUE Body, TRX-4® Sport, complete, blue (painted, decals applied) (includes grille, side mirrors, door handles, windshield wipers, expedition rack, & clipless mounting) (requires #8080X inner fenders)
- 8213-GRAY Body, TRX-4® Sport, complete, gray (painted, decals applied) (includes grille, side mirrors, door handles, windshield wipers, expedition rack, & clipless mounting) (requires #8080X inner fenders)
- 8213-RED Body, TRX-4® Sport, complete, red (painted, decals applied) (includes grille, side mirrors, door handles, windshield wipers, expedition rack, & clipless mounting) (requires #8080X inner fenders)
- 8113 Decal Sheet, TRX-4® Sport
- 6593 Distribution block, Pro Scale® Advanced Lighting Control System
- 8120X Expedition rack, complete (includes traction boards, shovel, axe, jack, fire extinguisher, fuel cans, & mounting hardware) (fits #8111 or #8111R body)
- 8120R Expedition rack, complete (includes traction boards, shovel, axe, jack, fire extinguisher, fuel cans, & mounting hardware) (fits #8111, 8111R, or 8213 series bodies)
- 8120 Expedition rack/ mounting hardware (fits #8111 or #8111R body)
- 8120A Expedition rack/ mounting hardware (fits #8111, 8111R, or 8213 series bodies)
- 8422-BLK Fire extinguisher, black (2)
- 8422 Fire extinguisher, red (2)
- 8116 Grille/ grille retainers (2)/ grille mount/ lens (2)/ 2.5x8 BCS (6) (fits #8111 or #8112 body)
- 8083 Installation kit, Pro Scale® Advanced Lighting Control System, TRX-4® Sport (includes mount, rear lens, reverse lights and turn signal harnesses, hardware)
- 8086 LED expedition rack scene light kit (fits #8111 or 8213 series bodies, requires #8028 power supply)
- 8084 LED headlight/tail light kit (fits #8111 or #8112 body, requires #8028 power supply)
- 8088 LED light bar, front bumper (fits #8866 front bumper, requires #8028 power supply)
- 8087 LED light bar, roof lights (fits #8111 or 8213 series bodies, requires #8028 power supply)
- 8085 LED light set, complete with power supply (contains headlights, tail lights, & distribution block) (fits #8111 or #8112 body)
- 8119 Mirrors, side (left & right)/ snorkel/ mounting hardware (fits #8111 or #8112 body)
- 6592 Power module, Pro Scale® Advanced Lighting Control System (includes mount, communication cables, hardware)
- 6591 Pro Scale® Advanced Lighting Control System (includes power module & distribution block)
- 8085X Pro Scale® LED light set, TRX-4® Sport, complete with power module (contains headlights, tail lights, & distribution block) (fits #8111 or #8112 body)
- 6594 Receiver communication cable, Pro Scale® Advanced Lighting Control System
- 8122-BLK Shovel/ axe (black)/ accessory mount/ mounting hardware
- 8122 Shovel/ axe/ accessory mount/ mounting hardware

- 8118 Spare tire mount/ mounting hardware
- 8117 Tailgate panel/ tailgate retainers (2)/ tailgate mount/ tail light lens (2) (left & right)/ 2.5x8 BCS (4) (fits #8111 or #8112 body)
- 8121X Traction boards, blue/ mounting hardware
- 8121G Traction boards, green/ mounting hardware
- 8121A Traction boards, yellow/ mounting hardware
- 8121 Traction boards/ mounting hardware

**Body Accessories**

- 1926 Antenna caps, vinyl (2)/ antenna spool
- 1726 Antenna, tube (1)/ vinyl antenna cap (1)/ wire retainer (1)
- 1834 Body Clips (12) (standard size)
- 1834A Body clips, black (12) (standard size)
- 3934 Body clips, heavy duty (12)
- 3934A Body clips, heavy duty (black) (12)
- 8215 Body mounts & posts, front & rear (complete set)
- 8115 Body posts, front & rear
- 4915 Body washers, foam adhesive (10)
- 2514 Decal sheet, racing sponsors
- 8081 Fender extensions (4)/ 3x8 flathead screws (24) (requires #8080 narrow inner fenders)
- 8080 Fenders, inner (narrow), front & rear (2 each)/ rock light covers (8)/ battery plate/ body mount/ 3x8 flat-head screws (4)/ 2.5x6 CS (10)
- 8080X Fenders, inner (narrow), front & rear (2 each)/ rock light covers (8)/ battery plate/ body mount/ 3x8 flat-head screws (4)/ 2.5x6 CS (10) (for clipless body mounting)
- 8022T Fuel canisters (black) (2)/ screw pin
- 8022R Fuel canisters (blue) (2)/ screw pin
- 8022-GRN Fuel canisters (green) (2)/ screw pin
- 8022 Fuel canisters (red) (2)/ screw pin
- 8022X Fuel canisters (white) (2)/ screw pin
- 8022A Fuel canisters (yellow) (2)/ screw pin
- 9950 Official Team Traxxas® racing decal set(flag logo/ 6-color)

**Bumpers & Skidplates**

- 8234 Bumper D-Rings, grey (front or rear)/ 2.0x12 CS (4)
- 8234R Bumper D-rings, red (front or rear)/ 2.0x12 CS (4)
- 8067X Bumper mounts, front & rear/ bumper mount, rear (offset)
- 8237 Bumper mounts, front & rear/ screw pins (4)
- 8124 Bumper, front (178mm wide)/ winch/ 2.6x8 BCS (1)
- 8235 Bumper, front/ winch/ 2.6x8 BCS (1)
- 8236 Bumper, rear
- 8125 Bumper, rear (176mm wide)
- 8238 Skidplate/ lower gear cover

**Chassis & Attachments**

- 8327 Battery hold-down/ battery clip/ hold-down post/screw pin (for 256mm wheelbase)
- 8215 Body mounts & posts, front & rear (complete set)
- 8224 Box, receiver (sealed)/ wire cover/ foam pads/ silicone grease/ 3x8 BCS (5)/ 2.5x8 CS (2)
- 8058 Chassis conversion kit, TRX-4® (long to short wheelbase) (includes rear upper & lower suspension links, front & rear inner fenders, short female half shaft, battery tray, 3x8mm FCS (4))
- 8057 Chassis conversion kit, TRX-4® (short to long wheelbase) (includes rear upper & lower suspension links, front & rear shock towers, long female half shaft)
- 8220 Chassis rails, 448mm (steel) (left & right)
- 8080 Fenders, inner (narrow), front & rear (2 each)/ rock light covers (8)/ battery plate/ body mount/ 3x8 flat-head screws (4)/ 2.5x6 CS (10)
- 8080X Fenders, inner (narrow), front & rear (2 each)/ rock light covers (8)/ battery plate/ body mount/ 3x8 flat-head screws (4)/ 2.5x6 CS (10) (for clipless body mounting)
- 8218 Floor pans, left & right
- 8224X Receiver box cover (for use only with #8224 receiver box & #2260 BEC)/ foam pads/ seals/ silicone grease
- 8219 Rock sliders, left & right
- 8225 Seal kit, receiver box (includes o-ring, seals, and silicone grease)
- 8240X Servo mount, 2-speed/ servo mount, T-Lock/ wire clips
- 8239 Servo mount, steering/ chassis crossmember
- 8216 Shock towers, front & rear (left & right)
- 8226 Tray, battery

**Differential Components**

- 8281 Carrier, differential/ differential slider/ T-Lock fork
- 8280A Differential cover, front or rear (black)
- 8280X Differential cover, front or rear (chrome plated)
- 8280-GRN Differential cover, front or rear (green)
- 8280 Differential cover, front or rear (grey)
- 8280R Differential cover, front or rear (red)

8195	Differential, locking, front and rear (assembled) (includes T-Lock cables and servos)
8282	Gear set, differential (output gears (2), spider gears (4), spider gear shaft (2))
8295	Output drive, transmission or differential (pin retainer (1)/ drive cup (1)/ drive ball (1)/ drive pin (1)/ 3x10 screw pin (1)/ cross pin (black) (1) 3x6 BCS with threadlock (1))
8279	Ring gear, differential/ pinion gear, differential
8279R	Ring gear, differential/ pinion gear, differential (machined)
8287	Ring gear, differential/ pinion gear, differential (overdrive, machined)
8288	Ring gear, differential/ pinion gear, differential (underdrive, machined)
8297	Spool/ differential housing plug/ e-clip/ 2.5x8mm BCS (with threadlock) (4)

**Driveline Components**

8139	Half shafts, center (external splined) (2)/ pin retainer (4) (plastic parts only)
8250	Half shafts, center (internal splined, front (2) & internal splined, rear (2)/ external splined (2)/ pin retainer (4)) (plastic parts only)
8250X	Half shafts, center (internal splined, short (3) & internal splined, long (2))
8255	Stub axle (portal drive) (2)
8255A	Stub axle, extended thread (portal drive) (2)
8269	Wheel hubs, 12mm hex (2)/ stub axle pins (2) (steel)
8269X	Wheel hubs, 12mm hex, 6061-T6 aluminum (blue-anodized) (4)/ 3x10 screw pin (4)
8269A	Wheel hubs, 12mm hex, 6061-T6 aluminum (charcoal gray-anodized) (4)/ 3x10 screw pin (4)
8269G	Wheel hubs, 12mm hex, 6061-T6 aluminum (green-anodized) (4)/ 3x10 screw pin (4)
8269R	Wheel hubs, 12mm hex, 6061-T6 aluminum (red-anodized) (4)/ 3x10 screw pin (4)

**Hardware**

1552	3x8mm Hex Cap Screws (6)/ Washers (6)/ Wrench (1)
1834	Body Clips (12) (standard size)
1834A	Body clips, black (12) (standard size)
3934	Body clips, heavy duty (12)
3934A	Body clips, heavy duty (black) (12)
4859	CS 3x10 flathead (hex drive)
8167X	Hardware kit, stainless steel, beadlock rings (contains stainless steel hardware for 4 wheels)
8298	Hardware kit, stainless steel, TRX-4® (contains all stainless steel hardware used on TRX-4®)
8151	Hardware kit, stainless steel, TRX-4® High Lift Kit (contains all stainless steel hardware used on TRX-4® High Lift Kit)
8217	Hardware kit, TRX-4® (contains all hardware used on TRX-4®)
5476X	Hex wrenches; 1.5mm, 2mm, 2.5mm, 3mm, 2.5 ball
1747P	Nuts, 4mm flanged nylon locking (aluminum, pink anodized) (4)
3647	Nuts, 4mm flanged nylon locking (steel, serrated) (8)
8347	Nuts, 4mm flanged nylon locking, serrated (black) (10)
1747R	Nuts, aluminum, flanged, serrated (4mm) (blue-anodized) (4)
1747G	Nuts, aluminum, flanged, serrated (4mm) (green-anodized) (4)
1747T	Nuts, aluminum, flanged, serrated (4mm) (orange-anodized) (4)
1747A	Nuts, aluminum, flanged, serrated (4mm) (red-anodized) (4)
1985	PTFE-coated Washers, 5x8x0.5mm (20) (use with ball bearings)
8221	Screw pin, 3x10mm (6)
2523	Screws, 2.5x10 countersunk machine (hex drive) (6)
3229	Screws, 2.5x10mm cap-head machine (hex drive) (6)
3236	Screws, 2.5x12mm cap-head machine (6)
2618	Screws, 2.5x16mm cap-head machine (6)
3215	Screws, 2.5x6mm cap-head machine (hex drive) (6)
2524	Screws, 2.5x8 countersunk machine (hex drive) (6)
2617	Screws, 2.5x8mm button-head machine (hex drive) (6)
3965	Screws, 2.5x8mm cap-head machine (6)
8299	Screws, 2.6x12mm button-head, self-tapping (hex drive) (6)
8167	Screws, 2x10mm cap-head, self-tapping (hex drive) (10)
2564	Screws, 2x8mm cap-head machine (hex drive) (6)
2577	Screws, 3x10mm button-head machine (hex drive) (6)
2578	Screws, 3x12mm button-head machine (hex drive) (6)
2579	Screws, 3x15mm button-head machine (hex drive) (6)
2591	Screws, 3x23mm button-head machine (hex drive) (6)
2581	Screws, 3x25mm button-head machine (hex drive) (6)
2616	Screws, 3x27mm button-head machine (hex drive) (6)
2582	Screws, 3x30mm button-head machine (hex drive) (6)
2575	Screws, 3x6mm button-head machine (hex drive) (6)
3932	Screws, 3x6mm flat-head machine (hex drive) (6)
2576	Screws, 3x8mm button-head machine (hex drive) (6)
3931	Screws, 3x8mm flat-head machine (hex drive) (6)
3933	Screws, 4x16mm button-head machine (hex drive) (6)

**LED Light Accessories**

8031	3-in-1 wire harness, LED light kit
8089	4-in-2 wire harness, LED light kit
6589	Distribution block, LED light set
6593	Distribution block, Pro Scale® Advanced Lighting Control System
6593	Distribution block, Pro Scale® Advanced Lighting Control System
8083	Installation kit, Pro Scale® Advanced Lighting Control System, TRX-4® Sport (includes mount, rear lens, reverse lights and turn signal harnesses, hardware)
8086	LED expedition rack scene light kit (fits #8111 or 8213 series bodies, requires #8028 power supply)
8086	LED expedition rack scene light kit (fits #8111 or 8213 series bodies, requires #8028 power supply)
8084	LED headlight/tail light kit (fits #8111 or #8112 body, requires #8028 power supply)
8084	LED headlight/tail light kit (fits #8111 or #8112 body, requires #8028 power supply)
8088	LED light bar, front bumper (fits #8866 front bumper, requires #8028 power supply)
8088	LED light bar, front bumper (fits #8866 front bumper, requires #8028 power supply)
8087	LED light bar, roof lights (fits #8111 or 8213 series bodies, requires #8028 power supply)
8087	LED light bar, roof lights (fits #8111 or 8213 series bodies, requires #8028 power supply)
8085	LED light set, complete with power supply (contains headlights, tail lights, & distribution block) (fits #8111 or #8112 body)
8085	LED light set, complete with power supply (contains headlights, tail lights, & distribution block) (fits #8111 or #8112 body)
8028	LED lights, power supply (regulated, 3V, 0.5-amp)/ 3-in-1 wire harness
8026X	LED rock light kit, TRX-4®/TRX-6™ (requires #8028 power supply and #8018, #8072, or #8080 inner fenders)
6592	Power module, Pro Scale® Advanced Lighting Control System (includes mount, communication cables, hardware)
6592	Power module, Pro Scale® Advanced Lighting Control System (includes mount, communication cables, hardware)
6591	Pro Scale® Advanced Lighting Control System (includes power module & distribution block)
8085X	Pro Scale® LED light set, TRX-4® Sport, complete with power module (contains headlights, tail lights, & distribution block) (fits #8111 or #8112 body)
6594	Receiver communication cable, Pro Scale® Advanced Lighting Control System

**Long Arm Lift Kit**

8162X	Body, GTS shock, long (aluminum, blue-anodized) (1) (for use #8140X TRX-4® Long Arm Lift Kit)
8162R	Body, GTS shock, long (aluminum, red-anodized) (1) (for use with #8140R TRX-4® Long Arm Lift Kit)
8162	Body, GTS shock, long (silver aluminum) (1) (for use with #8140 TRX-4® Long Arm Lift Kit)
8147	Cable, T-lock (medium) (for use with TRX-4® Long Arm Lift Kit)
8148	Cable, T-lock, extra long (193mm) (for use with TRX-4® Long Arm Lift Kit)
8150	Driveshaft extension kit, center (includes internal splined, x-long (2), internal splined, long (1) and internal splined, medium (1)) (for use with TRX-4® Long Arm Lift Kit)
8140	Long arm lift kit, TRX-4®, complete
8140X	Long arm lift kit, TRX-4®, complete (includes blue powder coated links, blue-anodized shocks)
8140-GRN	Long arm lift kit, TRX-4®, complete (includes green powder coated links, green-anodized shocks)
8140R	Long arm lift kit, TRX-4®, complete (includes red powder coated links, red-anodized shocks)
8149	Rod ends, extended (standard (4), angled (4))/ hollow balls (8) (for use with TRX-4® Long Arm Lift Kit)
8141	Servo mount, steering (for use with TRX-4® Long Arm Lift Kit)
8161	Shock shaft, 3x57mm (GTS) (2) (includes bump stops) (for use with TRX-4® Long Arm Lift Kit)
8160X	Shocks, GTS, aluminum (blue-anodized) (assembled without springs) (4) (for use with #8140X TRX-4® Long Arm Lift Kit)
8160-GRN	Shocks, GTS, aluminum (green-anodized) (assembled without springs) (4) (for use with #8140 TRX-4® Long Arm Lift Kit)
8160R	Shocks, GTS, aluminum (red-anodized) (assembled without springs) (4) (for use with #8140R TRX-4® Long Arm Lift Kit)
8160	Shocks, GTS, silver aluminum (assembled without springs) (4) (for use with #8140 TRX-4® Long Arm Lift Kit)
8153	Springs, shock, long (natural finish) (GTS) (0.29 rate, white stripe) (for use with TRX-4® Long Arm Lift Kit)

**Page 5 TRX-4® Sport: TQ™ 2.4 GHz Radio (Model 82024-4) Parts List**

- 8154 Springs, shock, long (natural finish) (GTS) (0.39 rate, orange stripe) (for use with TRX-4® Long Arm Lift Kit)
- 8155 Springs, shock, long (natural finish) (GTS) (0.47 rate) (included with TRX-4® Long Arm Lift Kit)
- 8156 Springs, shock, long (natural finish) (GTS) (0.54 rate, green stripe) (for use with TRX-4® Long Arm Lift Kit)
- 8157 Springs, shock, long (natural finish) (GTS) (0.62 rate, blue stripe) (for use with TRX-4® Long Arm Lift Kit)
- 8146X Steering link, 5x117mm (1)/ drag link, 5x60mm (1)/ panhard link, 5x63mm (blue powder coated steel) (assembled with hollow balls) (for use with #8140X TRX-4® Long Arm Lift Kit)
- 8146R Steering link, 5x117mm (1)/ drag link, 5x60mm (1)/ panhard link, 5x63mm (red powder coated steel) (assembled with hollow balls) (for use with #8140R TRX-4® Long Arm Lift Kit)
- 8144X Suspension link, front upper, 5x68mm (1) (blue powder coated steel) (assembled with hollow balls) (for use with #8140X TRX-4® Long Arm Lift Kit)
- 8144R Suspension link, front upper, 5x68mm (1) (red powder coated steel) (assembled with hollow balls) (for use with #8140R TRX-4® Long Arm Lift Kit)
- 8144 Suspension link, front upper, 5x68mm (1) (steel) (assembled with hollow balls) (for use with #8140 TRX-4® Long Arm Lift Kit)
- 8143 Suspension links, front lower (2) (5x104mm, steel) (assembled with hollow balls) (for use with #8140 TRX-4® Long Arm Lift Kit)
- 8143X Suspension links, front lower, blue (2) (5x104mm, powder coated steel) (assembled with hollow balls) (for use with #8140X TRX-4® Long Arm Lift Kit)
- 8143R Suspension links, front lower, red (2) (5x104mm, powder coated steel) (assembled with hollow balls) (for use with #8140R TRX-4® Long Arm Lift Kit)
- 8145 Suspension links, rear lower (2) (5x115mm, steel) (assembled with hollow balls) (for use with #8140 TRX-4® Long Arm Lift Kit)
- 8145X Suspension links, rear lower, blue (2) (5x115mm, powder coated steel) (assembled with hollow balls) (for use with #8140X TRX-4® Long Arm Lift Kit)
- 8145R Suspension links, rear lower, red (2) (5x115mm, powder coated steel) (assembled with hollow balls) (for use with #8140R TRX-4® Long Arm Lift Kit)
- 8142 Suspension links, rear upper (2) (5x115mm, steel) (assembled with hollow balls) (for use with #8140 TRX-4® Long Arm Lift Kit)
- 8142R Suspension links, rear upper, red (2) (5x115mm, powder coated steel) (assembled with hollow balls) (for use with #8140R TRX-4® Long Arm Lift Kit)
- 8172 Tires & wheels, assembled (Method Race Wheels® 105 Beadlock 2.2" black chrome beadlock wheels, Canyon Trail 5.3x2.2" tires, foam inserts) (1 left, 1 right)
- 8181-BLUE Tires & wheels, assembled, glued (TRX-4® Sport 2.2" gray, blue beadlock style wheels, Canyon Trail 5.3x2.2" tires) (2)
- 8181-GRN Tires & wheels, assembled, glued (TRX-4® Sport 2.2" gray, green beadlock style wheels, Canyon Trail 5.3x2.2" tires) (2)
- 8181-RED Tires & wheels, assembled, glued (TRX-4® Sport 2.2" gray, red beadlock style wheels, Canyon Trail 5.3x2.2" tires) (2)
- 8181 Tires & wheels, assembled, glued (TRX-4® Sport 2.2" wheels, Canyon Trail 5.3x2.2" tires) (2)
- 8170 Tires, Canyon Trail 5.3x2.2" foam inserts (2)
- 8171 Wheels, 2.2", Method Race Wheels® 105 Beadlock (black chrome, beadlock) (beadlock rings sold separately)
- 8171A Wheels, 2.2", Method Race Wheels® 105 Beadlock (charcoal gray, beadlock) (beadlock rings sold separately)
- 8180 Wheels, TRX-4® Sport 2.2 (2)
- 8180-BLUE Wheels, TRX-4® Sport 2.2 (gray, blue beadlock style) (2)
- 8180-GRN Wheels, TRX-4® Sport 2.2 (gray, green beadlock style) (2)
- 8180-RED Wheels, TRX-4® Sport 2.2 (gray, red beadlock style) (2)

- 2251 Servo case, plastic (top, middle, bottom)/ gaskets/ hardware (for 2250, 2255 servos)
- 2271 Servo case/ gaskets (for 2270 waterproof servo)
- 2063A Servo case/gaskets (for 2065A waterproof sub-micro servo)
- 2063R Servo case/gaskets (for 2065R metal gear, waterproof, sub-micro servo)
- 2063X Servo case/gaskets (for 2065X metal gear, waterproof, sub-micro servo)
- 5669 Servo horn (with built-in spring and hardware) (for Summit locking differential)
- 2075R Servo, digital high-speed, metal gear (ball bearing), waterproof
- 2250 Servo, digital high-torque 330 coreless, metal gear (ball bearing), waterproof (#2262 external BEC and #8247X metal servo horn recommended for optimal performance)
- 2255 Servo, digital high-torque 400 brushless, metal gear (ball bearing), waterproof (#2262 external BEC and #8247X metal servo horn recommended for optimal performance)
- 2270 Servo, digital high-torque, metal gear (ball bearing), waterproof
- 2075X Servo, digital high-torque, metal gear (ball bearing), waterproof
- 2065A Servo, sub-micro, waterproof
- 2065R Servo, sub-micro, waterproof, metal gear
- 3025 XL-5HV 3s Electronic Speed Control, waterproof (low-voltage detection, fwd/rev/brake)
- 2261 Y-harness, BEC

**Pro Scale® Winch & Accessories**

- 8866 Bumper, front, winch, TRX-4® Sport (includes bumper mount, D-Rings, fairlead, hardware) (fits TRX-4® Sport with 8855 winch) (191mm wide)
- 8859 Fairlead, winch
- 8870X Fairlead, winch, aluminum (blue-anodized) (use with front bumpers #8865, 8866, 8867, 8869, or 9224)
- 8870A Fairlead, winch, aluminum (gray-anodized) (use with front bumpers #8865, 8866, 8867, 8869, or 9224)
- 8870G Fairlead, winch, aluminum (green-anodized) (use with front bumpers #8865, 8866, 8867, 8869, or 9224)
- 8870T Fairlead, winch, aluminum (orange-anodized) (use with front bumpers #8865, 8866, 8867, 8869, or 9224)
- 8870R Fairlead, winch, aluminum (red-anodized) (use with front bumpers #8865, 8866, 8867, 8869, or 9224)
- 8862 Gearmotor, winch
- 8863 Hook, winch (steel)/ line retainer/ washer
- 8858 Housings (front & rear), winch/ decal
- 8864X Line, winch (blue)
- 8864 Line, winch (gray)
- 8864R Line, winch (red)
- 8860 Spool shaft assembly, winch
- 8861 Spool, winch
- 8855 Winch kit with wireless controller, TRX-4® and TRX-6®
- 8856 Winch, TRX-4® and TRX-6® (requires #8857 wireless remote)
- 8857 Wireless remote, winch, TRX-4® and TRX-6®

**Radio System, Batteries & Chargers**

- 2823X 1400mah 11.1v 3-Cell 25C LiPo Battery
- 2820X 2200mah 7.4v 2-Cell 25C LiPo Battery
- 2827X 3000mah 7.4v 2-Cell LiPo Battery
- 2849X 4000mah 11.1v 3-Cell 25C LiPo Battery
- 2872X 5000mah 11.1v 3-Cell 25C LiPo Battery
- 2842X 5000mah 7.4v 2-Cell 25C LiPo Battery
- 2843X 5800mah 7.4v 2-Cell 25C LiPo Battery
- 2869X 7600mah 7.4v 2-Cell 25C LiPo Battery
- 2914 AA 4PK
- 2976 AC to DC adapter
- 2938X Adapter, Traxxas® iD® LiPo battery (adapts Traxxas® iD® batteries to separate balance ports)
- 1726 Antenna, tube (1)/ vinyl antenna cap (1)/ wire retainer (1)
- 2943 Battery charge indicators, green (4), grey (4), blue (4)
- 6548 Battery door, TQ 2.4 transmitter (replacement for #6516, 6517 transmitter)
- 8222 Battery strap (for use with 2200mAh 2-cell and 1400mAh 3-cell LiPo batteries)
- 2923X Battery, Power Cell, 3000mAh (NiMH, 7-C flat, 8.4V)
- 2940X Battery, Series 3 Power Cell, 3300mAh (NiMH, 7-C flat, 8.4V)
- 2950X Battery, Series 4 Power Cell, 4200mAh (NiMH, 7-C flat, 8.4V)
- 2960X Battery, Series 5 Power Cell, 5000mAh (NiMH, 7-C flat, 8.4V)
- 2983 Battery/charger completer pack (includes #2969 2-amp NiMH peak detecting AC charger (1), #2923X 3000mAh 8.4V 7-cell NiMH iD® battery (1))
- 2992 Battery/charger completer pack (includes #2970 iD® charger (1), #2843X 5800mAh 7.4V 2-cell 25C LiPo iD® battery (1))
- 2994 Battery/charger completer pack (includes #2970 iD® charger (1), #2849X 4000mAh 11.1v 3-Cell 25C LiPo iD® battery (1))

**Motors & Electronics**

- 1926 Antenna caps, vinyl (2)/ antenna spool
- 1726 Antenna, tube (1)/ vinyl antenna cap (1)/ wire retainer (1)
- 2262 BEC, complete (12.6 volts (3s LiPo) maximum input voltage) (includes receiver box cover and seals)
- 2064A Gear set (for 2065A waterproof sub-micro servo)
- 2064R Gear set, metal (for 2065R waterproof sub-micro servo)
- 2072X Gear set, metal (for 2070, 2075 servos)
- 2252 Gear set, metal (for 2250, 2255 servos)
- 2272 Gear set, metal (for 2270 waterproof servo)
- 2072R Gear set, metal, high-speed (for 2070, 2075 servos)
- 8290X Motor mount plate, 6061-T6 aluminum (blue-anodized)
- 8290A Motor mount plate, 6061-T6 aluminum (charcoal gray-anodized)
- 8290G Motor mount plate, 6061-T6 aluminum (green-anodized)
- 8290R Motor mount plate, 6061-T6 aluminum (red-anodized)
- 3975R Motor, Titan 550, reverse rotation (21-turns/ 14 volts) (1)
- 8290 Plate, motor/ upper spur gear cover
- 2254 Servo case, aluminum (middle) (blue-anodized) (for 2250 servo)
- 2253 Servo case, aluminum (middle) (red-anodized) (for 2255 servo)

- 2991 Battery/charger completer pack (includes #2972 Dual iD charger (1), #2869X 7600mAh 7.4V 2-cell 25C LiPo iD® Battery (2))
- 2985-2S Battery/charger completer pack (includes #2985 charger (1), #2827X 3000mAh 7.4V 2-cell 20C LiPo iD® Battery (1))
- 2262 BEC, complete (12.6 volts (3s LiPo) maximum input voltage) (includes receiver box cover and seals)
- 2975 Charger, D/C, 4 amp (6 - 7 cell, 7.2 - 8.4 volt, NiMH)
- 2972 Charger, EZ-Peak Dual, 100W, NiMH/LiPo with iD Auto Battery Identification
- 2973 Charger, EZ-Peak Live Dual, 200W, NiMH/LiPo with iD Auto Battery Identification
- 2970 Charger, EZ-Peak Plus, 4 amp, NiMH/LiPo with iD Auto Battery Identification
- 2981 Charger, EZ-Peak® Plus 4s, 8 amp, NiMH/LiPo with iD® Auto Battery Identification
- 2985 Charger, EZ-Peak®, USB-C, 40W, NiMH/LiPo with iD® Auto Battery Identification
- 6525 Communication link, telemetry expander
- 6512 Cover plate, Traxxas® Link Bluetooth® module
- 6565 Data link, telemetry expander (connects #6550X telemetry expander 2.0 to the #6590 high-voltage power amplifier)
- 2971 EZ-Peak Live 12-amp NiMH/LiPo Fast Charger with iD® Auto Battery Identification and Bluetooth®
- 2978 Fuse, D/C charger, 5A (2) (for #2974, 2975, 2977)
- 2064A Gear set (for 2065A waterproof sub-micro servo)
- 2064R Gear set, metal (for 2065R waterproof sub-micro servo)
- 2072X Gear set, metal (for 2070, 2075 servos)
- 2252 Gear set, metal (for 2250, 2255 servos)
- 2272 Gear set, metal (for 2270 waterproof servo)
- 2072R Gear set, metal, high-speed (for 2070, 2075 servos)
- 2968X LiPo cell voltage checker/balancer (includes #2938X adapter for Traxxas® iD® batteries)
- 2968 LiPo cell voltage checker/balancer (requires #2938X adapter for Traxxas® iD® batteries)
- 6561 Mount, telemetry expander
- 6535 Mount, temperature sensor (electric motors)/ wire tie/ thermal pad
- 6519 Receiver, micro, TQ 2.4GHz (3-channel)
- 6533 Receiver, micro, TQi 2.4GHz with telemetry & TSM® (5-channel)
- 6552 Seal kit, expander box (includes o-ring, seals, and silicone grease)
- 6526 Sensor, auto-detectable, temperature
- 6527 Sensor, auto-detectable, voltage
- 6521 Sensor, temperature and voltage (long)
- 2254 Servo case, aluminum (middle) (blue-anodized) (for 2250 servo)
- 2253 Servo case, aluminum (middle) (red-anodized) (for 2255 servo)
- 2251 Servo case, plastic (top, middle, bottom)/ gaskets/ hardware (for 2250, 2255 servos)
- 2271 Servo case/ gaskets (for 2270 waterproof servo)
- 2063A Servo case/gaskets (for 2065A waterproof sub-micro servo)
- 2063R Servo case/gaskets (for 2065R metal gear, waterproof, sub-micro servo)
- 2063X Servo case/gaskets (for 2065X metal gear, waterproof, sub-micro servo)
- 2075R Servo, digital high-speed, metal gear (ball bearing), waterproof
- 2250 Servo, digital high-torque 330 coreless, metal gear (ball bearing), waterproof (#2262 external BEC and #8247X metal servo horn recommended for optimal performance)
- 2255 Servo, digital high-torque 400 brushless, metal gear (ball bearing), waterproof (#2262 external BEC and #8247X metal servo horn recommended for optimal performance)
- 2075X Servo, digital high-torque, metal gear (ball bearing), waterproof
- 2270 Servo, digital high-torque, metal gear (ball bearing), waterproof
- 2065A Servo, sub-micro, waterproof
- 2065R Servo, sub-micro, waterproof, metal gear
- 6553X Telemetry Expander 2.0 and GPS module 2.0, TQi radio system
- 6550X Telemetry expander 2.0, TQi radio system (for use only with #6551X GPS module)
- 6551X Telemetry GPS module 2.0, TQi radio system (for use only with #6550X telemetry expander)
- 6509R TQi 2.4 GHz High Output radio system, 2-channel, Traxxas® Link enabled, TSM® (2-ch transmitter, 5-ch micro receiver)
- 6507R TQi 2.4 GHz High Output radio system, 4-channel with Traxxas® Link Bluetooth® module, TSM® (4-ch transmitter, 5-ch micro receiver)
- 6516 Transmitter, TQ 2.4GHz, 2-channel (transmitter only)
- 6530 Transmitter, TQi Traxxas® Link enabled, 2.4GHz high output, 4-channel (transmitter only)
- 6511 Traxxas® Link Bluetooth® module
- 2261 Y-harness, BEC

**Ready-To-Race Model**

82024-4 TRX-4® Sport: 4WD Electric Truck with TQ™ 2.4GHz Radio System

**Scale Details**

- 8120X Expedition rack, complete (includes traction boards, shovel, axe, jack, fire extinguisher, fuel cans, & mounting hardware) (fits #8111 or #8111R body)
- 8120R Expedition rack, complete (includes traction boards, shovel, axe, jack, fire extinguisher, fuel cans, & mounting hardware) (fits #8111, 8111R, or 8213 series bodies)
- 8120 Expedition rack/ mounting hardware (fits #8111 or #8111R body)
- 8120A Expedition rack/ mounting hardware (fits #8111, 8111R, or 8213 series bodies)
- 8422-BLK Fire extinguisher, black (2)
- 8422 Fire extinguisher, red (2)
- 8022T Fuel canisters (black) (2)/ screw pin
- 8022R Fuel canisters (blue) (2)/ screw pin
- 8022-GRN Fuel canisters (green) (2)/ screw pin
- 8022 Fuel canisters (red) (2)/ screw pin
- 8022X Fuel canisters (white) (2)/ screw pin
- 8022A Fuel canisters (yellow) (2)/ screw pin
- 8023 Jack (1)/ 2x8 BCS (1)
- 8023T Jack (black) (1)/ 2x8 BCS (1)
- 8122-BLK Shovel/ axe (black)/ accessory mount/ mounting hardware
- 8122 Shovel/ axe/ accessory mount/ mounting hardware
- 8121X Traction boards, blue/ mounting hardware
- 8121G Traction boards, green/ mounting hardware
- 8121A Traction boards, yellow/ mounting hardware
- 8121 Traction boards/ mounting hardware

**Shock Oil**

- 5031 Oil, shock (20 wt, 200 cSt, 60cc) (silicone)
- 5032 Oil, shock (30 wt, 350 cSt, 60cc) (silicone)
- 5033 Oil, shock (40 wt, 500 cSt, 60cc) (silicone)
- 5034 Oil, shock (50 wt, 600 cSt, 60cc) (silicone)
- 5035 Oil, shock (60 wt, 700 cSt, 60cc) (silicone)
- 5036 Oil, shock (70 wt, 900 cSt, 60cc) (silicone)
- 5037 Oil, shock (80 wt, 1,000 cSt, 60cc) (silicone)
- 5029 Shock oil bottle (60cc) (for mixing shock oil)
- 5038X Shock oil set (includes 20 wt, 30 wt, 40 wt, 50 wt, 60 wt, 70 wt, & 80 wt premium shock oils with spinning carousel rack)
- 5038 Spinning carousel rack

**Shocks (GTS)**

- 8266A Body, GTS shock (aluminum, blue-anodized) (1)
- 8266G Body, GTS shock (aluminum, green-anodized) (1)
- 8266R Body, GTS shock (aluminum, red-anodized) (1)
- 8266 Body, GTS shock (aluminum, silver-anodized) (1)
- 8266X Body, GTS shock (hard-anodized, PTFE-coated aluminum) (1)
- 8264 Caps & spring retainers, GTS shocks (upper cap (2)/ hollow balls (4)/ bottom cap (2)/ upper retainer (2)/ lower retainer (2))
- 8274 Hollow ball set, complete, TRX-4® (aluminum, PTFE-coated)
- 5475 Multi-tool (plastic)
- 8261 Piston, damper (red) (4)/ e-clips (8)
- 8262 Rebuild kit, TRX-4® shocks (x-rings, o-rings, pistons, bushings, e clips, rod ends, and travel limiters)
- 8263 Shock shaft, 3x47mm (GTS) (2)
- 8263T Shock shaft, 3x47mm (GTS) (titanium nitride-coated) (2)
- 8260X Shocks, GTS hard-anodized, PTFE-coated aluminum bodies with TiN shafts (assembled with spring retainers) (2)
- 8260A Shocks, GTS, blue-anodized (assembled with spring retainers) (2)
- 8260G Shocks, GTS, green-anodized (assembled with spring retainers) (2)
- 8260R Shocks, GTS, red-anodized (assembled with spring retainers) (2)
- 8260 Shocks, GTS, silver aluminum (assembled with spring retainers) (2)

**Slipper Clutch Components**

- 8292 Input shaft/ output shaft (transmission)
- 8286 Output shafts (transfer case), front & rear
- 8254 Rebuild kit, slipper clutch (steel disc (2)/ friction insert (2)/ 4.0mm NL (1)/ spring washers (2))
- 8249 Slipper eliminator plate

**Springs**

- 8041 Springs, shock (GTS) (front) (0.45 rate) (2)
- 8040 Springs, shock (GTS) (rear) (0.54 rate) (2)
- 8042 Springs, shock (natural finish) (GTS) (0.22 rate, yellow stripe) (2)
- 8043 Springs, shock (natural finish) (GTS) (0.30 rate, white stripe) (2)
- 8044 Springs, shock (natural finish) (GTS) (0.39 rate, orange stripe) (2)
- 8045 Springs, shock (natural finish) (GTS) (0.61 rate, blue stripe) (2)

**Spur Gears & Pinion Gears**

- 6746 Gear, 10-T pinion (32-p) (steel) (fits 3mm shaft)/ set screw
- 6747 Gear, 11-T pinion (32-p) (steel) (fits 3mm shaft)/ set screw

3942X	Gear, 12-T pinion (32-p), heavy duty (machined, hardened steel) (fits 3mm shaft)/ set screw
3943X	Gear, 13-T pinion (32-p), heavy duty (machined, hardened steel) (fits 3mm shaft)/ set screw
3944X	Gear, 14-T pinion (32-p), heavy duty (machined, hardened steel) (fits 3mm shaft)/ set screw
3945X	Gear, 15-T pinion (32-p), heavy duty (machined, hardened steel) (fits 3mm shaft)/ set screw
3946X	Gear, 16-T pinion (32-p), heavy duty (machined, hardened steel) (fits 3mm shaft)/ set screw
3947X	Gear, 17-T pinion (32-p), heavy duty (machined, hardened steel) (fits 3mm shaft)/ set screw
3948X	Gear, 18-T pinion (32-p), heavy duty (machined, hardened steel) (fits 3mm shaft)/ set screw
3949X	Gear, 19-T pinion (32-p), heavy duty (machined, hardened steel) (fits 3mm shaft)/ set screw
3950X	Gear, 20-T pinion (32-p), heavy duty (machined, hardened steel) (fits 3mm shaft)/ set screw
3951X	Gear, 21-T pinion (32-p), heavy duty (machined, hardened steel) (fits 3mm shaft)/ set screw
3952X	Gear, 22-T pinion (32-p), heavy duty (machined, hardened steel) (fits 3mm shaft)/ set screw
6745	Gear, 9-T pinion (32-p) (steel) (fits 3mm shaft)/ set screw
8052	Spur gear, 39-tooth (32-pitch)
8053	Spur gear, 45-tooth (32-pitch)

### Steering Components

8232	Caster blocks (portal drive), left & right
8232X	Caster blocks, 6061-T6 aluminum (blue-anodized), left and right
8232A	Caster blocks, 6061-T6 aluminum (charcoal gray-anodized), left and right
8232G	Caster blocks, 6061-T6 aluminum (green-anodized), left and right
8232R	Caster blocks, 6061-T6 aluminum (red-anodized), left and right
2072X	Gear set, metal (for 2070, 2075 servos)
2072R	Gear set, metal, high-speed (for 2070, 2075 servos)
8274	Hollow ball set, complete, TRX-4® (aluminum, PTFE-coated)
5355	Hollow ball, tall centered (2)/ tall offset hollow ball (2)/ bump steer adjustment shims; 3.5mm (2), 1.17mm (2)
8275	Rod end set, complete (standard (10), angled 10-degrees (8), offset (4))
8276	Rod ends (10)
8277	Rod ends, angled 10-degrees (8)
2742	Rod ends, long (6)/ hollow ball connectors (6)
8278	Rod ends, offset (4)
8247X	Servo horn, steering, metal/ 3x14 BCS (1)
2075R	Servo, digital high-speed, metal gear (ball bearing), waterproof
2250	Servo, digital high-torque 330 coreless, metal gear (ball bearing), waterproof
2255	Servo, digital high-torque 400 brushless, metal gear (ball bearing), waterproof
2075X	Servo, digital high-torque, metal gear (ball bearing), waterproof
5529	Shim set, 3x7x1mm (2), 3x6x0.5mm (4), 3x7x2mm (2)/ hollow balls, captured (4)
8246	Steering link, 5x60mm (1)/ draglink, 5x117mm (1) (steel)
8243	Suspension link, front, 5x100mm (lower) (steel) (2)
8244	Suspension link, front, 5x63mm (upper) (steel) (2)
8245	Suspension link, rear, 5x121mm (upper or lower) (steel) (2)

### Suspension Linkage

8058	Chassis conversion kit, TRX-4® (long to short wheelbase) (includes rear upper & lower suspension links, front & rear inner fenders, short female half shaft, battery tray, 3x8mm FCS (4))
8057	Chassis conversion kit, TRX-4® (short to long wheelbase) (includes rear upper & lower suspension links, front & rear shock towers, long female half shaft)
8274	Hollow ball set, complete, TRX-4® (aluminum, PTFE-coated)
5355	Hollow ball, tall centered (2)/ tall offset hollow ball (2)/ bump steer adjustment shims; 3.5mm (2), 1.17mm (2)
8275	Rod end set, complete (standard (10), angled 10-degrees (8), offset (4))
8276	Rod ends (10)
8277	Rod ends, angled 10-degrees (8)
2742	Rod ends, long (6)/ hollow ball connectors (6)
8278	Rod ends, offset (4)
5529	Shim set, 3x7x1mm (2), 3x6x0.5mm (4), 3x7x2mm (2)/ hollow balls, captured (4)
8243	Suspension link, front, 5x100mm (lower) (steel) (2)
8244	Suspension link, front, 5x63mm (upper) (steel) (2)
8248	Suspension link, rear, 5x109mm (upper or lower) (steel) (2)
8245	Suspension link, rear, 5x121mm (upper or lower) (steel) (2)

### Team Traxxas Items

9916	Backpack, RC car carrier, 12" x 12" x 24" (fits TRX-4 & similar)
2514	Decal sheet, racing sponsors

9917	Duffel bag, medium, 30" x 12" x 12" (fits 1/10 Slash®, TRX-4®, & similar)
9950	Official Team Traxxas® racing decal set(flag logo/ 6-color)
9909	Traxxas® racing banner, red & black (3x7 feet)

### Tires & Wheels

8169T	Beadlock rings, black (1.9") (aluminum) (4)/ 2x10 CS (48)
8168T	Beadlock rings, black (2.2") (aluminum) (4)/ 2x10 CS (48)
8169X	Beadlock rings, blue (1.9") (aluminum) (4)/ 2x10 CS (48)
8168X	Beadlock rings, blue (2.2") (aluminum) (4)/ 2x10 CS (48)
8168G	Beadlock rings, green (2.2") (aluminum) (4)/ 2x10 CS (48)
8169R	Beadlock rings, red (1.9") (aluminum) (4)/ 2x10 CS (48)
8168R	Beadlock rings, red (2.2") (aluminum) (4)/ 2x10 CS (48)
8169	Beadlock rings, satin (1.9") (aluminum) (4)/ 2x10 CS (48)
8168	Beadlock rings, satin (2.2") (aluminum) (4)/ 2x10 CS (48)
8176	Center caps, wheel (chrome) (4)/ decal sheet (requires #8255A extended thread stub axle)
1747P	Nuts, 4mm flanged nylon locking (aluminum, pink anodized) (4)
1747R	Nuts, aluminum, flanged, serrated (4mm) (blue-anodized) (4)
1747G	Nuts, aluminum, flanged, serrated (4mm) (green-anodized) (4)
1747T	Nuts, aluminum, flanged, serrated (4mm) (orange-anodized) (4)
1747A	Nuts, aluminum, flanged, serrated (4mm) (red-anodized) (4)
8174	Tires & wheels, assembled (Method Race Wheels® 105 Beadlock 1.9" black chrome beadlock wheels, Canyon Trail 4.6x1.9" tires, foam inserts) (1 left, 1 right)
8182	Tires & wheels, assembled (Method Race Wheels® 105 Beadlock 1.9" satin black chrome, blue beadlock style wheels, Canyon Trail 4.6x1.9" tires, foam inserts) (1 left, 1 right)
8166	Tires & wheels, assembled, glued (1.9" chrome wheels, Canyon Trail 4.6x1.9" tires) (2)/ center caps (2)/ decal sheet (requires #8255A extended thread stub axle)
8177	Tires & wheels, assembled, glued (1.9" chrome wheels, Canyon Trail 4.6x1.9" tires) (2)/ center caps (2)/ decal sheet (requires #8255A extended thread stub axle)
8166X	Tires & wheels, assembled, glued (1.9" chrome wheels, Canyon Trail 4.6x1.9" tires) (4)/ center caps (4)/ decal sheet (requires #8255A extended thread stub axle)
8183X	Tires & wheels, assembled, glued (1.9" classic chrome wheels, Canyon Trail 4.6x1.9" tires) (4)/ center caps (4)/ decal sheet (requires #8255A extended thread stub axle)
8273	Tires & wheels, assembled, glued (Tactical 1.9" wheels, Canyon Trail 4.6x1.9" tires) (2)
8272X	Tires & wheels, assembled, glued (TRX-4® 1.9" satin beadlock wheels, Canyon Trail 4.6x1.9" tires) (2)
8272	Tires & wheels, assembled, glued (TRX-4® 1.9" wheels, Canyon Trail 4.6x1.9" tires) (2)
8179	Tires & wheels, assembled, glued (TRX-4® Sport 1.9" wheels, Canyon Trail 4.6x1.9" tires) (2)
8181-BLUE	Tires & wheels, assembled, glued (TRX-4® Sport 2.2" gray, blue beadlock style wheels, Canyon Trail 5.3x2.2" tires) (2)
8181-GRN	Tires & wheels, assembled, glued (TRX-4® Sport 2.2" gray, green beadlock style wheels, Canyon Trail 5.3x2.2" tires) (2)
8181-RED	Tires & wheels, assembled, glued (TRX-4® Sport 2.2" gray, red beadlock style wheels, Canyon Trail 5.3x2.2" tires) (2)
8179X	Tires & wheels, assembled, glued (TRX-4® Sport, satin chrome, black beadlock 1.9" wheels, Canyon Trail 4.6x1.9" tires) (2)
8172	Tires and wheels, assembled (Method 105 2.2™ black chrome beadlock wheels, Canyon Trail 5.3x2.2™ tires, foam inserts) (1 left, 1 right) (for use with TRX-4 Long Arm Lift Kit)
8181	Tires and wheels, assembled, glued (TRX-4® Sport 2.2™ wheels, Canyon Trail 5.3x2.2™ tires) (2) (for use with TRX-4 Long Arm Lift Kit)
8270	Tires, Canyon Trail 4.6x1.9" (S1 compound)/ foam inserts (2)
8170	Tires, Canyon Trail 5.3x2.2™/ foam inserts (2) (for use with TRX-4 Long-Arm Lift Kit)
8269	Wheel hubs, 12mm hex (2)/ stub axle pins (2) (steel)
8269X	Wheel hubs, 12mm hex, 6061-T6 aluminum (blue-anodized) (4)/ 3x10 screw pin (4)
8269A	Wheel hubs, 12mm hex, 6061-T6 aluminum (charcoal gray-anodized) (4)/ 3x10 screw pin (4)
8269G	Wheel hubs, 12mm hex, 6061-T6 aluminum (green-anodized) (4)/ 3x10 screw pin (4)
8269R	Wheel hubs, 12mm hex, 6061-T6 aluminum (red-anodized) (4)/ 3x10 screw pin (4)
8175	Wheels, 1.9", chrome (2)/ center caps (2)/ decal sheet (requires #8255A extended thread stub axle)
8173	Wheels, 1.9", Method Race Wheels® 105 Beadlock (black chrome, beadlock) (beadlock rings sold separately)
8173A	Wheels, 1.9", Method Race Wheels® 105 Beadlock (charcoal gray, beadlock) (beadlock rings sold separately)
8171	Wheels, Method 105 2.2" (black chrome, beadlock) (beadlock rings sold separately) (for use with TRX-4 Long Arm Lift Kit)
8171A	Wheels, Method 105 2.2" (charcoal gray, beadlock) (beadlock rings sold separately) (for use with TRX-4 Long Arm Lift Kit)

**Page 8 TRX-4® Sport: TQ™ 2.4 GHz Radio (Model 82024-4) Parts List**

- 8180 Wheels, TRX-4 Sport 2.2 (2) (for use with TRX-4 Long Arm Lift Kit)
- 8271 Wheels, TRX-4® 1.9 (2)
- 8271X Wheels, TRX-4® 1.9 (satin beadlock) (2)
- 8178 Wheels, TRX-4® Sport 1.9 (2)
- 8180-BLUE Wheels, TRX-4® Sport 2.2 (gray, blue beadlock style) (2)
- 8180-GRN Wheels, TRX-4® Sport 2.2 (gray, green beadlock style) (2)
- 8180-RED Wheels, TRX-4® Sport 2.2 (gray, red beadlock style) (2)
- 8268 Wheels, TRX-4® Tactical 1.9 (2)

- 8887 Stub axle (1)
- 8886 Stub axle nut (4)
- 8891 Tension wheels (6)/ road wheels (4)
- 8881 Traxx®, front, left (assembled) (requires #8887 stub axle, #7061 GTR shock, & #8895 rubber track)
- 8882 Traxx®, front, right (assembled) (requires #8887 stub axle, #7061 GTR shock, & #8895 rubber track)
- 8883 Traxx®, rear, left (assembled) (requires #8887 stub axle, #7061 GTR shock, & #8896 rubber track)
- 8884 Traxx®, rear, right (assembled) (requires #8887 stub axle, #7061 GTR shock, & #8896 rubber track)
- 8880 Traxx®, TRX-4® (4) (complete set, front & rear)
- 8895 Treads, All-Terrain, TRX-4® Traxx® (front, left or right) (rubber) (1)
- 8896 Treads, All-Terrain, TRX-4® Traxx® (rear, left or right) (rubber) (1)

**Transmission Components**

- 8283 Cable, T-lock (front)
- 8284 Cable, T-lock (rear)
- 8289 Drive hub, 2-speed/ shift dog/ shift fork/ 2-speed linkage
- 8293X Gear set, transmission, metal (includes 18T, 30T input gears, 36T output gear, 2x9.8 pins (5))
- 8291 Gearbox housing (includes main housing, front housing, & cover)
- 8285 Gears, transfer case (3)
- 5041 Grease, premium high performance (20cc)
- 8292 Input shaft/ output shaft (transmission)
- 8290X Motor mount plate, 6061-T6 aluminum (blue-anodized)
- 8290A Motor mount plate, 6061-T6 aluminum (charcoal gray-anodized)
- 8290G Motor mount plate, 6061-T6 aluminum (green-anodized)
- 8290R Motor mount plate, 6061-T6 aluminum (red-anodized)
- 8295 Output drive, transmission or differential (pin retainer (1)/ drive cup (1)/ drive ball (1)/ drive pin (1)/ 3x10 screw pin (1)/ cross pin (black) (1) 3x6 BCS with threadlock (1))
- 8294 Output gear, high range, 24T (metal)
- 8286 Output shafts (transfer case), front & rear
- 8290 Plate, motor/ upper spur gear cover
- 8249 Slipper eliminator plate
- 8296 Transmission gears, single speed, metal
- 8196 Two speed conversion kit

If you have questions or need technical assistance, call Traxxas at:

**1-888-TRAXXAS**

(1-888-872-9927) (U.S. residents only)

For orders, calls outside the U.S., and other information, call 972-549-3000, or fax to 972-549-3011 e-mail Traxxas at support@Traxxas.com

**TRAXXAS.COM**

**Traxxas Tools**

- 3433X Body reamer (aluminum handle)
- 3433 Body reamer (plastic handle)
- 3436 Cap, body reamer
- 3432 Scissors, curved tip
- 3431 Scissors, straight tip
- 8712 Speed Bit Essentials Set, hex and nut driver, 7-piece, includes premium handle (medium), travel pouch, hex drivers (straight: 1.5mm, 2.0mm, 2.5mm) and nut drivers (5.0mm, 5.5mm, 7.0mm, and 8.0mm), 1/4" drive
- 8720 Speed bit handle, large (overmolded)
- 8721 Speed bit handle, medium (one piece)
- 8722 Speed bit handle, premium (rubber overmold)
- 8710 Speed Bit Master Set, hex and nut driver, 13-piece, includes premium handle (medium), travel pouch, hex drivers (straight: 1.5mm, 2.0mm, 2.5mm, 3.0mm), (ball-end: 2.0mm, 2.5mm, 3.0mm), and nut drivers (4.0mm, 4.5mm, 5.0mm, 5.5mm, 7.0mm, 8.0mm), 1/4" drive
- 8711 Speed Bit Master Set, hex driver, 7-piece straight and ball end, includes premium handle (medium), travel pouch, hex drivers (straight: 1.5mm, 2.0mm, 2.5mm, 3.0mm) (ball end: 2.0mm, 2.5mm, 3.0mm), 1/4" drive
- 8719 Speed Bit Master Set, nut driver, 6-piece, includes premium handle (medium), travel pouch, and nut drivers (4.0mm, 4.5mm, 5.0mm, 5.5mm, 7.0mm, 8.0mm), 1/4" drive
- 8716 Speed Bit Set, hex driver, 2-piece ball-end (2.0mm, 2.5mm), 1/4" drive
- 8716X Speed Bit Set, hex driver, 3-piece ball-end (2.0mm, 2.5mm, 3.0mm) 1/4" drive
- 8715 Speed Bit Set, hex driver, 3-piece straight (1.5mm, 2.0mm, 2.5mm), 1/4" drive
- 8715X Speed Bit Set, hex driver, 4-piece straight (1.5mm, 2.0mm, 2.5mm, 3.0mm), 1/4" drive
- 8714 Speed Bit Set, screwdriver, 3-piece straight (3mm slotted, #1 Phillips, and #2 Phillips bits), 1/4" drive
- 2748R Tool set (includes 1.5mm hex wrench / 2.0mm hex wrench / 2.5mm hex wrench/ 4-way wrench/ 8mm & 4mm wrench/ U-joint wrench)
- 3415 Tool set with pouch (includes 1.5mm, 2.0mm, 2.5mm, 3.0mm, 3.5mm, 4mm drivers/4mm, 5mm, 5.5mm, 7mm, and 8mm nut drivers/ 2mm, 3mm, and 4mm slotted screwdrivers/ #00 Phillips, #0 Phillips, and #1 Phillips screwdrivers/ 4mm and 8mm wrenches/ driver handle)

**TRX-4® Traxx®**

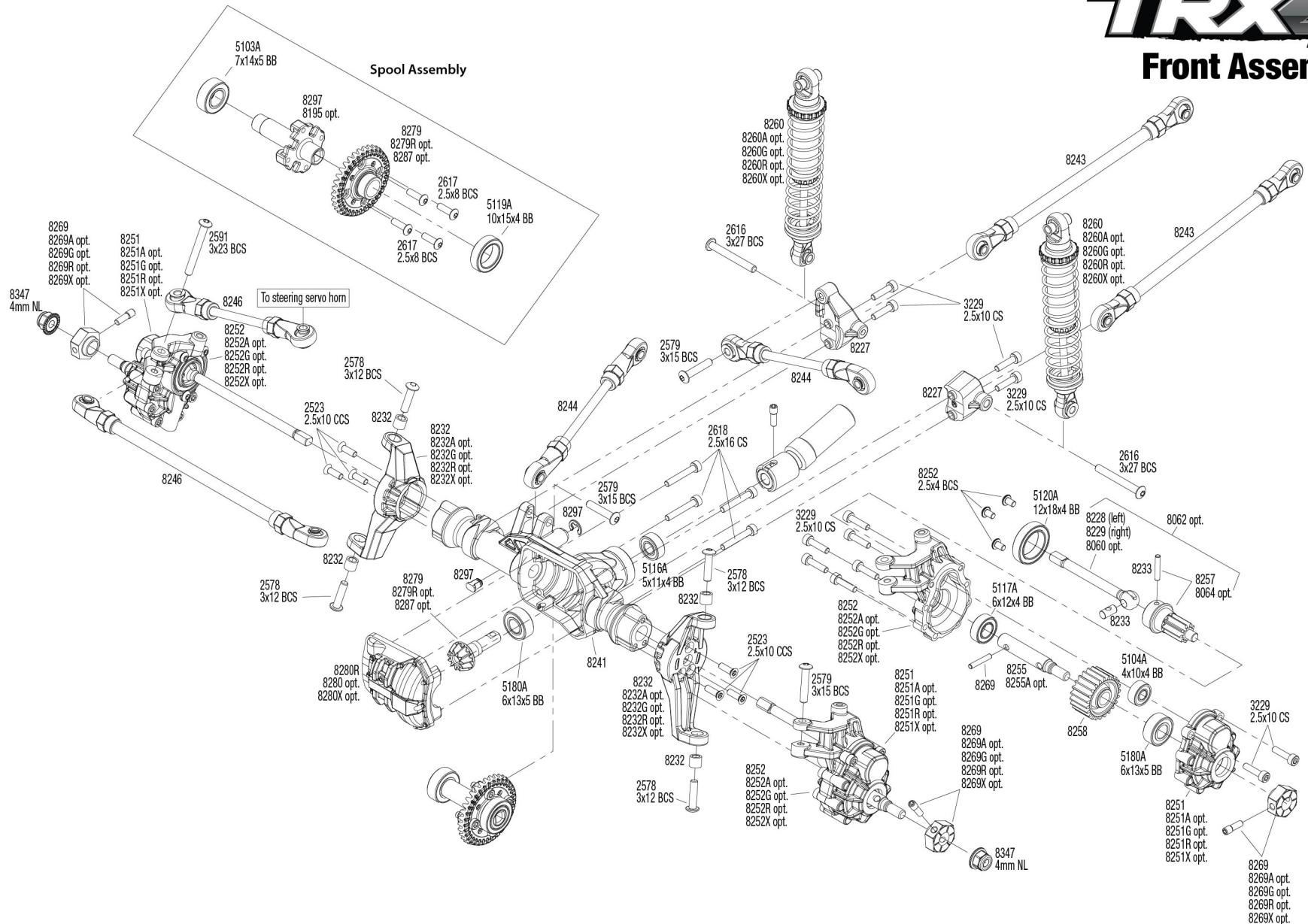
- 8889 Bearing retainers, inner (2)/ outer (2)
- 8890 Drive wheel (1)
- 8885 Shock mounts (frame, left (2), frame, right (2))/ portal mounts (1 each, front (left & right), rear (left & right))
- 8888 Spring (4)





# TRX4<sup>®</sup>

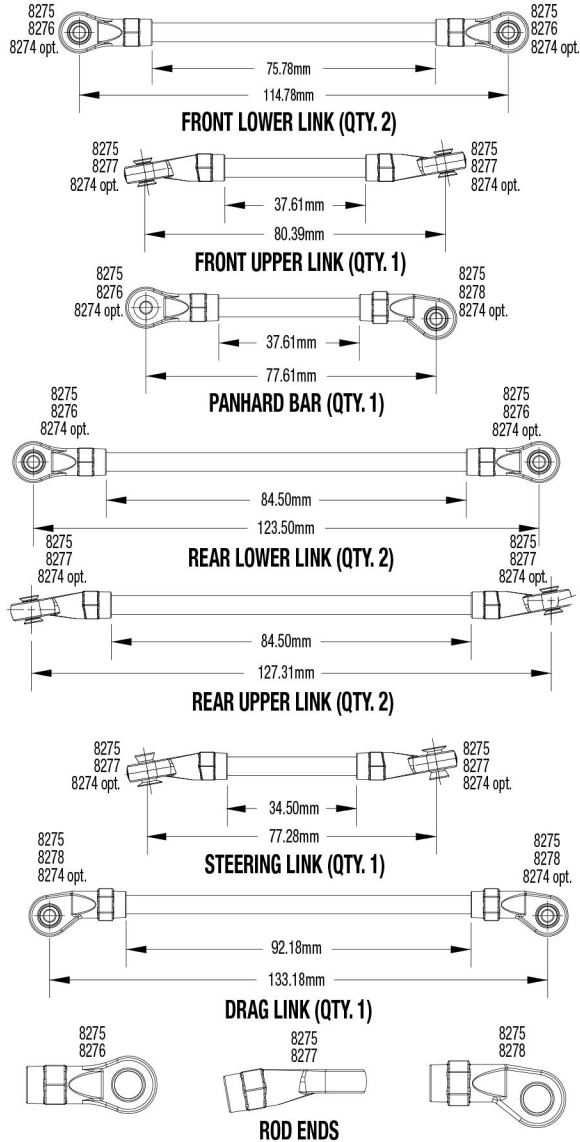
## Front Assembly



See Parts List for a complete listing of optional accessories.

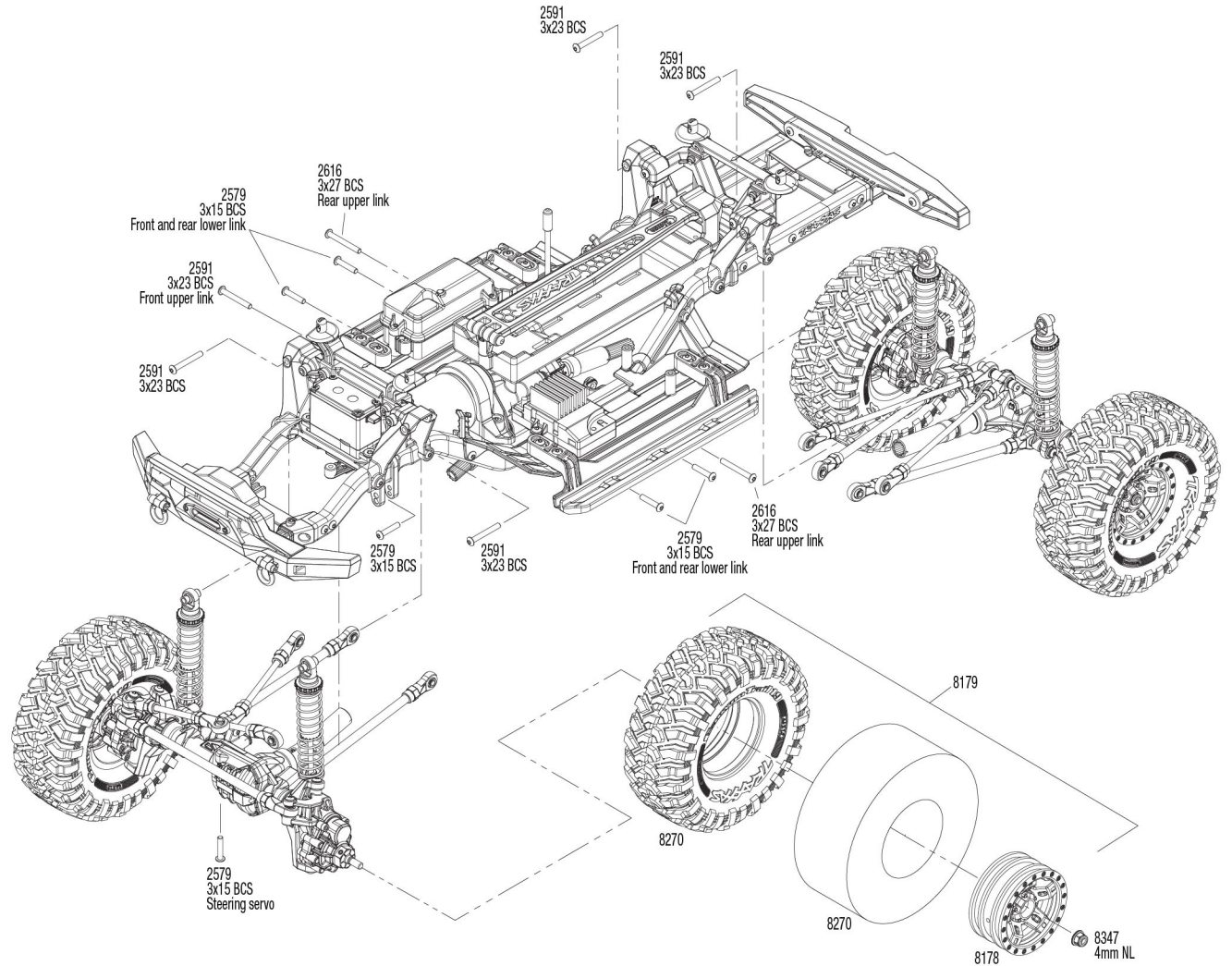
Specifications on this page are subject to change without notice. Every attempt has been made to ensure the accuracy of this drawing; however, Traxxas cannot be held responsible for typographical or other errors.

## Link Dimensions



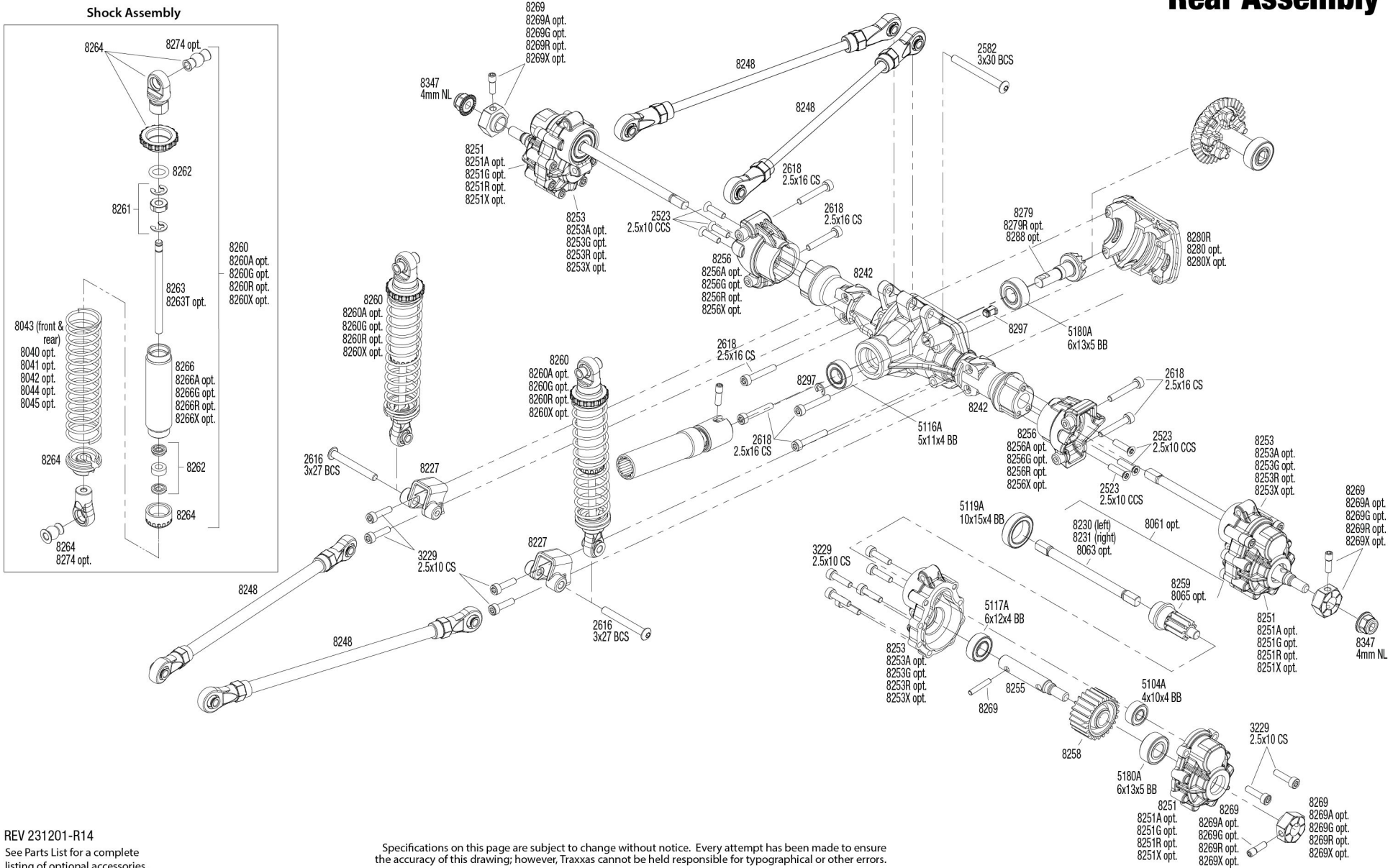
For standard hollow ball replacement, use part #5349.

## Modular Assembly



See Parts List for a complete listing of optional accessories.

REV 231201-R14  
 Specifications on this page are subject to change without notice. Every attempt has been made to ensure the accuracy of this drawing; however, Traxxas cannot be held responsible for typographical or other errors.



REV 231201-R14  
See Parts List for a complete listing of optional accessories.

Specifications on this page are subject to change without notice. Every attempt has been made to ensure the accuracy of this drawing; however, Traxxas cannot be held responsible for typographical or other errors.

