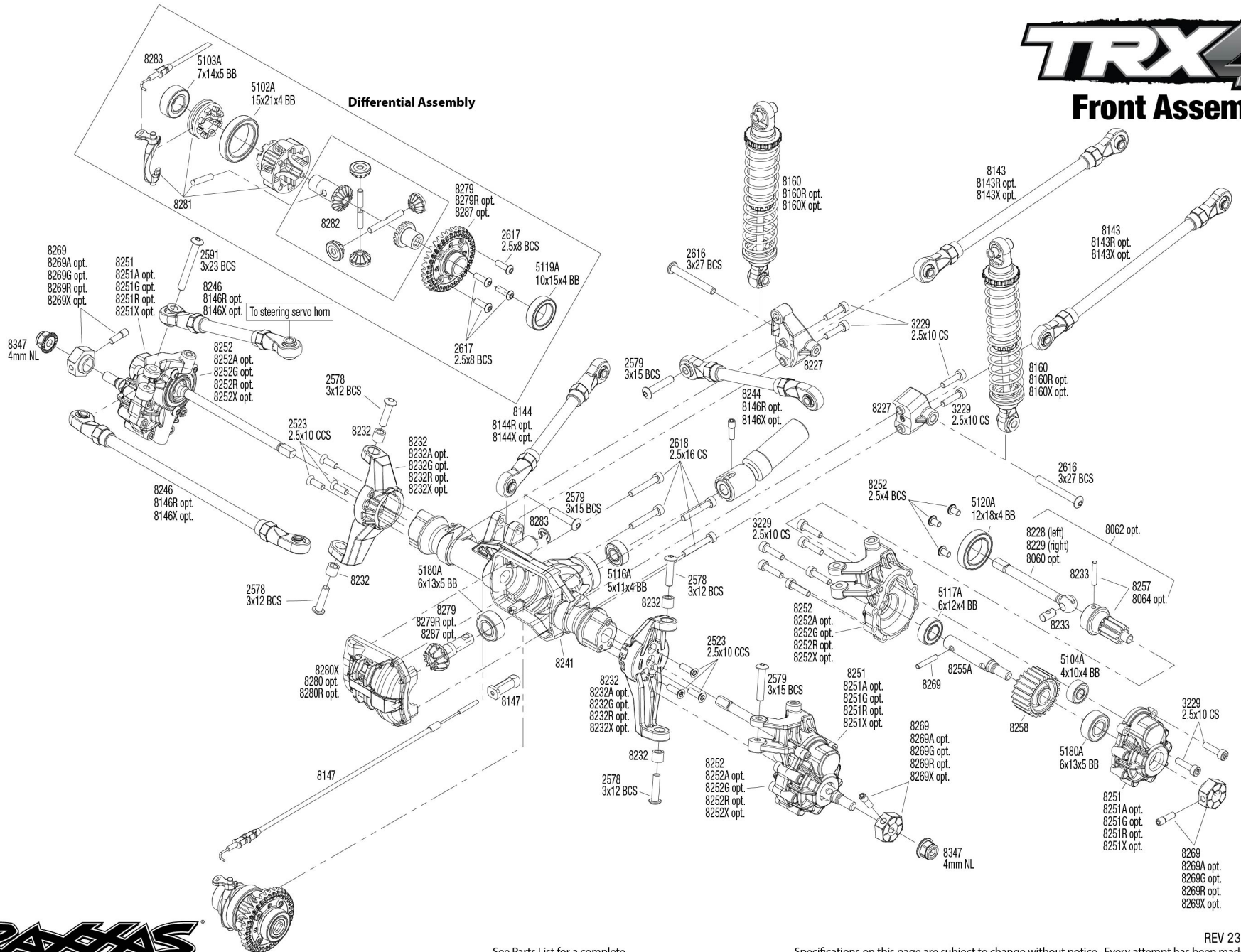


TRX4[®]

Front Assembly

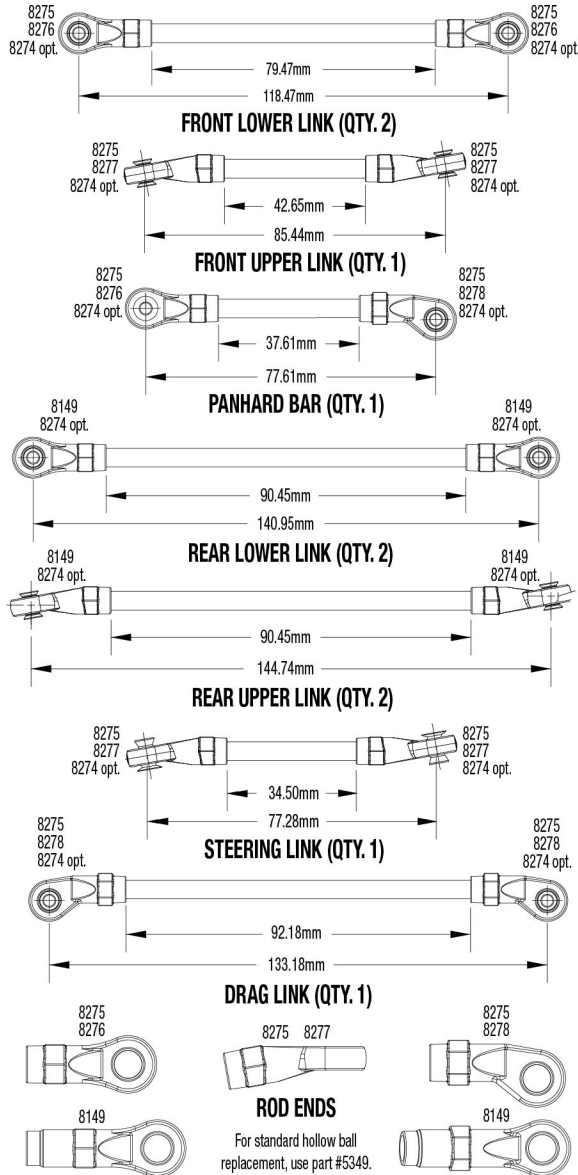


See Parts List for a complete listing of optional accessories.

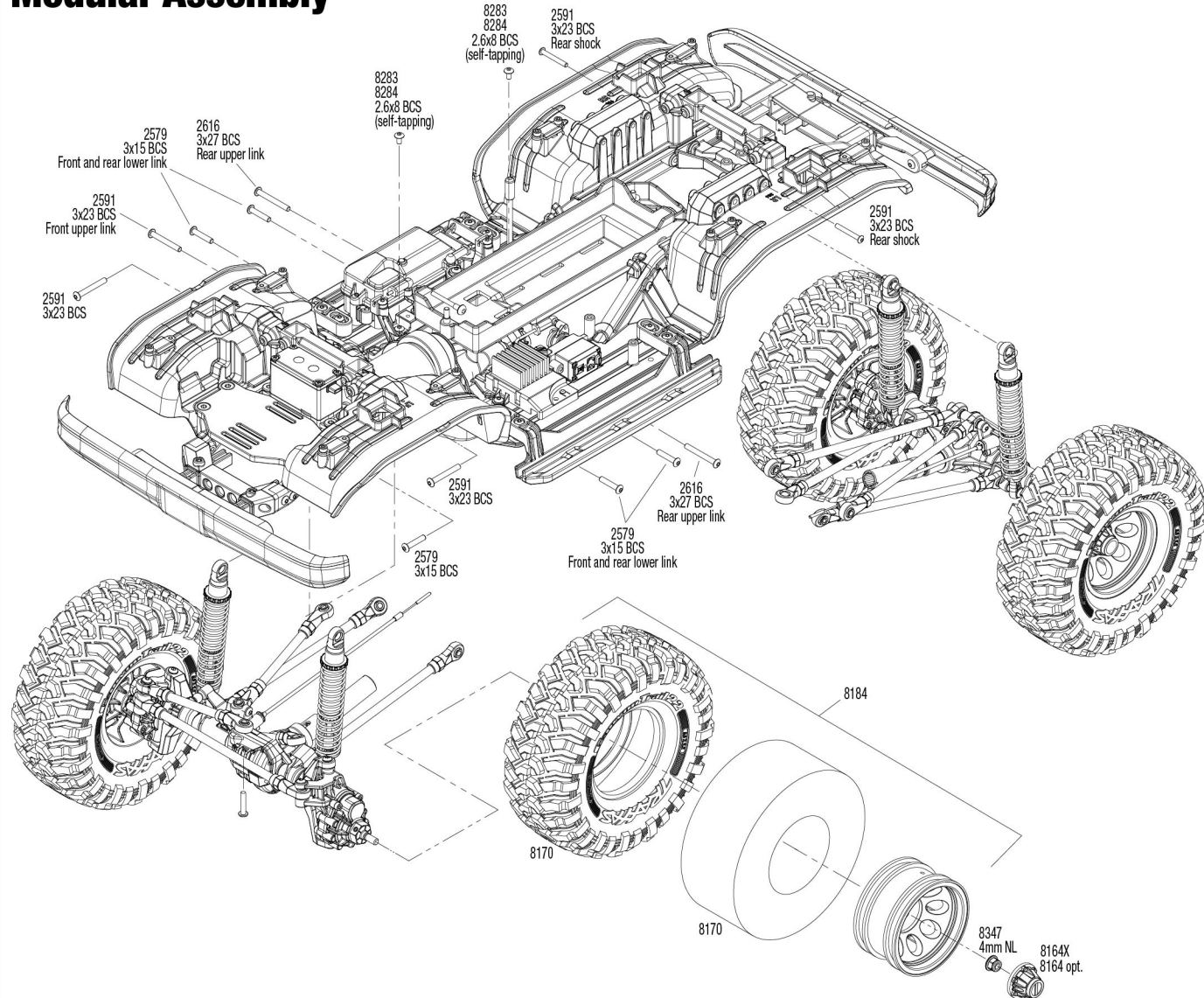
Specifications on this page are subject to change without notice. Every attempt has been made to ensure the accuracy of this drawing; however, Traxxas cannot be held responsible for typographical or other errors.

REV 231215-R05

Link Dimensions



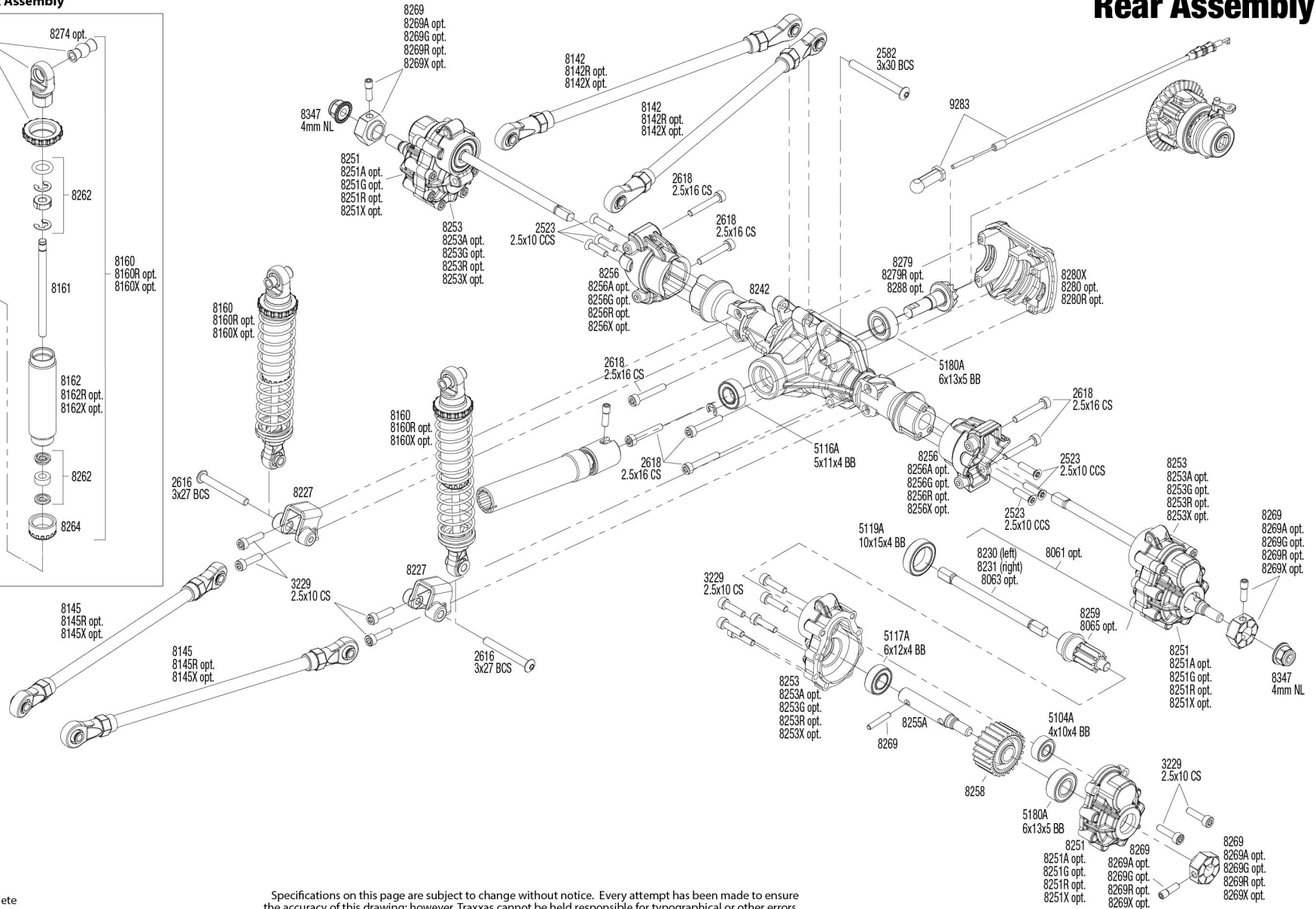
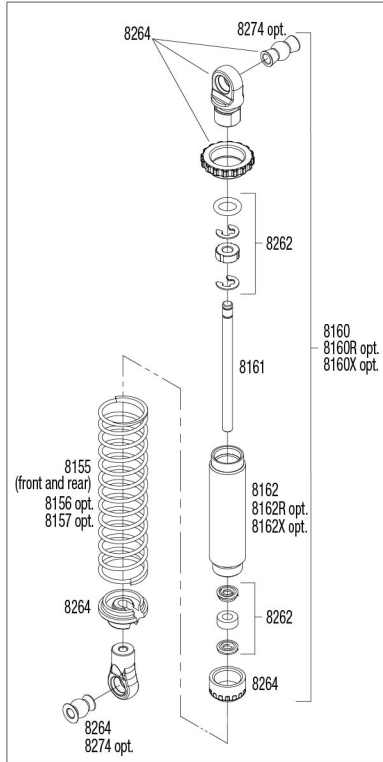
Modular Assembly



See Parts List for a complete listing of optional accessories.

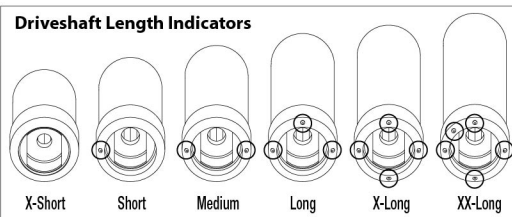
Specifications on this page are subject to change without notice. Every attempt has been made to ensure the accuracy of this drawing; however, Traxxas cannot be held responsible for typographical or other errors.

Shock Assembly

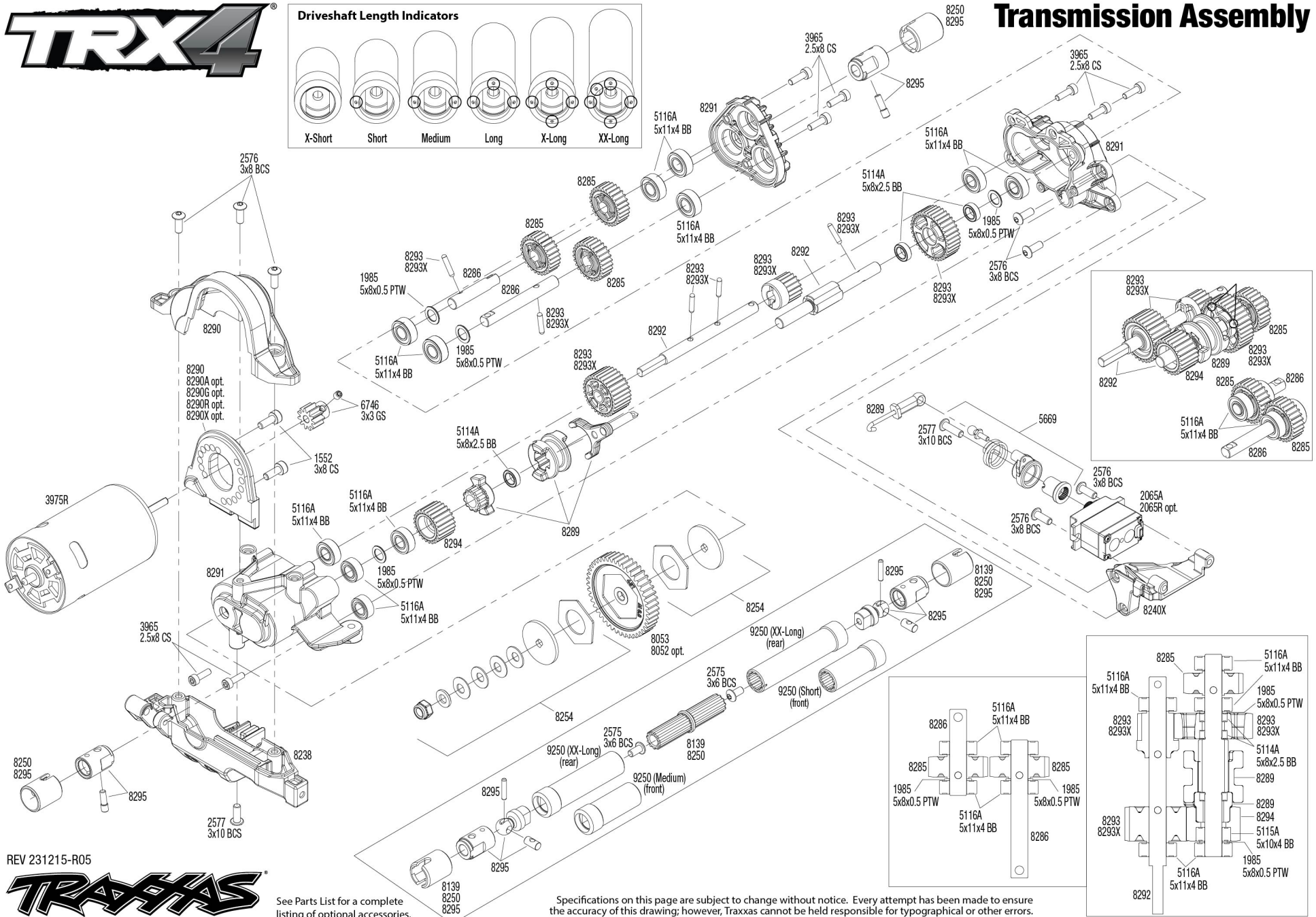




Driveshaft Length Indicators



Transmission Assembly



REV 231215-R05



See Parts List for a complete listing of optional accessories.

Specifications on this page are subject to change without notice. Every attempt has been made to ensure the accuracy of this drawing; however, Traxxas cannot be held responsible for typographical or other errors.



TRX-4® Chevrolet® K10 High Trail Edition™ (Model 92056-4) Parts List

Parts shown in bold are optional accessories. Part categories and individual part listings are arranged alphabetically.

Axle Components

8241	Axle housing, front
8242	Axle housing, intermediate (TRX-6™) or rear (TRX-4®)
8227	Axle mount set (complete) (front & rear) (for suspension links)
8228	Axle shaft, front (left)/ drive pin/ cross pin
8229	Axle shaft, front (right)/ drive pin/ cross pin
8060	Axle shaft, front, heavy duty (left & right) (requires #8064 front portal drive input gear)
8062	Axle shaft, front, heavy duty (left & right)/ portal drive input gear, front (machined) (2) (assembled)
8230	Axle shaft, rear (left)
8231	Axle shaft, rear (right)
8063	Axle shaft, rear, heavy duty (left & right) (requires #8065 rear portal drive input gear)
8061	Axle shaft, rear, heavy duty (left & right)/ portal drive input gear, rear (machined) (2) (assembled)
8147	Cable, T-lock (medium) (for use with TRX-4® Long Arm Lift Kit)
9283	Cable, T-lock, rear (185mm)
8233	Cross pin (2)/ drive pin (2) (to rebuild front axle shafts)
8256	Portal drive axle mount, rear (left & right)
8256X	Portal drive axle mount, rear, 6061-T6 aluminum (blue-anodized) (left and right)/ 2.5x16 CS (4)
8256A	Portal drive axle mount, rear, 6061-T6 aluminum (charcoal gray-anodized) (left and right)/ 2.5x16 CS (4)
8256G	Portal drive axle mount, rear, 6061-T6 aluminum (green-anodized) (left and right)/ 2.5x16 CS (4)
8256R	Portal drive axle mount, rear, 6061-T6 aluminum (red-anodized) (left and right)/ 2.5x16 CS (4)
8252	Portal drive housing, inner, front (left & right)/ 2.5x4 BCS (6)
8253	Portal drive housing, inner, rear (left or right) (2)
8251	Portal drive housing, outer (front or rear) (2)
8064	Portal drive input gear, front (machined) (left or right) (requires #8060 front axle shaft)
8257	Portal drive input gear, front/ drive pin/ cross pin
8259	Portal drive input gear, rear
8065	Portal drive input gear, rear (machined) (left or right) (requires #8063 rear axle)
8258	Portal drive output gear, front or rear
8252X	Portal housings, inner (front), 6061-T6 aluminum (blue-anodized) (2)/ 3x12 BCS (2)
8252A	Portal housings, inner (front), 6061-T6 aluminum (charcoal gray-anodized) (2)/ 3x12 BCS (2)
8252G	Portal housings, inner (front), 6061-T6 aluminum (green-anodized) (2)/ 3x12 BCS (2)
8252R	Portal housings, inner (front), 6061-T6 aluminum (red-anodized) (2)/ 3x12 BCS (2)
8253X	Portal housings, inner (rear), 6061-T6 aluminum (blue-anodized) (2)/ 2.5x10 CS (2)
8253A	Portal housings, inner (rear), 6061-T6 aluminum (charcoal gray-anodized) (2)/ 2.5x10 CS (2)
8253G	Portal housings, inner (rear), 6061-T6 aluminum (green-anodized) (2)/ 2.5x10 CS (2)
8253R	Portal housings, inner (rear), 6061-T6 aluminum (red-anodized) (2)/ 2.5x10 CS (2)
8251X	Portal housings, outer, 6061-T6 aluminum (blue-anodized) (2)/ 2.5x10 CS (12)
8251A	Portal housings, outer, 6061-T6 aluminum (charcoal gray-anodized) (2)/ 2.5x10 CS (12)
8251G	Portal housings, outer, 6061-T6 aluminum (green-anodized) (2)/ 2.5x10 CS (12)
8251R	Portal housings, outer, 6061-T6 aluminum (red-anodized) (2)/ 2.5x10 CS (12)
8255A	Stub axle, extended thread (portal drive) (2)
8267	Weight, portal housing, brass (2) (34 grams)/ 2.5x8 CS (6) (requires #8251X, 8251R, 8251A, or 8251G outer portal housing)

Bearings & Bushings

5119A	Ball bearings, black rubber sealed (10x15x4mm) (2)
5120A	Ball bearings, black rubber sealed (12x18x4mm) (2)
5102A	Ball bearings, black rubber sealed (15x21x4mm) (2)
5104A	Ball bearings, black rubber sealed (4x10x4mm) (2)
5115A	Ball bearings, black rubber sealed (5x10x4mm) (2)

5116A	Ball bearings, black rubber sealed (5x11x4mm) (2)
5114A	Ball bearings, black rubber sealed (5x8x2.5mm) (2)
5117A	Ball bearings, black rubber sealed (6x12x4mm) (2)
5180A	Ball bearings, black rubber sealed (6x13x5mm) (2)
5103A	Ball bearings, black rubber sealed (7x14x5mm) (2)

Body (1979 Chevrolet® K10 Truck)

9226	Body cage (fits #9212 body)
9228	Body mounts (front & rear)/ 3x10mm BCS (7) (fits #9212 body)
9212	Body, Chevrolet K10 Truck (1979) (clear, requires painting)/ decals/ window masks (includes grille, side mirrors, door handles, windshield wipers, clipless mounting, hardware) (requires #9288 inner fenders)
9212X	Body, Chevrolet K10 Truck (1979), complete, black (painted, decals applied) (includes grille, side mirrors, door handles, windshield wipers, front & rear bumpers, clipless mounting) (requires #9288 inner fenders)
9212R	Body, Chevrolet K10 Truck (1979), complete, red (painted, decals applied) (includes grille, side mirrors, door handles, windshield wipers, front & rear bumpers, clipless mounting) (requires #9288 inner fenders)
6593	Distribution block, Pro Scale® Advanced Lighting Control System
8134	Grille, Chevrolet Blazer or K10 Truck (1979)/ grille retainers (4)/ headlight housing (2)/ lens (2)/ 2.6x8 BCS (4)/ 2.5x6 BCS (2) (fits #8130 or 9212 series bodies)
8082	Installation kit, Pro Scale® Advanced Lighting Control System, TRX-4® Chevrolet Blazer or K10 Truck (1979) (includes mount, reverse lights harness, hardware)
8039	LED light set (contains headlights, tail lights, side marker lights, & distribution block) (fits #8130 series bodies, requires #8028 power supply)
8038	LED light set, complete with power supply (contains headlights, tail lights, side marker lights, & distribution block) (fits #8130 series bodies)
9263	Light bar, chrome (housing & lens only) (fits #9262 or 9262X roll bar)
6592	Power module, Pro Scale® Advanced Lighting Control System (includes mount, communication cables, hardware)
6591	Pro Scale® Advanced Lighting Control System (includes power module & distribution block)
8038X	Pro Scale® LED light set, TRX-4® Chevrolet Blazer or K10 Truck (1979), complete with power module (contains headlights, tail lights, side marker lights, & distribution block) (fits #8130 or 9212 series bodies)
6594	Receiver communication cable, Pro Scale® Advanced Lighting Control System
9262X	Roll bar (assembled with LED lights)/ mounts (front (2), rear (left & right))/ 2.6x12mm BCS (self-tapping) (4) (fits #9212 or 9230 series bodies)
9262	Roll bar/ mounts (front (2), rear (left & right))/ 2.6x12mm BCS (self-tapping) (4) (fits #9212 or 9230 series bodies)
8135	Tail lights, left & right (assembled)/ tail light retainers, left & right/ side marker lights (assembled) (2)/ side marker retainers (2)/ mounting tape (2)/ 1.6x5 BCS (self-tapping) (4)/ 2.6x8 BCS (2) (fits #8130 or 9212 series bodies)

Body (1979 Ford® F-150® Truck)

9233	Body cage, front & rear (fits #9230 body)
9234	Body mounts, front & rear (fits #9230 body)
9230	Body, Ford F-150 (1979) (clear, requires painting)/ decals/ window masks (includes grille, side mirrors, door handles, windshield wipers, clipless mounting, hardware) (requires #9288 inner fenders) (roll bar sold separately; choose #9262 chrome, 9262R black, or 9262X chrome with lights)
9230-BLK	Body, Ford F-150 (1979), complete, black (painted, decals applied) (includes grille, side mirrors, door handles, windshield wipers, front & rear bumpers, clipless mounting) (requires #9288 inner fenders) (roll bar sold separately; choose #9262 chrome, 9262R black, or 9262X chrome with lights)
9230-BLUE	Body, Ford F-150 (1979), complete, blue (painted, decals applied) (includes grille, side mirrors, door handles, windshield wipers, front & rear bumpers, clipless mounting) (requires #9288 inner fenders) (roll bar sold separately; choose #9262 chrome, 9262R black, or 9262X chrome with lights)

9230-BRWN	Body, Ford F-150 (1979), complete, brown (painted, decals applied) (includes grille, side mirrors, door handles, windshield wipers, front & rear bumpers, clipless mounting) (requires #9288 inner fenders) (roll bar sold separately; choose #9262 chrome, 9262R black, or 9262X chrome with lights)
6593	Distribution block, Pro Scale® Advanced Lighting Control System
8075	Door handles, left & right/ windshield wipers, left & right/ retainers (3)/ 1.6x5 BCS (self-tapping) (4) (fits #8010 or 9230 series bodies)
8070	Grille, Ford Bronco or F-150/ grille retainers (6)/ headlight housing (2)/ lens (2)/ 2.6x8 BCS (6)/ 2.5x6 BCS (2) (fits #8010 or 9230 series bodies)
8032R	Installation kit, Pro Scale® Advanced Lighting Control System, TRX-4® Ford Bronco (1979), Ford F-150 (1979), or Chevrolet K10 Truck (1979) (includes mount, reverse lights harness, hardware)
8036R	LED light set (contains headlights, tail lights, side marker lights, and distribution block) (fits #8010 or 9230 series bodies, requires #8028 power supply)
8035	LED light set, complete with power supply (contains headlights, tail lights, side marker lights, & distribution block) (fits #8010 body)
8035A	LED light set, complete with power supply (contains headlights, tail lights, side marker lights, & distribution block) (fits #8010 or 9230 series bodies)
8037	LED lights, high/low switch (for #8035 or #8036 LED light kits)
9263	Light bar, chrome (housing & lens only) (fits #9262 or 9262X roll bar)
8073	Mirrors, side, black (left & right)/ retainers (2)/ body clips (4) (fits #8010 or 9230 series bodies)
8073X	Mirrors, side, chrome (left & right)/ retainers (2)/ body clips (4) (fits #8010 or 9230 series bodies)
6592	Power module, Pro Scale® Advanced Lighting Control System (includes mount, communication cables, hardware)
6591	Pro Scale® Advanced Lighting Control System (includes power module & distribution block)
8035R	Pro Scale® LED light set, TRX-4® Ford Bronco (1979) or Ford F-150 (1979), complete with power module (contains headlights, tail lights, side marker lights, & distribution block) (fits #8010 or 9230 series bodies)
6594	Receiver communication cable, Pro Scale® Advanced Lighting Control System
9262X	Roll bar (assembled with LED lights)/ mounts (front (2), rear (left & right))/ 2.6x12mm BCS (self-tapping) (4) (fits #9212 or 9230 series bodies)
9262R	Roll bar (black)/ mounts (front (2), rear (left & right))/ 2.6x12mm BCS (self-tapping) (4) (fits #9212 or 9230 series bodies)
9262	Roll bar mounts (front (2), rear (left & right))/ 2.6x12mm BCS (self-tapping) (4) (fits #9212 or 9230 series bodies)
9231	Side trim, left & right (chrome)/ LED lens/ 2.6x8mm BCS (14)/ 2.6x10mm BCS (6) (fits #9230 body)
8076	Side trim, left & right (chrome)/ retainers/ LED lens/ 2.6x8 BCS (24) (fits #8010 series bodies)
9232	Tailgate panel/ tail light lens (left & right)/ tail light housing (left & right)/ 1.6x10mm BCS (self-tapping) (2) (fits #9230 body)

Body Accessories

1926	Antenna caps, vinyl (2)/ antenna spool
1726	Antenna, tube (1)/ vinyl antenna cap (1)/ wire retainer (1)
1834	Body Clips (12) (standard size)
1834A	Body clips, black (12) (standard size)
3934	Body clips, heavy duty (12)
3934A	Body clips, heavy duty (black) (12)
8215	Body mounts & posts, front & rear (complete set)
9228	Body mounts (front & rear)/ 3x10mm BCS (7) (fits #9212 body)
8115	Body posts, front & rear
4915	Body washers, foam adhesive (10)
2514	Decal sheet, racing sponsors
8081	Fender extensions (4)/ 3x8 flathead screws (24) (requires #8080 narrow inner fenders)
8080	Fenders, inner (narrow), front & rear (2 each)/ rock light covers (8)/ battery plate/ body mount/ 3x8 flat-head screws (4)/ 2.5x6 CS (10)
8072	Fenders, inner, front & rear (2 each)/ rock light covers (8)/ battery plate/ 3x8 flathead screws (4)
9288	Fenders, inner, front & rear (for clipless body mounting) (2 each)/ rock light covers (8)
9950	Official Team Traxxas® racing decal set (flag logo/ 6-color)
9262X	Roll bar (assembled with LED lights)/ mounts (front (2), rear (left & right))/ 2.6x12mm BCS (self-tapping) (4) (fits #9212 or 9230 series bodies)
9262	Roll bar/ mounts (front (2), rear (left & right))/ 2.6x12mm BCS (self-tapping) (4) (fits #9212 or 9230 series bodies)

Bumpers & Skidplates

8234	Bumper D-Rings, grey (front or rear)/ 2.0x12 CS (4)
8234R	Bumper D-rings, red (front or rear)/ 2.0x12 CS (4)
8067	Bumper mounts, front & rear
8067X	Bumper mounts, front & rear/ bumper mount, rear (offset)
8237	Bumper mounts, front & rear/ screw pins (4)
8124	Bumper, front (178mm wide)/ winch/ 2.6x8 BCS (1)
8137	Bumper, front (chrome)/ bumper mount/ 3x10 BCS (2)
8235	Bumper, front/ winch/ 2.6x8 BCS (1)
8236	Bumper, rear
8125	Bumper, rear (176mm wide)
8136	Bumper, rear (chrome)/ bumper mount/ 3x10 BCS (2)
9237	Extender, skid plate
8138	Push bar, bumper, chrome (assembled) (fits #8137 bumper)
8238	Skidplate/ lower gear cover

Chassis & Attachments

8215	Body mounts & posts, front & rear (complete set)
8224	Box, receiver (sealed)/ wire cover/ foam pads/ silicone grease/ 3x8 BCS (5)/ 2.5x8 CS (2)
8058	Chassis conversion kit, TRX-4® (long to short wheelbase) (includes rear upper & lower suspension links, front & rear inner fenders, short female half shaft, battery tray, 3x8mm FCS (4))
8057	Chassis conversion kit, TRX-4® (short to long wheelbase) (includes rear upper & lower suspension links, front & rear shock towers, long female half shaft)
8220	Chassis rails, 448mm (steel) (left & right)
9229	Chassis rails, 480mm (steel) (left & right)
8081	Fender extensions (4)/ 3x8 flathead screws (24) (requires #8080 narrow inner fenders)
8080	Fenders, inner (narrow), front & rear (2 each)/ rock light covers (8)/ battery plate/ body mount/ 3x8 flat-head screws (4)/ 2.5x6 CS (10)
8080X	Fenders, inner (narrow), front & rear (2 each)/ rock light covers (8)/ battery plate/ body mount/ 3x8 flat-head screws (4)/ 2.5x6 CS (10) (for clipless body mounting)
8072	Fenders, inner, front & rear (2 each)/ rock light covers (8)/ battery plate/ 3x8 flathead screws (4)
9288	Fenders, inner, front & rear (for clipless body mounting) (2 each)/ rock light covers (8)
8218	Floor pans, left & right
8224X	Receiver box cover (for use only with #8224 receiver box & #2260 BEC)/ foam pads/ seals/ silicone grease
8219	Rock sliders, left & right
8225	Seal kit, receiver box (includes o-ring, seals, and silicone grease)
8240X	Servo mount, 2-speed/ servo mount, T-Lock/ wire clips
8239	Servo mount, steering/ chassis crossmember
8216	Shock towers, front & rear (left & right)
8226	Tray, battery

Differential Components

8281	Carrier, differential/ differential slider/ T-Lock fork
8280A	Differential cover, front or rear (black)
8280X	Differential cover, front or rear (chrome plated)
8280-GRN	Differential cover, front or rear (green)
8280	Differential cover, front or rear (grey)
8280R	Differential cover, front or rear (red)
8195	Differential, locking, front and rear (assembled) (includes T-Lock cables and servos)
8282	Gear set, differential (output gears (2), spider gears (4), spider gear shaft (2))
8295	Output drive, transmission or differential (pin retainer (1)/ drive cup (1)/ drive ball (1)/ drive pin (1)/ 3x10 screw pin (1)/ cross pin (black) (1) 3x6 BCS with threadlock (1))
8279	Ring gear, differential/ pinion gear, differential
8279R	Ring gear, differential/ pinion gear, differential (machined)
8287	Ring gear, differential/ pinion gear, differential (overdrive, machined)
8288	Ring gear, differential/ pinion gear, differential (underdrive, machined)
8297	Spool/ differential housing plug/ e-clip/ 2.5x8mm BCS (with threadlock) (4)

Driveline Components

9250	Driveshaft extension kit, center (includes internal splined, xx-long (2), internal splined, medium (1) and internal splined, short (1))
8250	Half shafts, center (internal splined, front (2) & internal splined, rear (2)/ external splined (2)/ pin retainer (4)) (plastic parts only)
8255A	Stub axle, extended thread (portal drive) (2)
8269	Wheel hubs, 12mm hex (2)/ stub axle pins (2) (steel)

- 8269X Wheel hubs, 12mm hex, 6061-T6 aluminum (blue-anodized) (4)/ 3x10 screw pin (4)
- 8269A Wheel hubs, 12mm hex, 6061-T6 aluminum (charcoal gray-anodized) (4)/ 3x10 screw pin (4)
- 8269G Wheel hubs, 12mm hex, 6061-T6 aluminum (green-anodized) (4)/ 3x10 screw pin (4)
- 8269R Wheel hubs, 12mm hex, 6061-T6 aluminum (red-anodized) (4)/ 3x10 screw pin (4)

- 8038X Pro Scale® LED light set, TRX-4® Chevrolet Blazer or K10 Truck (1979), complete with power module (contains headlights, tail lights, side marker lights, & distribution block) (fits #8130 or 9212 series bodies)
- 6594 Receiver communication cable, Pro Scale® Advanced Lighting Control System
- 9262X Roll bar (assembled with LED lights)/ mounts (front (2), rear (left & right))/ 2.6x12mm BCS (self-tapping) (4) (fits #9212 or 9230 series bodies)
- 9262 Roll bar/ mounts (front (2), rear (left & right))/ 2.6x12mm BCS (self-tapping) (4) (fits #9212 or 9230 series bodies)

Hardware

- 1552 3x8mm Hex Cap Screws (6)/ Washers (6)/ Wrench (1)
- 1834 Body Clips (12) (standard size)
- 1834A Body clips, black (12) (standard size)
- 3934 Body clips, heavy duty (12)
- 3934A Body clips, heavy duty (black) (12)
- 4859 CS 3x10 flathead (hex drive)
- 8167X Hardware kit, stainless steel, beadlock rings (contains stainless steel hardware for 4 wheels)
- 8298 Hardware kit, stainless steel, TRX-4® (contains all stainless steel hardware used on TRX-4®)
- 8151 Hardware kit, stainless steel, TRX-4® High Lift Kit (contains all stainless steel hardware used on TRX-4® High Lift Kit)
- 5476X Hex wrenches; 1.5mm, 2mm, 2.5mm, 3mm, 2.5 ball
- 1747P Nuts, 4mm flanged nylon locking (aluminum, pink anodized) (4)
- 3647 Nuts, 4mm flanged nylon locking (steel, serrated) (8)
- 8347 Nuts, 4mm flanged nylon locking, serrated (black) (10)
- 1747R Nuts, aluminum, flanged, serrated (4mm) (blue-anodized) (4)
- 1747G Nuts, aluminum, flanged, serrated (4mm) (green-anodized) (4)
- 1747T Nuts, aluminum, flanged, serrated (4mm) (orange-anodized) (4)
- 1747A Nuts, aluminum, flanged, serrated (4mm) (red-anodized) (4)
- 1985 PTFE-coated Washers, 5x8x0.5mm (20) (use with ball bearings)
- 8221 Screw pin, 3x10mm (6)
- 9236 Screws, 1.6x10mm button-head, self-tapping (hex drive) (6)
- 2523 Screws, 2.5x10 countersunk machine (hex drive) (6)
- 3229 Screws, 2.5x10mm cap-head machine (hex drive) (6)
- 3236 Screws, 2.5x12mm cap-head machine (6)
- 2618 Screws, 2.5x16mm cap-head machine (6)
- 3215 Screws, 2.5x6mm cap-head machine (hex drive) (6)
- 2524 Screws, 2.5x8 countersunk machine (hex drive) (6)
- 2617 Screws, 2.5x8mm button-head machine (hex drive) (6)
- 3965 Screws, 2.5x8mm cap-head machine (6)
- 8299 Screws, 2.6x12mm button-head, self-tapping (hex drive) (6)
- 8167 Screws, 2x10mm cap-head, self-tapping (hex drive) (10)
- 2564 Screws, 2x8mm cap-head machine (hex drive) (6)
- 2577 Screws, 3x10mm button-head machine (hex drive) (6)
- 2578 Screws, 3x12mm button-head machine (hex drive) (6)
- 2579 Screws, 3x15mm button-head machine (hex drive) (6)
- 2591 Screws, 3x23mm button-head machine (hex drive) (6)
- 2581 Screws, 3x25mm button-head machine (hex drive) (6)
- 2616 Screws, 3x27mm button-head machine (hex drive) (6)
- 2582 Screws, 3x30mm button-head machine (hex drive) (6)
- 2575 Screws, 3x6mm button-head machine (hex drive) (6)
- 3932 Screws, 3x6mm flat-head machine (hex drive) (6)
- 2576 Screws, 3x8mm button-head machine (hex drive) (6)
- 3931 Screws, 3x8mm flat-head machine (hex drive) (6)
- 3933 Screws, 4x16mm button-head machine (hex drive) (6)

LED Light Accessories

- 8031 3-in-1 wire harness, LED light kit
- 8089 4-in-2 wire harness, LED light kit
- 6589 Distribution block, LED light set
- 6593 Distribution block, Pro Scale® Advanced Lighting Control System
- 8039 LED light set (contains headlights, tail lights, side marker lights, & distribution block) (fits #8130 series bodies, requires #8028 power supply)
- 8038 LED light set, complete with power supply (contains headlights, tail lights, side marker lights, & distribution block) (fits #8130 series bodies)
- 8028 LED lights, power supply (regulated, 3V, 0.5-amp)/ 3-in-1 wire harness
- 8026X LED rock light kit, TRX-4®/TRX-6™ (requires #8028 power supply and #8018, #8072, or #8080 inner fenders)
- 9263 Light bar, chrome (housing & lens only) (fits #9262 or 9262X roll bar)
- 6592 Power module, Pro Scale® Advanced Lighting Control System (includes mount, communication cables, hardware)
- 6591 Pro Scale® Advanced Lighting Control System (includes power module & distribution block)

Long Arm Lift Kit

- 8162X Body, GTS shock, long (aluminum, blue-anodized) (1) (for use #8140X TRX-4® Long Arm Lift Kit)
- 8162R Body, GTS shock, long (aluminum, red-anodized) (1) (for use with #8140R TRX-4® Long Arm Lift Kit)
- 8162 Body, GTS shock, long (silver aluminum) (1) (for use with #8140 TRX-4® Long Arm Lift Kit)
- 8147 Cable, T-lock (medium) (for use with TRX-4® Long Arm Lift Kit)
- 8148 Cable, T-lock, extra long (193mm) (for use with TRX-4® Long Arm Lift Kit)
- 9283 Cable, T-lock, rear (185mm)
- 8150 Driveshaft extension kit, center (includes internal splined, x-long (2), internal splined, long (1) and internal splined, medium (1)) (for use with TRX-4® Long Arm Lift Kit)
- 8140 Long arm lift kit, TRX-4®, complete
- 8140X Long arm lift kit, TRX-4®, complete (includes blue powder coated links, blue-anodized shocks)
- 8140-GRN Long arm lift kit, TRX-4®, complete (includes green powder coated links, green-anodized shocks)
- 8140R Long arm lift kit, TRX-4®, complete (includes red powder coated links, red-anodized shocks)
- 8149 Rod ends, extended (standard (4), angled (4))/ hollow balls (8) (for use with TRX-4® Long Arm Lift Kit)
- 8141 Servo mount, steering (for use with TRX-4® Long Arm Lift Kit)
- 8161 Shock shaft, 3x57mm (GTS) (2) (includes bump stops) (for use with TRX-4® Long Arm Lift Kit)
- 8160X Shocks, GTS, aluminum (blue-anodized) (assembled without springs) (4) (for use with #8140X TRX-4® Long Arm Lift Kit)
- 8160-GRN Shocks, GTS, aluminum (green-anodized) (assembled without springs) (4) (for use with #8140 TRX-4® Long Arm Lift Kit)
- 8160R Shocks, GTS, aluminum (red-anodized) (assembled without springs) (4) (for use with #8140R TRX-4® Long Arm Lift Kit)
- 8160 Shocks, GTS, silver aluminum (assembled without springs) (4) (for use with #8140 TRX-4® Long Arm Lift Kit)
- 8153 Springs, shock, long (natural finish) (GTS) (0.29 rate, white stripe) (for use with TRX-4® Long Arm Lift Kit)
- 8154 Springs, shock, long (natural finish) (GTS) (0.39 rate, orange stripe) (for use with TRX-4® Long Arm Lift Kit)
- 8155 Springs, shock, long (natural finish) (GTS) (0.47 rate) (included with TRX-4® Long Arm Lift Kit)
- 8156 Springs, shock, long (natural finish) (GTS) (0.54 rate, green stripe) (for use with TRX-4® Long Arm Lift Kit)
- 8157 Springs, shock, long (natural finish) (GTS) (0.62 rate, blue stripe) (for use with TRX-4® Long Arm Lift Kit)
- 8146X Steering link, 5x117mm (1)/ drag link, 5x60mm (1)/ panhard link, 5x63mm (blue powder coated steel) (assembled with hollow balls) (for use with #8140X TRX-4® Long Arm Lift Kit)
- 8146R Steering link, 5x117mm (1)/ drag link, 5x60mm (1)/ panhard link, 5x63mm (red powder coated steel) (assembled with hollow balls) (for use with #8140R TRX-4® Long Arm Lift Kit)
- 8144X Suspension link, front upper, 5x68mm (1) (blue powder coated steel) (assembled with hollow balls) (for use with #8140X TRX-4® Long Arm Lift Kit)
- 8144R Suspension link, front upper, 5x68mm (1) (red powder coated steel) (assembled with hollow balls) (for use with #8140R TRX-4® Long Arm Lift Kit)
- 8144 Suspension link, front upper, 5x68mm (1) (steel) (assembled with hollow balls) (for use with #8140 TRX-4® Long Arm Lift Kit)
- 8143 Suspension links, front lower (2) (5x104mm, steel) (assembled with hollow balls) (for use with #8140 TRX-4® Long Arm Lift Kit)
- 8143X Suspension links, front lower, blue (2) (5x104mm, powder coated steel) (assembled with hollow balls) (for use with #8140X TRX-4® Long Arm Lift Kit)
- 8143R Suspension links, front lower, red (2) (5x104mm, powder coated steel) (assembled with hollow balls) (for use with #8140R TRX-4® Long Arm Lift Kit)
- 8145 Suspension links, rear lower (2) (5x115mm, steel) (assembled with hollow balls) (for use with #8140 TRX-4® Long Arm Lift Kit)
- 8145X Suspension links, rear lower, blue (2) (5x115mm, powder coated steel) (assembled with hollow balls) (for use with #8140X TRX-4® Long Arm Lift Kit)

8145R	Suspension links, rear lower, red (2) (5x115mm, powder coated steel) (assembled with hollow balls) (for use with #8140R TRX-4® Long Arm Lift Kit)
8142	Suspension links, rear upper (2) (5x115mm, steel) (assembled with hollow balls) (for use with #8140 TRX-4® Long Arm Lift Kit)
8142X	Suspension links, rear upper, blue (2) (5x115mm, powder coated steel) (assembled with hollow balls) (for use with #8140X TRX-4® Long Arm Lift Kit)
8142R	Suspension links, rear upper, red (2) (5x115mm, powder coated steel) (assembled with hollow balls) (for use with #8140R TRX-4® Long Arm Lift Kit)
8172	Tires & wheels, assembled (Method Race Wheels® 105 Beadlock 2.2" black chrome beadlock wheels, Canyon Trail 5.3x2.2" tires, foam inserts) (1 left, 1 right)
8184	Tires & wheels, assembled, glued (2.2" classic chrome wheels, Canyon Trail 5.3x2.2" tires, foam inserts) (2)/ center caps (front (2), rear (2)) (requires #8255A extended thread stub axle)
8181-BLUE	Tires & wheels, assembled, glued (TRX-4® Sport 2.2" gray, blue beadlock style wheels, Canyon Trail 5.3x2.2" tires) (2)
8181-GRN	Tires & wheels, assembled, glued (TRX-4® Sport 2.2" gray, green beadlock style wheels, Canyon Trail 5.3x2.2" tires) (2)
8181-RED	Tires & wheels, assembled, glued (TRX-4® Sport 2.2" gray, red beadlock style wheels, Canyon Trail 5.3x2.2" tires) (2)
8181	Tires & wheels, assembled, glued (TRX-4® Sport 2.2" wheels, Canyon Trail 5.3x2.2" tires) (2)
8170	Tires, Canyon Trail 5.3x2.2" foam inserts (2)
8171	Wheels, 2.2", Method Race Wheels® 105 Beadlock (black chrome, beadlock) (beadlock rings sold separately)
8171A	Wheels, 2.2", Method Race Wheels® 105 Beadlock (charcoal gray, beadlock) (beadlock rings sold separately)
8180	Wheels, TRX-4® Sport 2.2 (2)
8180-BLUE	Wheels, TRX-4® Sport 2.2 (gray, blue beadlock style) (2)
8180-GRN	Wheels, TRX-4® Sport 2.2 (gray, green beadlock style) (2)
8180-RED	Wheels, TRX-4® Sport 2.2 (gray, red beadlock style) (2)

Motors & Electronics

1926	Antenna caps, vinyl (2)/ antenna spool
1726	Antenna, tube (1)/ vinyl antenna cap (1)/ wire retainer (1)
2262	BEC, complete (12.6 volts (3s LiPo) maximum input voltage) (includes receiver box cover and seals)
2064A	Gear set (for 2065A waterproof sub-micro servo)
2064R	Gear set, metal (for 2065R waterproof sub-micro servo)
2072X	Gear set, metal (for 2070, 2075 servos)
2252	Gear set, metal (for 2250, 2255 servos)
2272	Gear set, metal (for 2270 waterproof servo)
2072R	Gear set, metal, high-speed (for 2070, 2075 servos)
8290X	Motor mount plate, 6061-T6 aluminum (blue-anodized)
8290A	Motor mount plate, 6061-T6 aluminum (charcoal gray-anodized)
8290G	Motor mount plate, 6061-T6 aluminum (green-anodized)
8290R	Motor mount plate, 6061-T6 aluminum (red-anodized)
3975R	Motor, Titan 550, reverse rotation (21-turns/ 14 volts) (1)
8290	Plate, motor/ upper spur gear cover
2254	Servo case, aluminum (middle) (blue-anodized) (for 2250 servo)
2253	Servo case, aluminum (middle) (red-anodized) (for 2255 servo)
2251	Servo case, plastic (top, middle, bottom)/ gaskets/ hardware (for 2250, 2255 servos)
2271	Servo case/ gaskets (for 2270 waterproof servo)
2063A	Servo case/gaskets (for 2065A waterproof sub-micro servo)
2063R	Servo case/gaskets (for 2065R metal gear, waterproof, sub-micro servo)
2063X	Servo case/gaskets (for 2065X metal gear, waterproof, sub-micro servo)
5669	Servo horn (with built-in spring and hardware) (for Summit locking differential)
2075R	Servo, digital high-speed, metal gear (ball bearing), waterproof
2250	Servo, digital high-torque 330 coreless, metal gear (ball bearing), waterproof (#2262 external BEC and #8247X metal servo horn recommended for optimal performance)
2255	Servo, digital high-torque 400 brushless, metal gear (ball bearing), waterproof (#2262 external BEC and #8247X metal servo horn recommended for optimal performance)
2270	Servo, digital high-torque, metal gear (ball bearing), waterproof
2075X	Servo, digital high-torque, metal gear (ball bearing), waterproof
2065A	Servo, sub-micro, waterproof
2065R	Servo, sub-micro, waterproof, metal gear
3025	XL-5HV 3s Electronic Speed Control, waterproof (low-voltage detection, fwd/rev/brake)
2261	Y-harness, BEC

Pro Scale® Winch & Accessories

8867	Bumper, front, winch, medium (includes bumper mount, D-Rings, fairlead, hardware) (fits TRX-4® 1979 Bronco and 1979 Blazer with 8855 winch) (217mm wide)
8859	Fairlead, winch
8870X	Fairlead, winch, aluminum (blue-anodized) (use with front bumpers #8865, 8866, 8867, 8869, or 9224)
8870A	Fairlead, winch, aluminum (gray-anodized) (use with front bumpers #8865, 8866, 8867, 8869, or 9224)
8870G	Fairlead, winch, aluminum (green-anodized) (use with front bumpers #8865, 8866, 8867, 8869, or 9224)
8870T	Fairlead, winch, aluminum (orange-anodized) (use with front bumpers #8865, 8866, 8867, 8869, or 9224)
8870R	Fairlead, winch, aluminum (red-anodized) (use with front bumpers #8865, 8866, 8867, 8869, or 9224)
8862	Gearmotor, winch
8863	Hook, winch (steel)/ line retainer/ washer
8858	Housings (front & rear), winch/ decal
8864X	Line, winch (blue)
8864	Line, winch (gray)
8864R	Line, winch (red)
8860	Spool shaft assembly, winch
8861	Spool, winch
8855	Winch kit with wireless controller, TRX-4® and TRX-6®
8856	Winch, TRX-4® and TRX-6® (requires #8857 wireless remote)
8857	Wireless remote, winch, TRX-4® and TRX-6®

Radio System, Batteries & Chargers

2823X	1400mah 11.1v 3-Cell 25C LiPo Battery
2820X	2200mah 7.4v 2-Cell 25C LiPo Battery
2849X	4000mah 11.1v 3-Cell 25C LiPo Battery
2872X	5000mah 11.1v 3-Cell 25C LiPo Battery
2842X	5000mah 7.4v 2-Cell 25C LiPo Battery
2843X	5800mah 7.4v 2-Cell 25C LiPo Battery
2869X	7600mah 7.4v 2-Cell 25C LiPo Battery
2914	Battery, Power Cell AA Alkaline (4)
2976	AC to DC adapter
2938X	Adapter, Traxxas® iD® LiPo battery (adapts Traxxas® iD® batteries to separate balance ports)
1726	Antenna, tube (1)/ vinyl antenna cap (1)/ wire retainer (1)
2943	Battery charge indicators, green (4), grey (4), blue (4)
6548	Battery door, TQ 2.4 transmitter (replacement for #6516, 6517 transmitter)
8222	Battery strap (for use with 2200mAh 2-cell and 1400mAh 3-cell LiPo batteries)
2923X	Battery, Power Cell, 3000mAh (NiMH, 7-C flat, 8.4V)
2940X	Battery, Series 3 Power Cell, 3300mAh (NiMH, 7-C flat, 8.4V)
2950X	Battery, Series 4 Power Cell, 4200mAh (NiMH, 7-C flat, 8.4V)
2960X	Battery, Series 5 Power Cell, 5000mAh (NiMH, 7-C flat, 8.4V)
2983	Battery/charger completer pack (includes #2969 2-amp NiMH peak detecting AC charger (1), #2923X 3000mAh 8.4V 7-cell NiMH iD® battery (1))
2992	Battery/charger completer pack (includes #2970 iD® charger (1), #2843X 5800mAh 7.4V 2-cell 25C LiPo iD® battery (1))
2994	Battery/charger completer pack (includes #2970 iD® charger (1), #2849X 4000mAh 11.1v 3-Cell 25C LiPo iD® battery (1))
2991	Battery/charger completer pack (includes #2972 Dual iD charger (1), #2869X 7600mAh 7.4V 2-cell 25C LiPo iD® Battery (2))
2262	BEC, complete (12.6 volts (3s LiPo) maximum input voltage) (includes receiver box cover and seals)
2975	Charger, D/C, 4 amp (6 - 7 cell, 7.2 - 8.4 volt, NiMH)
2972	Charger, EZ-Peak Dual, 100W, NiMH/LiPo with iD Auto Battery Identification
2973	Charger, EZ-Peak Live Dual, 200W, NiMH/LiPo with iD Auto Battery Identification
2970	Charger, EZ-Peak Plus, 4 amp, NiMH/LiPo with iD Auto Battery Identification
2971	Charger, EZ-Peak® Live, 100W, NiMH/LiPo with iD® Auto Battery Identification
2981	Charger, EZ-Peak® Plus 4s, 8 amp, NiMH/LiPo with iD® Auto Battery Identification
6525	Communication link, telemetry expander
6512	Cover plate, Traxxas® Link Bluetooth® module
2978	Fuse, D/C charger, 5A (2) (for #2974, 2975, 2977)
2064A	Gear set (for 2065A waterproof sub-micro servo)
2064R	Gear set, metal (for 2065R waterproof sub-micro servo)
2072X	Gear set, metal (for 2070, 2075 servos)
2252	Gear set, metal (for 2250, 2255 servos)
2272	Gear set, metal (for 2270 waterproof servo)
2072R	Gear set, metal, high-speed (for 2070, 2075 servos)

2968X	LiPo cell voltage checker/balancer (includes #2938X adapter for Traxxas® iD® batteries)
2968	LiPo cell voltage checker/balancer (requires #2938X adapter for Traxxas® iD® batteries)
6561	Mount, telemetry expander
6535	Mount, temperature sensor (electric motors)/ wire tie/ thermal pad
6533	Receiver, micro, TQi 2.4GHz with telemetry & TSM® (5-channel)
6552	Seal kit, expander box (includes o-ring, seals, and silicone grease)
6526	Sensor, auto-detectable, temperature
6527	Sensor, auto-detectable, voltage
6521	Sensor, temperature and voltage (long)
2254	Servo case, aluminum (middle) (blue-anodized) (for 2250 servo)
2253	Servo case, aluminum (middle) (red-anodized) (for 2255 servo)
2251	Servo case, plastic (top, middle, bottom)/ gaskets/ hardware (for 2250, 2255 servos)
2271	Servo case/ gaskets (for 2270 waterproof servo)
2063A	Servo case/gaskets (for 2065A waterproof sub-micro servo)
2063R	Servo case/gaskets (for 2065R metal gear, waterproof, sub-micro servo)
2063X	Servo case/gaskets (for 2065X metal gear, waterproof, sub-micro servo)
2075R	Servo, digital high-speed, metal gear (ball bearing), waterproof
2250	Servo, digital high-torque 330 coreless, metal gear (ball bearing), waterproof (#2262 external BEC and #8247X metal servo horn recommended for optimal performance)
2255	Servo, digital high-torque 400 brushless, metal gear (ball bearing), waterproof (#2262 external BEC and #8247X metal servo horn recommended for optimal performance)
2075X	Servo, digital high-torque, metal gear (ball bearing), waterproof
2270	Servo, digital high-torque, metal gear (ball bearing), waterproof
2065A	Servo, sub-micro, waterproof
2065R	Servo, sub-micro, waterproof, metal gear
6553X	Telemetry Expander 2.0 and GPS module 2.0, TQi radio system
6550X	Telemetry expander 2.0, TQi radio system (for use only with #6551X GPS module)
6551X	Telemetry GPS module 2.0, TQi radio system (for use only with #6550X telemetry expander)
6509R	TQi 2.4 GHz High Output radio system, 2-channel, Traxxas® Link enabled, TSM® (2-ch transmitter, 5-ch micro receiver)
6507R	TQi 2.4 GHz High Output radio system, 4-channel with Traxxas® Link Bluetooth® module, TSM® (4-ch transmitter, 5-ch micro receiver)
6530	Transmitter, TQi Traxxas® Link enabled, 2.4GHz high output, 4-channel (transmitter only)
6511	Traxxas® Link Bluetooth® module
2261	Y-harness, BEC

Ready-To-Race Model

92056-4	TRX-4® High Trail Edition™ with 1979 Chevrolet® K10 Truck Body: 4WD Electric Truck with TQi™ Traxxas Link™ Enabled 2.4GHz Radio System
---------	--

Scale Details

8120X	Expedition rack, complete (includes traction boards, shovel, axe, jack, fire extinguisher, fuel cans, & mounting hardware) (fits #8111 or #8111R body)
8422-BLK	Fire extinguisher, black (2)
8422	Fire extinguisher, red (2)
8022T	Fuel canisters (black) (2)/ screw pin
8022R	Fuel canisters (blue) (2)/ screw pin
8022-GRN	Fuel canisters (green) (2)/ screw pin
8022	Fuel canisters (red) (2)/ screw pin
8022X	Fuel canisters (white) (2)/ screw pin
8022A	Fuel canisters (yellow) (2)/ screw pin
8023	Jack (1) 2x8 BCS (1)
8023T	Jack (black) (1)/ 2x8 BCS (1)
8122-BLK	Shovel/ axe (black)/ accessory mount/ mounting hardware
8122	Shovel/ axe/ accessory mount/ mounting hardware
8121X	Traction boards, blue/ mounting hardware
8121G	Traction boards, green/ mounting hardware
8121A	Traction boards, yellow/ mounting hardware
8121	Traction boards/ mounting hardware

Shock Oil

5031	Oil, shock (20 wt, 200 cSt, 60cc) (silicone)
5032	Oil, shock (30 wt, 350 cSt, 60cc) (silicone)
5033	Oil, shock (40 wt, 500 cSt, 60cc) (silicone)
5034	Oil, shock (50 wt, 600 cSt, 60cc) (silicone)
5035	Oil, shock (60 wt, 700 cSt, 60cc) (silicone)
5036	Oil, shock (70 wt, 900 cSt, 60cc) (silicone)

5037	Oil, shock (80 wt, 1,000 cSt, 60cc) (silicone)
5029	Shock oil bottle (60cc) (for mixing shock oil)
5038X	Shock oil set (includes 20 wt, 30 wt, 40 wt, 50 wt, 60 wt, 70 wt, & 80 wt premium shock oils with spinning carousel rack)
5038	Spinning carousel rack

Shocks (GTS)

8266A	Body, GTS shock (aluminum, blue-anodized) (1)
8266G	Body, GTS shock (aluminum, green-anodized) (1)
8266R	Body, GTS shock (aluminum, red-anodized) (1)
8266	Body, GTS shock (aluminum, silver-anodized) (1)
8266X	Body, GTS shock (hard-anodized, PTFE-coated aluminum) (1)
8264	Caps & spring retainers. GTS shocks (upper cap (2)/ hollow balls (4)/ bottom cap (2)/ upper retainer (2)/ lower retainer (2))
8274	Hollow ball set, complete, TRX-4® (aluminum, PTFE-coated)
5475	Multi-tool (plastic)
8261	Piston, damper (red) (4)/ e-clips (8)
8262	Rebuild kit, TRX-4® shocks (x-rings, o-rings, pistons, bushings, e clips, rod ends, and travel limiters)
8263	Shock shaft, 3x47mm (GTS) (2)
8263T	Shock shaft, 3x47mm (GTS) (titanium nitride-coated) (2)
8260X	Shocks, GTS hard-anodized, PTFE-coated aluminum bodies with TiN shafts (assembled with spring retainers) (2)
8260A	Shocks, GTS, blue-anodized (assembled with spring retainers) (2)
8260G	Shocks, GTS, green-anodized (assembled with spring retainers) (2)
8260R	Shocks, GTS, red-anodized (assembled with spring retainers) (2)
8260	Shocks, GTS, silver aluminum (assembled with spring retainers) (2)

Slipper Clutch Components

8292	Input shaft/ output shaft (transmission)
8286	Output shafts (transfer case), front & rear
8254	Rebuild kit, slipper clutch (steel disc (2)/ friction insert (2)/ 4.0mm NL (1)/ spring washers (2))
8249	Slipper eliminator plate

Springs

8041	Springs, shock (GTS) (front) (0.45 rate) (2)
8040	Springs, shock (GTS) (rear) (0.54 rate) (2)
8042	Springs, shock (natural finish) (GTS) (0.22 rate, yellow stripe) (2)
8043	Springs, shock (natural finish) (GTS) (0.30 rate, white stripe) (2)
8044	Springs, shock (natural finish) (GTS) (0.39 rate, orange stripe) (2)
8045	Springs, shock (natural finish) (GTS) (0.61 rate, blue stripe) (2)

Spur Gears & Pinion Gears

6746	Gear, 10-T pinion (32-p) (steel) (fits 3mm shaft)/ set screw
6747	Gear, 11-T pinion (32-p) (steel) (fits 3mm shaft)/ set screw
3942X	Gear, 12-T pinion (32-p), heavy duty (machined, hardened steel) (fits 3mm shaft)/ set screw
3943X	Gear, 13-T pinion (32-p), heavy duty (machined, hardened steel) (fits 3mm shaft)/ set screw
3944X	Gear, 14-T pinion (32-p), heavy duty (machined, hardened steel) (fits 3mm shaft)/ set screw
3945X	Gear, 15-T pinion (32-p), heavy duty (machined, hardened steel) (fits 3mm shaft)/ set screw
3946X	Gear, 16-T pinion (32-p), heavy duty (machined, hardened steel) (fits 3mm shaft)/ set screw
3947X	Gear, 17-T pinion (32-p), heavy duty (machined, hardened steel) (fits 3mm shaft)/ set screw
3948X	Gear, 18-T pinion (32-p), heavy duty (machined, hardened steel) (fits 3mm shaft)/ set screw
3949X	Gear, 19-T pinion (32-p), heavy duty (machined, hardened steel) (fits 3mm shaft)/ set screw
3950X	Gear, 20-T pinion (32-p), heavy duty (machined, hardened steel) (fits 3mm shaft)/ set screw
3951X	Gear, 21-T pinion (32-p), heavy duty (machined, hardened steel) (fits 3mm shaft)/ set screw
3952X	Gear, 22-T pinion (32-p), heavy duty (machined, hardened steel) (fits 3mm shaft)/ set screw
6745	Gear, 9-T pinion (32-p) (steel) (fits 3mm shaft)/ set screw
8052	Spur gear, 39-tooth (32-pitch)
8053	Spur gear, 45-tooth (32-pitch)

Steering Components

8232	Caster blocks (portal drive), left & right
8232X	Caster blocks, 6061-T6 aluminum (blue-anodized), left and right

8232A	Caster blocks, 6061-T6 aluminum (charcoal gray-anodized), left and right
8232G	Caster blocks, 6061-T6 aluminum (green-anodized), left and right
8232R	Caster blocks, 6061-T6 aluminum (red-anodized), left and right
2072X	Gear set, metal (for 2070, 2075 servos)
2072R	Gear set, metal, high-speed (for 2070, 2075 servos)
8274	Hollow ball set, complete, TRX-4® (aluminum, PTFE-coated)
5355	Hollow ball, tall centered (2)/ tall offset hollow ball (2)/ bump steer adjustment shims; 3.5mm (2), 1.17mm (2)
8275	Rod end set, complete (standard (10), angled 10-degrees (8), offset (4))
8276	Rod ends (10)
8277	Rod ends, angled 10-degrees (8)
2742	Rod ends, long (6)/ hollow ball connectors (6)
8278	Rod ends, offset (4)
8247X	Servo horn, steering, metal/ 3x14 BCS (1)
2075R	Servo, digital high-speed, metal gear (ball bearing), waterproof
2250	Servo, digital high-torque 330 coreless, metal gear (ball bearing), waterproof
2255	Servo, digital high-torque 400 brushless, metal gear (ball bearing), waterproof
2075X	Servo, digital high-torque, metal gear (ball bearing), waterproof
5529	Shim set, 3x7x1mm (2), 3x6x0.5mm (4), 3x7x2mm (2)/ hollow balls, captured (4)
8246	Steering link, 5x60mm (1)/ draglink, 5x117mm (1) (steel)
8243	Suspension link, front, 5x100mm (lower) (steel) (2)
8244	Suspension link, front, 5x63mm (upper) (steel) (2)
8245	Suspension link, rear, 5x121mm (upper or lower) (steel) (2)

Suspension Linkage

8058	Chassis conversion kit, TRX-4® (long to short wheelbase) (includes rear upper & lower suspension links, front & rear inner fenders, short female half shaft, battery tray, 3x8mm FCS (4))
8057	Chassis conversion kit, TRX-4® (short to long wheelbase) (includes rear upper & lower suspension links, front & rear shock towers, long female half shaft)
8274	Hollow ball set, complete, TRX-4® (aluminum, PTFE-coated)
5355	Hollow ball, tall centered (2)/ tall offset hollow ball (2)/ bump steer adjustment shims; 3.5mm (2), 1.17mm (2)
8275	Rod end set, complete (standard (10), angled 10-degrees (8), offset (4))
8276	Rod ends (10)
8277	Rod ends, angled 10-degrees (8)
2742	Rod ends, long (6)/ hollow ball connectors (6)
8278	Rod ends, offset (4)
5529	Shim set, 3x7x1mm (2), 3x6x0.5mm (4), 3x7x2mm (2)/ hollow balls, captured (4)
8243	Suspension link, front, 5x100mm (lower) (steel) (2)
8244	Suspension link, front, 5x63mm (upper) (steel) (2)
8248	Suspension link, rear, 5x109mm (upper or lower) (steel) (2)
8245	Suspension link, rear, 5x121mm (upper or lower) (steel) (2)

Team Traxxas Items

2514	Decal sheet, racing sponsors
9950	Official Team Traxxas® racing decal set(flag logo/ 6-color)
9909	Traxxas® racing banner, red & black (3x7 feet)

Tires & Wheels

8169T	Beadlock rings, black (1.9") (aluminum) (4)/ 2x10 CS (48)
8168T	Beadlock rings, black (2.2") (aluminum) (4)/ 2x10 CS (48)
8169X	Beadlock rings, blue (1.9") (aluminum) (4)/ 2x10 CS (48)
8168X	Beadlock rings, blue (2.2") (aluminum) (4)/ 2x10 CS (48)
8169G	Beadlock rings, green (1.9") (aluminum) (4)/ 2x10 CS (48)
8168G	Beadlock rings, green (2.2") (aluminum) (4)/ 2x10 CS (48)
8169R	Beadlock rings, red (1.9") (aluminum) (4)/ 2x10 CS (48)
8168R	Beadlock rings, red (2.2") (aluminum) (4)/ 2x10 CS (48)
8169	Beadlock rings, satin (1.9") (aluminum) (4)/ 2x10 CS (48)
8168	Beadlock rings, satin (2.2") (aluminum) (4)/ 2x10 CS (48)
8164	Center caps, wheel (chrome) (4)/ decal sheet (requires #8255A extended thread stub axle)
8176	Center caps, wheel (chrome) (4)/ decal sheet (requires #8255A extended thread stub axle)
8164X	Center caps, wheel (chrome) (front (2), rear (2)) (requires #8255A extended stub axle)
1747P	Nuts, 4mm flanged nylon locking (aluminum, pink anodized) (4)
1747R	Nuts, aluminum, flanged, serrated (4mm) (blue-anodized) (4)
1747G	Nuts, aluminum, flanged, serrated (4mm) (green-anodized) (4)
1747T	Nuts, aluminum, flanged, serrated (4mm) (orange-anodized) (4)
1747A	Nuts, aluminum, flanged, serrated (4mm) (red-anodized) (4)

8174	Tires & wheels, assembled (Method Race Wheels® 105 Beadlock 1.9" black chrome beadlock wheels, Canyon Trail 4.6x1.9" tires, foam inserts) (1 left, 1 right)
8182	Tires & wheels, assembled (Method Race Wheels® 105 Beadlock 1.9" satin black chrome, blue beadlock style wheels, Canyon Trail 4.6x1.9" tires, foam inserts) (1 left, 1 right)
8166	Tires & wheels, assembled, glued (1.9" chrome wheels, Canyon Trail 4.6x1.9" tires) (2)/ center caps (2)/ decal sheet (requires #8255A extended thread stub axle)
8177	Tires & wheels, assembled, glued (1.9" chrome wheels, Canyon Trail 4.6x1.9" tires) (2)/ center caps (2)/ decal sheet (requires #8255A extended thread stub axle)
8166X	Tires & wheels, assembled, glued (1.9" chrome wheels, Canyon Trail 4.6x1.9" tires) (4)/ center caps (4)/ decal sheet (requires #8255A extended thread stub axle)
8183X	Tires & wheels, assembled, glued (1.9" classic chrome wheels, Canyon Trail 4.6x1.9" tires) (4)/ center caps (4)/ decal sheet (requires #8255A extended thread stub axle)
8184	Tires & wheels, assembled, glued (2.2" classic chrome wheels, Canyon Trail 5.3x2.2" tires, foam inserts) (2)/ center caps (front (2), rear (2)) (requires #8255A extended thread stub axle)
8273	Tires & wheels, assembled, glued (Tactical 1.9" wheels, Canyon Trail 4.6x1.9" tires) (2)
8272X	Tires & wheels, assembled, glued (TRX-4® 1.9" satin beadlock wheels, Canyon Trail 4.6x1.9" tires) (2)
8272	Tires & wheels, assembled, glued (TRX-4® 1.9" wheels, Canyon Trail 4.6x1.9" tires) (2)
8179	Tires & wheels, assembled, glued (TRX-4® Sport 1.9" wheels, Canyon Trail 4.6x1.9" tires) (2)
8181-BLUE	Tires & wheels, assembled, glued (TRX-4® Sport 2.2" gray, blue beadlock style wheels, Canyon Trail 5.3x2.2" tires) (2)
8181-GRN	Tires & wheels, assembled, glued (TRX-4® Sport 2.2" gray, green beadlock style wheels, Canyon Trail 5.3x2.2" tires) (2)
8181-RED	Tires & wheels, assembled, glued (TRX-4® Sport 2.2" gray, red beadlock style wheels, Canyon Trail 5.3x2.2" tires) (2)
8172	Tires and wheels, assembled (Method 105 2.2™ black chrome beadlock wheels, Canyon Trail 5.3x2.2™ tires, foam inserts) (1 left, 1 right) (for use with TRX-4 Long Arm Lift Kit)
8181	Tires and wheels, assembled, glued (TRX-4® Sport 2.2™ wheels, Canyon Trail 5.3x2.2™ tires) (2) (for use with TRX-4 Long Arm Lift Kit)
8270	Tires, Canyon Trail 4.6x1.9" (S1 compound)/ foam inserts (2)
8170	Tires, Canyon Trail 5.3x2.2™/ foam inserts (2) (for use with TRX-4 Long-Arm Lift Kit)
8269	Wheel hubs, 12mm hex (2)/ stub axle pins (2) (steel)
8269X	Wheel hubs, 12mm hex, 6061-T6 aluminum (blue-anodized) (4)/ 3x10 screw pin (4)
8269A	Wheel hubs, 12mm hex, 6061-T6 aluminum (charcoal gray-anodized) (4)/ 3x10 screw pin (4)
8269G	Wheel hubs, 12mm hex, 6061-T6 aluminum (green-anodized) (4)/ 3x10 screw pin (4)
8269R	Wheel hubs, 12mm hex, 6061-T6 aluminum (red-anodized) (4)/ 3x10 screw pin (4)
8175	Wheels, 1.9", chrome (2)/ center caps (2)/ decal sheet (requires #8255A extended thread stub axle)
8165	Wheels, 1.9", chrome (2)/ center caps (2)/ decal sheet (requires #8255A extended thread stub axle)
8173	Wheels, 1.9", Method Race Wheels® 105 Beadlock (black chrome, beadlock) (beadlock rings sold separately)
8173A	Wheels, 1.9", Method Race Wheels® 105 Beadlock (charcoal gray, beadlock) (beadlock rings sold separately)
8171	Wheels, Method 105 2.2" (black chrome, beadlock) (beadlock rings sold separately) (for use with TRX-4 Long Arm Lift Kit)
8171A	Wheels, Method 105 2.2" (charcoal gray, beadlock) (beadlock rings sold separately) (for use with TRX-4 Long Arm Lift Kit)
8180	Wheels, TRX-4 Sport 2.2 (2) (for use with TRX-4 Long Arm Lift Kit)
8271	Wheels, TRX-4® 1.9 (2)
8271X	Wheels, TRX-4® 1.9 (satin beadlock) (2)
8178	Wheels, TRX-4® Sport 1.9 (2)
8180-BLUE	Wheels, TRX-4® Sport 2.2 (gray, blue beadlock style) (2)
8180-GRN	Wheels, TRX-4® Sport 2.2 (gray, green beadlock style) (2)
8180-RED	Wheels, TRX-4® Sport 2.2 (gray, red beadlock style) (2)
8268	Wheels, TRX-4® Tactical 1.9 (2)

Transmission Components

8283	Cable, T-lock (front)
8284	Cable, T-lock (rear)
9283	Cable, T-lock, rear (185mm)
8195	Differential, locking, front and rear (assembled) (includes T-Lock cables and servos)
8289	Drive hub, 2-speed/ shift dog/ shift fork/ 2-speed linkage
8293X	Gear set, transmission, metal (includes 18T, 30T input gears, 36T output gear, 2x9.8 pins (5))

Page 7 TRX-4® Chevrolet® K10 High Trail Edition™: TQi™ Traxxas Link™ Enabled 2.4GHz Radio (Model 92056-4) Parts List

8291	Gearbox housing (includes main housing, front housing, & cover)	8884	Traxx®, rear, right (assembled) (requires #8887 stub axle, #7061 GTR shock, & #8896 rubber track)
8285	Gears, transfer case (3)		
5041	Grease, premium high performance (20cc)	8880	Traxx®, TRX-4® (4) (complete set, front & rear)
8292	Input shaft/ output shaft (transmission)	8895	Treads, All-Terrain, TRX-4® Traxx® (front, left or right) (rubber) (1)
8290X	Motor mount plate, 6061-T6 aluminum (blue-anodized)		
8290A	Motor mount plate, 6061-T6 aluminum (charcoal gray-anodized)	8896	Treads, All-Terrain, TRX-4® Traxx® (rear, left or right) (rubber) (1)
8290G	Motor mount plate, 6061-T6 aluminum (green-anodized)		
8290R	Motor mount plate, 6061-T6 aluminum (red-anodized)		
8295	Output drive, transmission or differential (pin retainer (1)/ drive cup (1)/ drive ball (1)/ drive pin (1)/ 3x10 screw pin (1)/ cross pin (black) (1) 3x6 BCS with threadlock (1))		
8294	Output gear, high range, 24T (metal)		
8286	Output shafts (transfer case), front & rear		
8290	Plate, motor/ upper spur gear cover		
8249	Slipper eliminator plate		
8296	Transmission gears, single speed, metal		
8196	Two speed conversion kit		

If you have questions or need technical assistance, call Traxxas at:

1-888-TRAXXAS

(1-888-872-9927) (U.S. residents only)

For orders, calls outside the U.S., and other information, call 972-549-3000, or fax to 972-549-3011 e-mail Traxxas at support@Traxxas.com

TRAXXAS.COM

Traxxas Tools

3433X	Body reamer (aluminum handle)
3433	Body reamer (plastic handle)
3436	Cap, body reamer
3432	Scissors, curved tip
3431	Scissors, straight tip
8712	Speed Bit Essentials Set, hex and nut driver, 7-piece, includes premium handle (medium), travel pouch, hex drivers (straight: 1.5mm, 2.0mm, 2.5mm) and nut drivers (5.0mm, 5.5mm, 7.0mm, and 8.0mm), 1/4" drive
8720	Speed bit handle, large (overmolded)
8721	Speed bit handle, medium (one piece)
8722	Speed bit handle, premium (rubber overmold)
8710	Speed Bit Master Set, hex and nut driver, 13-piece, includes premium handle (medium), travel pouch, hex drivers (straight: 1.5mm, 2.0mm, 2.5mm, 3.0mm), (ball-end: 2.0mm, 2.5mm, 3.0mm), and nut drivers (4.0mm, 4.5mm, 5.0mm, 5.5mm, 7.0mm, 8.0mm), 1/4" drive
8711	Speed Bit Master Set, hex driver, 7-piece straight and ball end, includes premium handle (medium), travel pouch, hex drivers (straight: 1.5mm, 2.0mm, 2.5mm, 3.0mm) (ball end: 2.0mm, 2.5mm, 3.0mm), 1/4" drive
8719	Speed Bit Master Set, nut driver, 6-piece, includes premium handle (medium), travel pouch, and nut drivers (4.0mm, 4.5mm, 5.0mm, 5.5mm, 7.0mm, 8.0mm), 1/4" drive
8716	Speed Bit Set, hex driver, 2-piece ball-end (2.0mm, 2.5mm), 1/4" drive
8716X	Speed Bit Set, hex driver, 3-piece ball-end (2.0mm, 2.5mm, 3.0mm) 1/4" drive
8715	Speed Bit Set, hex driver, 3-piece straight (1.5mm, 2.0mm, 2.5mm), 1/4" drive
8715X	Speed Bit Set, hex driver, 4-piece straight (1.5mm, 2.0mm, 2.5mm, 3.0mm), 1/4" drive
8714	Speed Bit Set, screwdriver, 3-piece straight (3mm slotted, #1 Phillips, and #2 Phillips bits), 1/4" drive
2748R	Tool set (includes 1.5mm hex wrench / 2.0mm hex wrench / 2.5mm hex wrench/ 4-way wrench/ 8mm & 4mm wrench/ U-joint wrench)
3415	Tool set with pouch (includes 1.5mm, 2.0mm, 2.5mm, 3.0mm, 3.5mm, 4mm drivers/4mm, 5mm, 5.5mm, 7mm, and 8mm nut drivers/ 2mm, 3mm, and 4mm slotted screwdrivers/ #00 Phillips, #0 Phillips, and #1 Phillips screwdrivers/ 4mm and 8mm wrenches/ driver handle)

TRX-4® Traxx®

8889	Bearing retainers, inner (2)/ outer (2)
8890	Drive wheel (1)
8885	Shock mounts (frame, left (2), frame, right (2))/ portal mounts (1 each, front (left & right), rear (left & right))
8888	Spring (4)
8887	Stub axle (1)
8886	Stub axle nut (4)
8891	Tension wheels (6)/ road wheels (4)
8881	Traxx®, front, left (assembled) (requires #8887 stub axle, #7061 GTR shock, & #8895 rubber track)
8882	Traxx®, front, right (assembled) (requires #8887 stub axle, #7061 GTR shock, & #8895 rubber track)
8883	Traxx®, rear, left (assembled) (requires #8887 stub axle, #7061 GTR shock, & #8896 rubber track)